

INTERCONNECTS

SERIES 800 & 801 • .100" GRID (.030" DIA. PINS), STRAIGHT & RIGHT ANGLE HEADERS AND SOCKETS • SINGLE ROW STRIPS

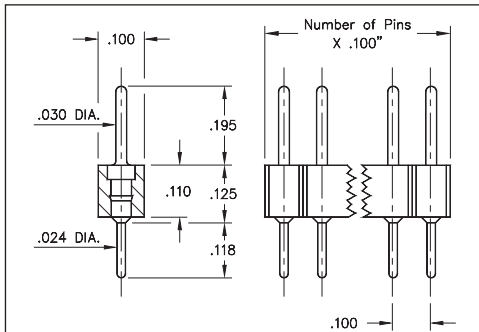


FIG. 1

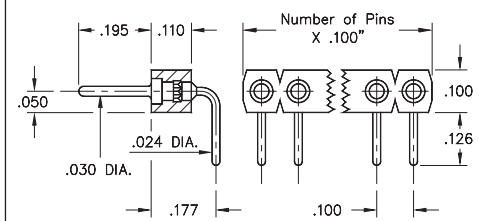


FIG. 2

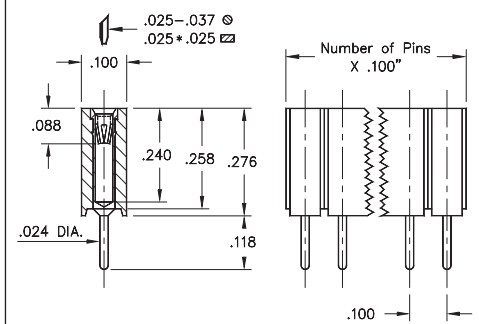


FIG. 3

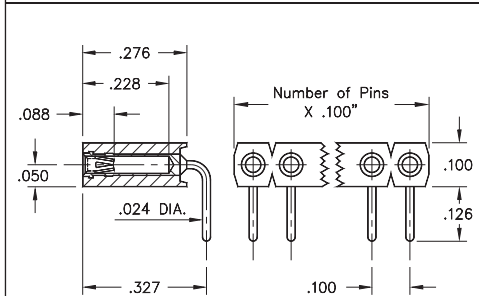
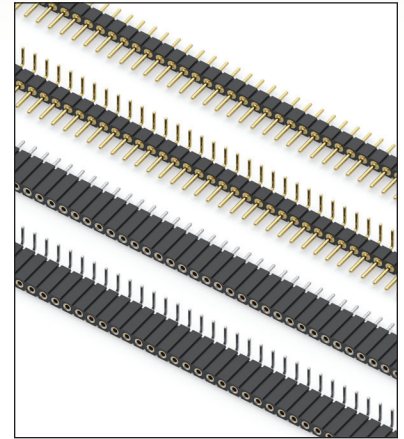


FIG. 4

- Pin interconnects available with straight MM #7007 or right angle MM #5005 solder tails. See page 215 for details
- Sockets are available with straight MM #1304 or right angle MM #1305 soldertails. See pages 177 and 179 for details
- MM #1304 and MM #1305 receptacles use Hi-Rel, 6-finger BeCu #47 contact rated at 4.5 amps. Receptacles accept .030" diameter and .025" square pins. See page 256 for details
- Insulators are high temperature thermoplastic, suitable for all soldering operations



ORDERING INFORMATION

FIG. 1	Series 800...10-001		Straight Pin Header	
	Specify number of pins	800-XX-0	-10-001000	01-64
FIG. 2	Series 800...20-001		Right Angle Pin Header	
	Specify number of pins	800-XX-0	-20-001000	02-64
<div style="display: flex; justify-content: space-around; align-items: center;"> <div style="border: 1px solid black; padding: 5px; background-color: #d4edda;">RoHS - 2 2011/65/EU</div> <div style="border: 1px solid black; border-radius: 50%; padding: 5px;">XX=Plating Code See Below</div> <div style="border: 1px solid black; border-radius: 50%; padding: 5px;">For Electrical, Mechanical & Environmental Data, See page 264</div> </div>				
SPECIFY PLATING CODE XX=		10	90	40
Pin Plating		10 μ" Au	200 μ" Sn/Pb	200 μ" Sn

FIG. 3	Series 801...10-001		Straight Socket					
	Specify number of pins	801-XX-0	-10-001000	01-50				
FIG. 4	Series 801...20-001		Right Angle Socket					
	Specify number of pins	801-XX-0	-20-001000	01-50				
<div style="display: flex; justify-content: space-around; align-items: center;"> <div style="border: 1px solid black; padding: 5px; background-color: #d4edda;">RoHS - 2 2011/65/EU</div> <div style="border: 1px solid black; border-radius: 50%; padding: 5px;">XX=Plating Code See Below</div> <div style="border: 1px solid black; border-radius: 50%; padding: 5px;">For Electrical, Mechanical & Environmental Data, See page 264</div> </div>								
SPECIFY PLATING CODE XX=		91	93	99	41	43	44	47
Sleeve (Pin)		200 μ" Sn/Pb	200 μ" Sn/Pb	200 μ" Sn/Pb	200 μ" Sn	200 μ" Sn	200 μ" Sn	200 μ" Sn
Contact (Clip)		10 μ" Au	30 μ" Au	100 μ" Sn/Pb	10 μ" Au	30 μ" Au	100 μ" Sn	Au Flash

★ 44 Plating Non-Standard



Mouser Electronics

Authorized Distributor

Click to View Pricing, Inventory, Delivery & Lifecycle Information:

Mill-Max:

[801-99-050-20-001000](#) [801-99-050-10-001000](#) [801-99-036-10-001000](#) [801-93-036-10-001000](#) [800-90-064-20-001000](#) [800-90-064-10-001000](#) [800-90-020-20-001000](#) [800-90-020-10-001000](#) [800-10-020-20-001000](#) [800-10-020-10-001000](#) [800-10-064-20-001000](#) [800-90-010-20-001000](#) [800-10-002-10-001000](#) [801-93-050-10-001000](#) [801-93-003-10-001000](#) [801-93-001-10-001000](#) [801-93-014-10-001000](#) [800-10-012-10-001000](#) [800-10-016-10-001000](#) [800-10-010-10-001000](#) [801-93-011-20-001000](#) [801-93-010-10-001000](#) [801-93-011-10-001000](#) [801-93-004-20-001000](#) [801-93-002-10-001000](#) [801-93-050-20-001000](#) [801-99-036-20-001000](#) [801-93-020-10-001000](#) [801-43-036-20-001000](#) [801-43-036-10-001000](#) [800-40-064-20-001000](#) [800-40-064-10-001000](#) [800-40-020-20-001000](#) [800-40-020-10-001000](#) [801-41-020-10-001000](#) [800-10-004-20-001000](#) [800-10-064-10-001000](#) [800-10-008-10-001000](#) [800-10-002-20-001000](#) [801-93-036-20-001000](#) [801-43-050-20-001000](#) [801-43-050-10-001000](#) [800-40-015-20-001000](#) [800-90-040-10-001000](#) [800-10-014-10-001000](#) [801-93-002-20-001000](#)