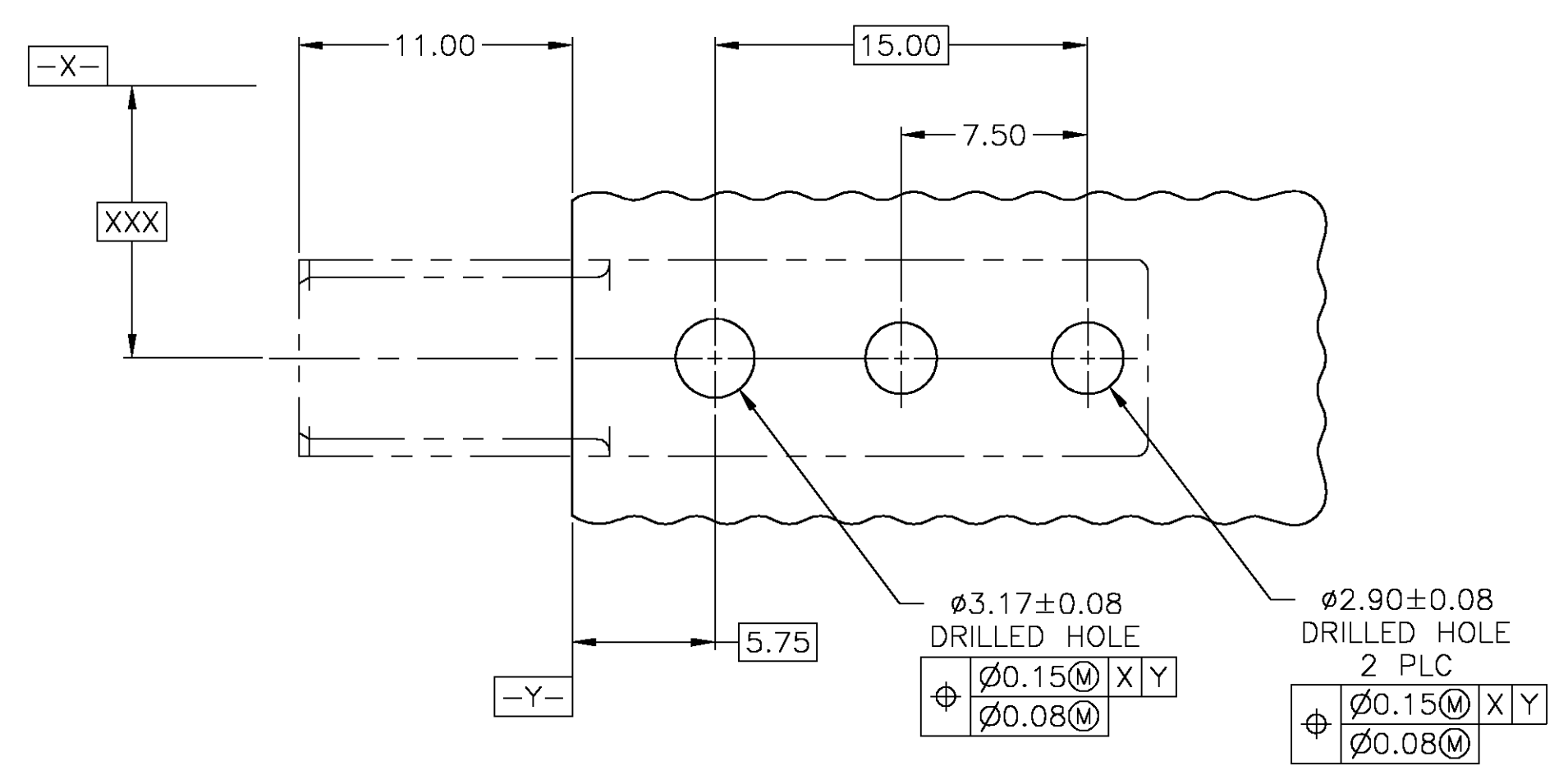
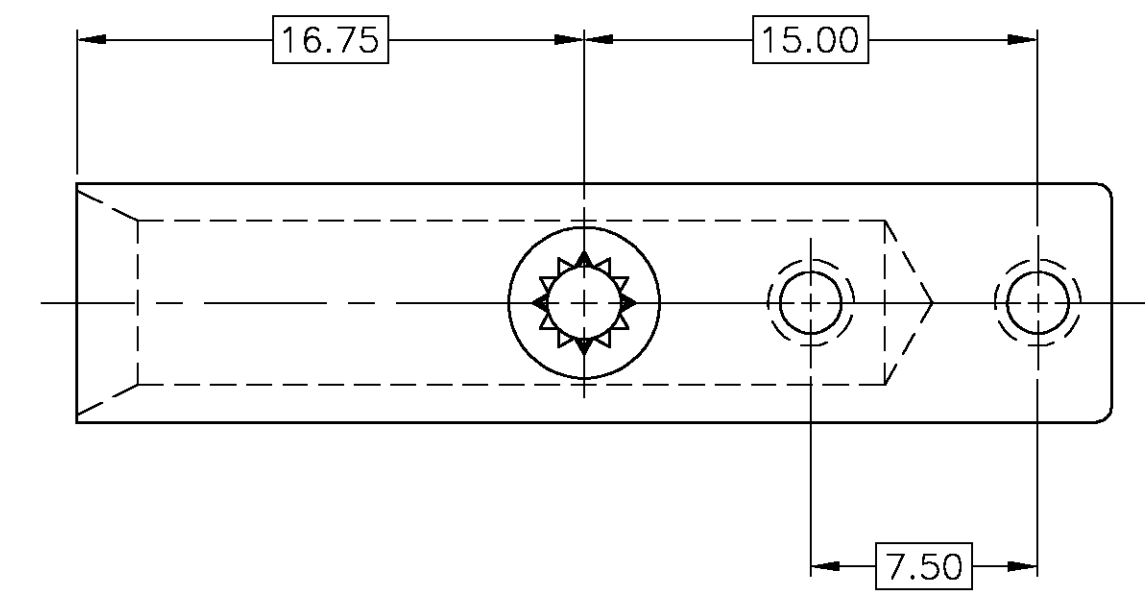
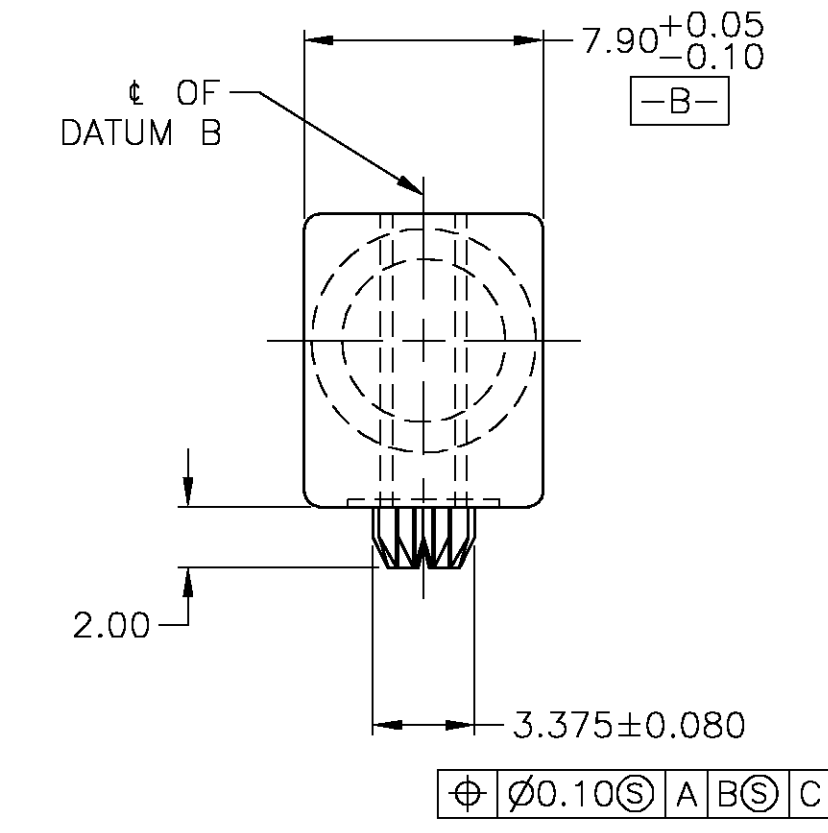
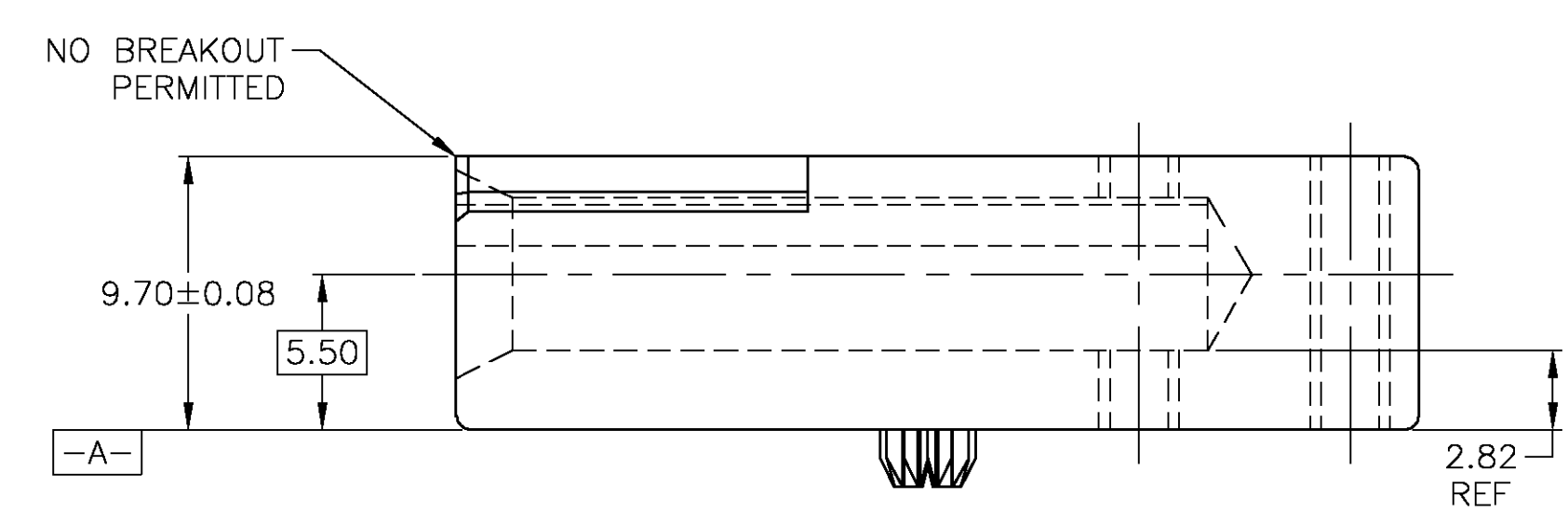
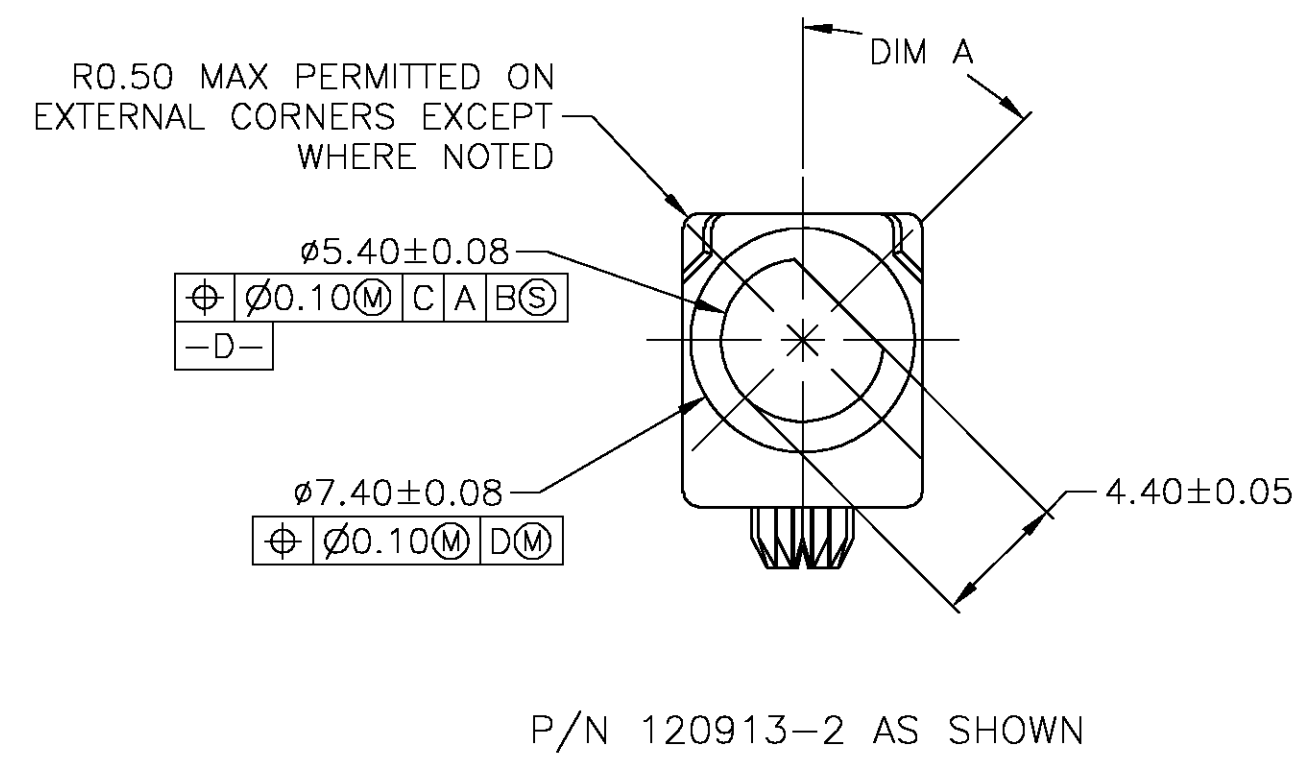


1 MATERIAL: ZINC ALLOY DIE CASTING.  
 2 SURFACE FINISH: CHROMATE CONVERSION COATING. (ROHS COMPATIBLE).



FOOT PRINT

KEYING POSN	DIM A	PART NUMBER
8	315'	5120913-8
7	270'	5120913-7
6	225'	5120913-6
5	180'	5120913-5
4	135'	5120913-4
3	90'	5120913-3
2	45'	5120913-2
1	0'	5120913-1

THIS DRAWING IS A CONTROLLED DOCUMENT.

DIMENSIONS:	TOLERANCES UNLESS OTHERWISE SPECIFIED:	DIN J. POLIGNONE DSAPROS	tyco Electronics	Tyco Electronics Corporation Harrisburg, PA, 17105-3608
MM	0 PLC ± - 1 PLC ± - 2 PLC ± 0.13 3 PLC ± - 4 PLC ± - ANGLES ± -	CHK R. PATTERSON DSAPROS	NAME R. PATTERSON DSAPROS	MODULE, FEMALE, UNIVERSAL POWER MODULE
		APPRO APPLICATION SPEC	SIZE A1	CAGE CODE 00779
MATERIAL	FINISH	WEIGHT	DRAWING NO. C=5120913	RESTRICTED TO
1	2	-	CUSTOMER DRAWING	SCALE 4:1 SHEET 1 OF 1 REV 0

# Mouser Electronics

Authorized Distributor

Click to View Pricing, Inventory, Delivery & Lifecycle Information:

[TE Connectivity:](#)

[5120913-8](#)