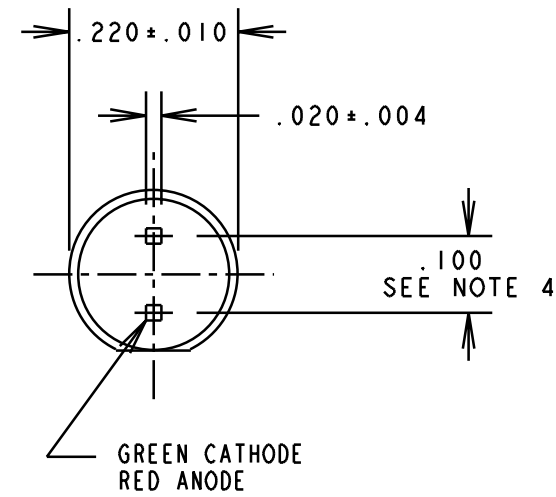
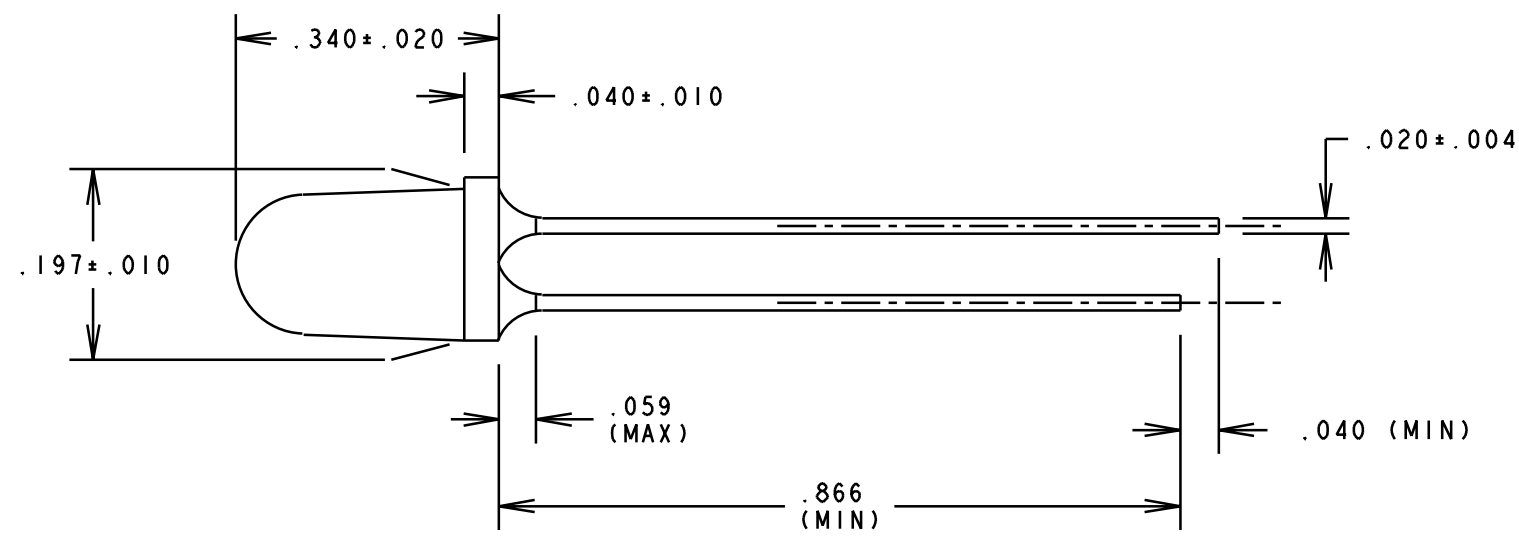


REV.	ECN NO.	REVISIONS	DRN.	CKD.	APP.	DATE
A	—	NEW RELEASE	KD		N.S.	6-17-92
B	—	ADDED NOTE 4 AND NOTE 5; TOLERANCES; MENISCUS; REVISED ELECTRICAL SPECS. TO 9651-16 L.E.D. I	DC		H.G.	10-12-95
C	—	CHANGED NOTE 1. "... 515-0004 SNAP-IN MOUNT" TO "... 515-0005 SNAP-IN MOUNT." CHANGED LUMINOUS INTENSITY: RED MIN. 14 TO 29, GREEN 9 TO 12.6; RED TYP. 60 TO 90; GREEN TYP. 20 TO 40. VIEWING ANGLE FROM 80° TO 60°. DERATE LINEARLY FROM 25° C TO 50° C. ADDED TITLE NAME & NOTE 6. REMOVED "+ FOR RED EMISSION" & "FOR GREEN EMISSION" FROM INTERNAL CIRCUIT DIAGRAM.	DC			



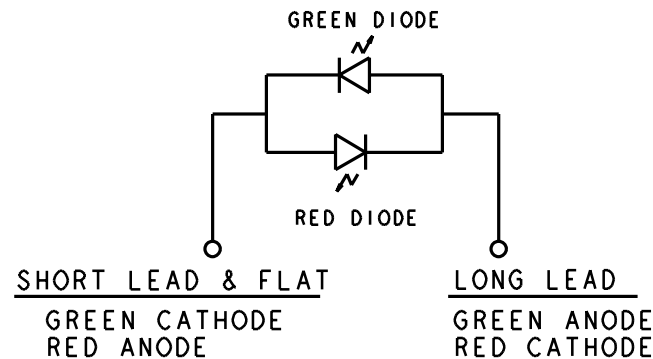
OPERATING CHARACTERISTICS AT 25° C AMBIENT

LED CHARACTERISTICS	COLOR	MIN.	TYP.	MAX.	UNITS	TEST CONDITIONS
LUMINOUS INTENSITY	RED GREEN	29 12.6	90 40		mcd	$I_f = 20 \text{ mA}$
FORWARD VOLTAGE	RED GREEN		1.8 2.1	2.4 2.8	V	$I_f = 20 \text{ mA}$
REVERSE CURRENT	RED GREEN			100	μA	$V_R = 5 \text{ V}$
PEAK WAVELENGTH (λ_p)	RED GREEN		660 565		nm	
VIEWING ANGLE (2 θ 1/2)	RED GREEN		60		deg.	
CAPACITANCE	RED GREEN		30 35		pF	$V_f = 0; f = 1 \text{ MHz}$

ABSOLUTE MAXIMUM RATINGS AT 25° C AMBIENT

	RED	GREEN	UNITS
POWER DISSIPATION	100	100	mW
DERATE LINEARLY FROM 50° C	0.5	0.4	mA/°C
CONTINUOUS FORWARD CURRENT	40	30	mA
PEAK FORWARD CURRENT (1/10 DUTY CYCLE, 0.1 ms PULSE WIDTH)	200	120	mA
REVERSE VOLTAGE	4	5	V
LEAD SOLDERING TEMPERATURE, 5 SEC., 1/16" FROM BODY	260		°C
OPERATING TEMPERATURE	-55 TO +100		°C
STORAGE TEMPERATURE	-55 TO +100		°C

INTERNAL CIRCUIT



NOTES:

- PANEL MOUNTING - ORDER 515-0005 SNAP-IN MOUNT.
- GaP GREEN/RED AlGaAs
- WHITE DIFFUSED EPOXY BODY.
- LEADS SPACING MEASURED NEAR EPOXY PACKAGE.
- SOLDER DIP MILD STEEL LEADS.
- DIALIGHT PART NO. 521-9462

THIS DRAWING AND THE CONTENTS HEREIN ARE CONFIDENTIAL AND THE SOLE PROPERTY OF DIALIGHT. REPRODUCTION OF THIS DRAWING OR CONSTRUCTION OF ANY PARTS WITHIN THIS DRAWING ARE FORBIDDEN WITHOUT THE WRITTEN CONSENT OF DIALIGHT.		
SCALE 4:1	DRAWING NUMBER	REV
ALL DIM'S IN: INCHES	C-15682	C
TOLERANCES: UNLESS OTHERWISE SPECIFIED	TITLE 5mm R/G BI-COLOR LED	
FRACTIONS: $\pm 1/64$	MATERIAL	
DECIMALS (.XX): $\pm .02$	Dialight	
DECIMALS (.XXX): $\pm .015$	1913 ATLANTIC AVE. MANASQUAN, N.J. 08736	
ANGLES: $\pm 3^\circ$	SHEET 1 OF 1	
FINISH:	FAMILY TABLE:	
FSCM 83330		

Mouser Electronics

Authorized Distributor

Click to View Pricing, Inventory, Delivery & Lifecycle Information:

[Dialight:](#)

[521-9462F](#)