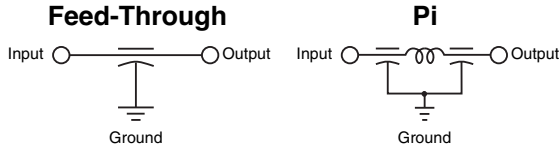
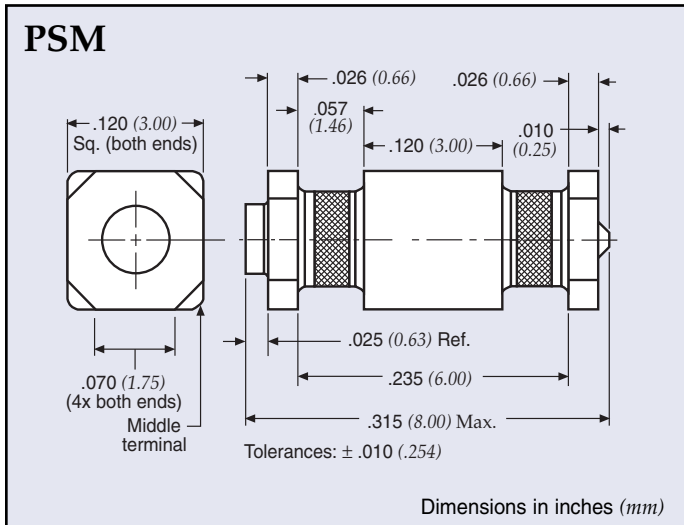


Surface Mount Low Pass Filters PSM Series

PSM

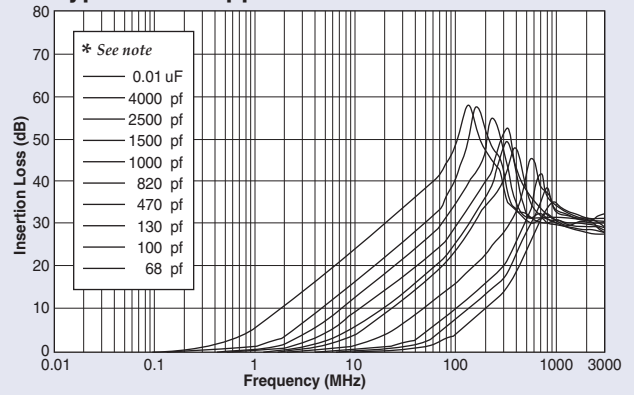


Voltage Rating DC 200 VDC @ -55°C to +125°C
 DWV 700 VDC
 Current Rating 20 Amps (Feed-through) max.
 10 Amps (Pi) max.
 Insulation Resistance 1.0 GΩ @ 25°C
 Dissipation Factor 4.0% maximum
 D.C.R. Max. .0005Ω, typ. .0002Ω

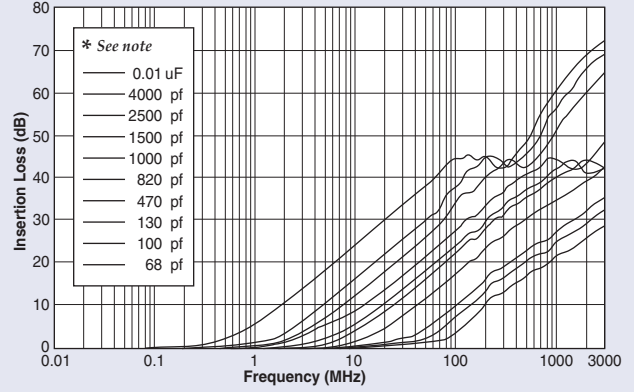


Feed-Through Insertion Loss

Typical SMT Applications



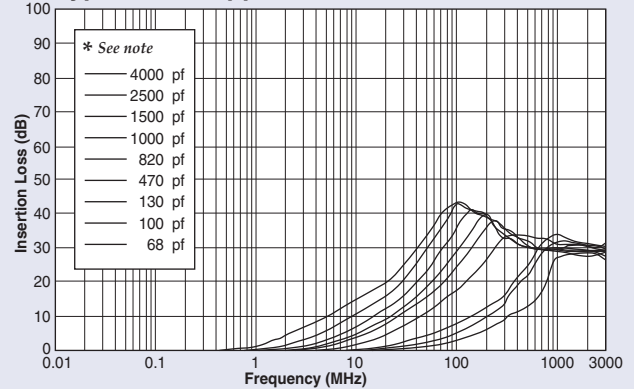
Shielded or Partition Applications



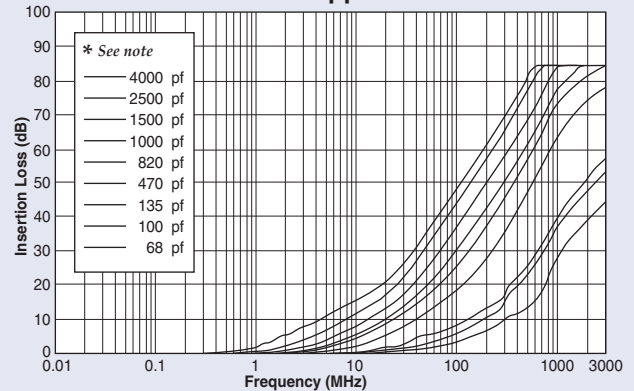
* Capacitance values for insertion loss curves are displayed left to right in the order shown.

Pi Insertion Loss

Typical SMT Applications



Shielded or Partition Applications



Surface Mount Low Pass Filters PSM Series

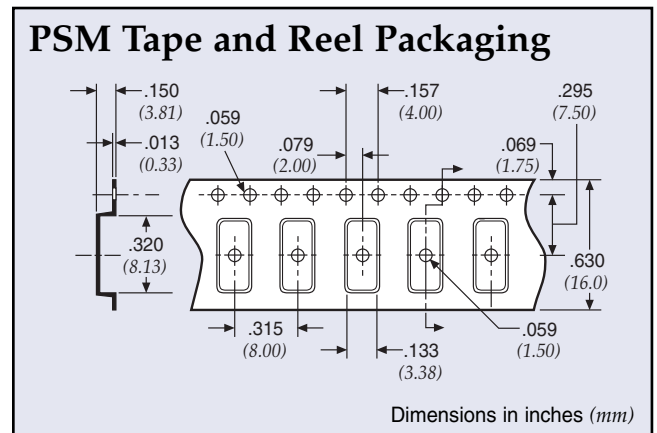
PSM Ordering Information

Example: **PSM4-402Z-20T0**

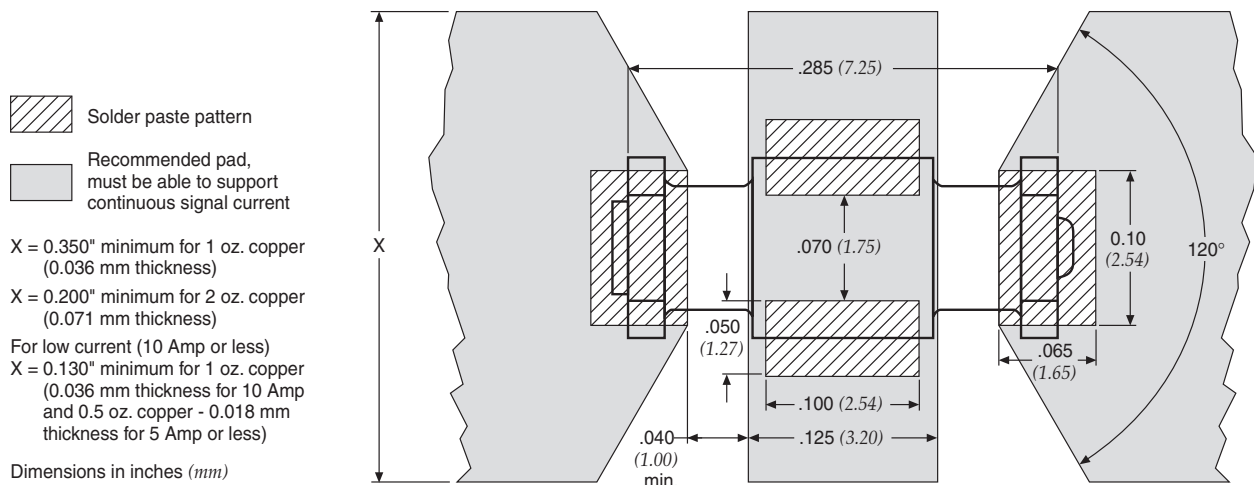
PSM	4	-	402Z	-	20	T	0																																	
Style	Circuit Configuration		Capacitance		Current Rating	Packaging	Tape and Reel																																	
PSM (Power)	1 - Pi 4 - Feed-through		<table border="1"> <thead> <tr> <th>Code</th> <th>Value*</th> <th>Tolerance</th> </tr> </thead> <tbody> <tr><td>680M</td><td>68 pF</td><td>±20%</td></tr> <tr><td>101M</td><td>100 pF</td><td>±20%</td></tr> <tr><td>131P</td><td>130 pF</td><td>+100/-0%</td></tr> <tr><td>471P</td><td>470 pF</td><td>+100/-0%</td></tr> <tr><td>821M</td><td>820 pF</td><td>±20%</td></tr> <tr><td>102M</td><td>1000 pF</td><td>±20%</td></tr> <tr><td>152M</td><td>1500 pF</td><td>±20%</td></tr> <tr><td>252P</td><td>2500 pF</td><td>+100/-0%</td></tr> <tr><td>402Z</td><td>4000 pF</td><td>+80/20%</td></tr> <tr><td>103Z**</td><td>.01 μF</td><td>+80/-20%</td></tr> </tbody> </table>	Code	Value*	Tolerance	680M	68 pF	±20%	101M	100 pF	±20%	131P	130 pF	+100/-0%	471P	470 pF	+100/-0%	821M	820 pF	±20%	102M	1000 pF	±20%	152M	1500 pF	±20%	252P	2500 pF	+100/-0%	402Z	4000 pF	+80/20%	103Z**	.01 μF	+80/-20%		10 - 10 Amps (Pi) 20 - 20 Amps (Feed-through)	T - Tape and reel packaging B - Bulk packaging	0 - 500 pieces 2 - 2,000 pieces <i>Note: Tape and reel packaging - 500 pieces (7") and 2,000 pieces (13")</i>
Code	Value*	Tolerance																																						
680M	68 pF	±20%																																						
101M	100 pF	±20%																																						
131P	130 pF	+100/-0%																																						
471P	470 pF	+100/-0%																																						
821M	820 pF	±20%																																						
102M	1000 pF	±20%																																						
152M	1500 pF	±20%																																						
252P	2500 pF	+100/-0%																																						
402Z	4000 pF	+80/20%																																						
103Z**	.01 μF	+80/-20%																																						
<p>† Also available through API's authorized distributors.</p> <p>* Other capacitance values available as special order. ** Available in Feed-through circuit only.</p>																																								

Technical Notes

- Soldering recommendations supplied upon request
- Reflow temperature limit is 250°C
- Unit weight is approximately 0.4 grams
- Tape and reel packaging available for automated assembly



PSM Recommended Board Pattern



Mouser Electronics

Authorized Distributor

Click to View Pricing, Inventory, Delivery & Lifecycle Information:

API Technologies:

[PSM1-402Z-05T](#) [PSM4-402Z-05T](#) [PSM1-101M-05T0](#) [PSM1-102M-05T0](#) [PSM1-102M-02T0](#) [PSM1-102M-10T0](#)
[PSM1-252P-05T0](#) [PSM1-402Z-02B](#) [PSM1-402Z-10B](#) [PSM1-402Z-10T0](#) [PSM1-471P-10T0](#) [PSM1F-101M-05T0](#)
[PSM1F-102M-02T0](#) [PSM1F-102M-05T0](#) [PSM1F-252P-02T0](#) [PSM4-102M-20T0](#) [PSM4F-102M-20B](#) [PSM4F-103Z-](#)
[20T0](#) [PSM4F-152M-20T0](#) [PSM1-252P-10B](#) [PSM1-252P-02T0](#) [PSM4-152M-20T0](#) [PSM4-102M-20T](#) [PSM4-152M-20T](#)
[PSM4-102M-20B](#) [PSM4-103Z-20T0](#) [PSM1F-471P-10T0](#) [PSM1-402Z-05T2](#) [PSM1-101M-05T2](#) [PSM1-101M-10T0](#)
[PSM1-101M-10T2](#) [PSM1F-152M-10T0](#) [PSM1-402Z-10T2](#) [PSM4F-152M-10T0](#) [PSM1F-821M-10B](#) [PSM4-101M-20T0](#)
[PSM4F-101M-20T0](#) [PSM4F-252P-20T0](#) [PSM4-103Z-20T0-L](#) [PSM1F-252P-10T0](#) [PSM1F-680M-10T0](#) [PSM4-103Z-](#)
[20B](#) [PSM1-821M-10B](#) [PSM4-252P-20B](#) [PSM1F-101M-10B](#) [PSM4F-102M-10B](#) [PSM4F-103Z-10B](#) [PSM4F-252P-10B](#)
[PSM4F-402Z-10B](#) [PSM4F-821M-10B](#) [PSM1-152M-10B](#) [PSM4-152M-20B](#) [PSM1F-102M-10T0](#) [PSM1-101M-02B](#)
[PSM1-101M-02T2](#) [PSM1-101M-05B](#) [PSM1-101M-10B](#) [PSM1-102M-02B](#) [PSM1-102M-02T2](#) [PSM1-102M-05B](#)
[PSM1-102M-05T2](#) [PSM1-102M-10T2](#) [PSM1-131P-02B](#) [PSM1-131P-02T0](#) [PSM1-131P-02T2](#) [PSM1-131P-05B](#)
[PSM1-131P-05T0](#) [PSM1-131P-05T2](#) [PSM1-131P-10B](#) [PSM1-131P-10T0](#) [PSM1-131P-10T2](#) [PSM1-152M-02B](#)
[PSM1-152M-02T0](#) [PSM1-152M-02T2](#) [PSM1-152M-05B](#) [PSM1-152M-05T0](#) [PSM1-152M-05T2](#) [PSM1-152M-10T0](#)
[PSM1-152M-10T2](#) [PSM1-252P-02B](#) [PSM1-252P-02T2](#) [PSM1-252P-05B](#) [PSM1-252P-05T2](#) [PSM1-252P-10T2](#)
[PSM1-402Z-02T2](#) [PSM1-402Z-05B](#) [PSM1-402Z-20B](#) [PSM1-402Z-20T0](#) [PSM1-402Z-20T2](#) [PSM1-471P-02B](#) [PSM1-](#)
[471P-02T0](#) [PSM1-471P-02T2](#) [PSM1-471P-05B](#) [PSM1-471P-05T0](#) [PSM1-471P-05T2](#) [PSM1-471P-10B](#) [PSM1-471P-](#)
[10T2](#) [PSM1-680M-02B](#) [PSM1-680M-02T2](#) [PSM1-680M-05B](#)