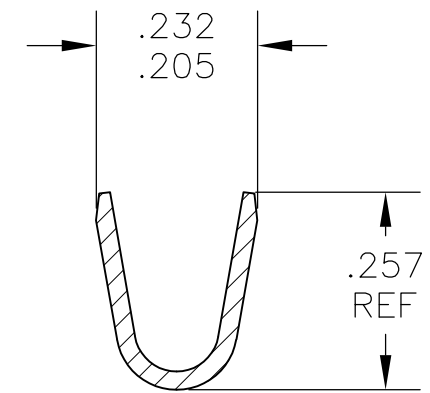
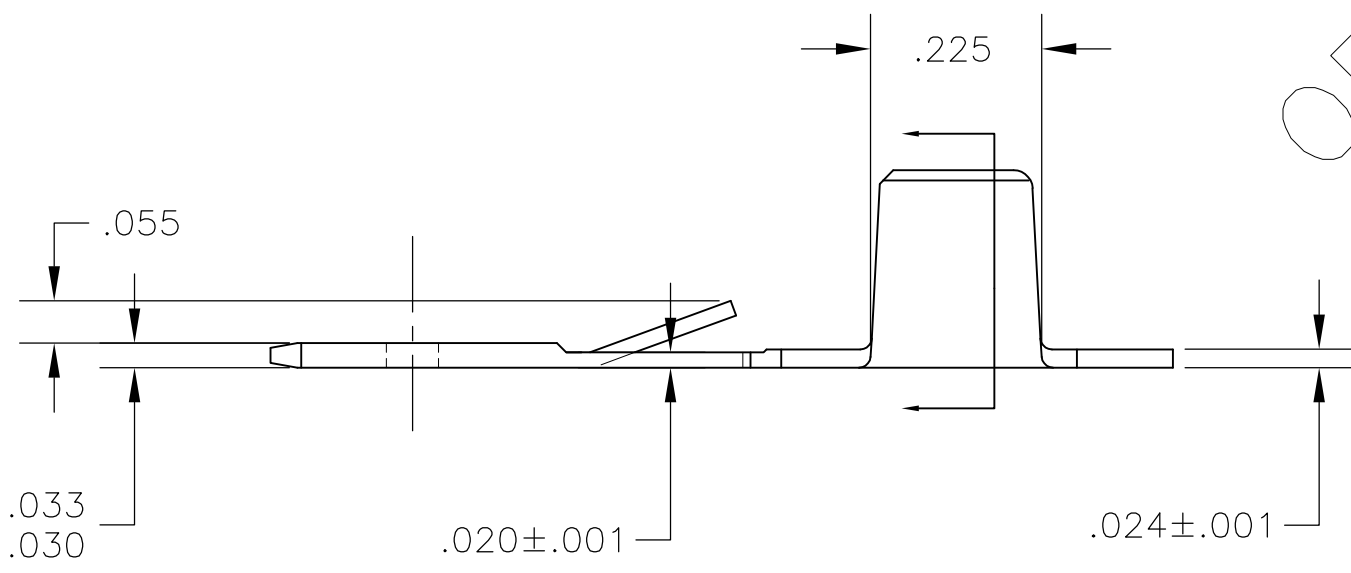
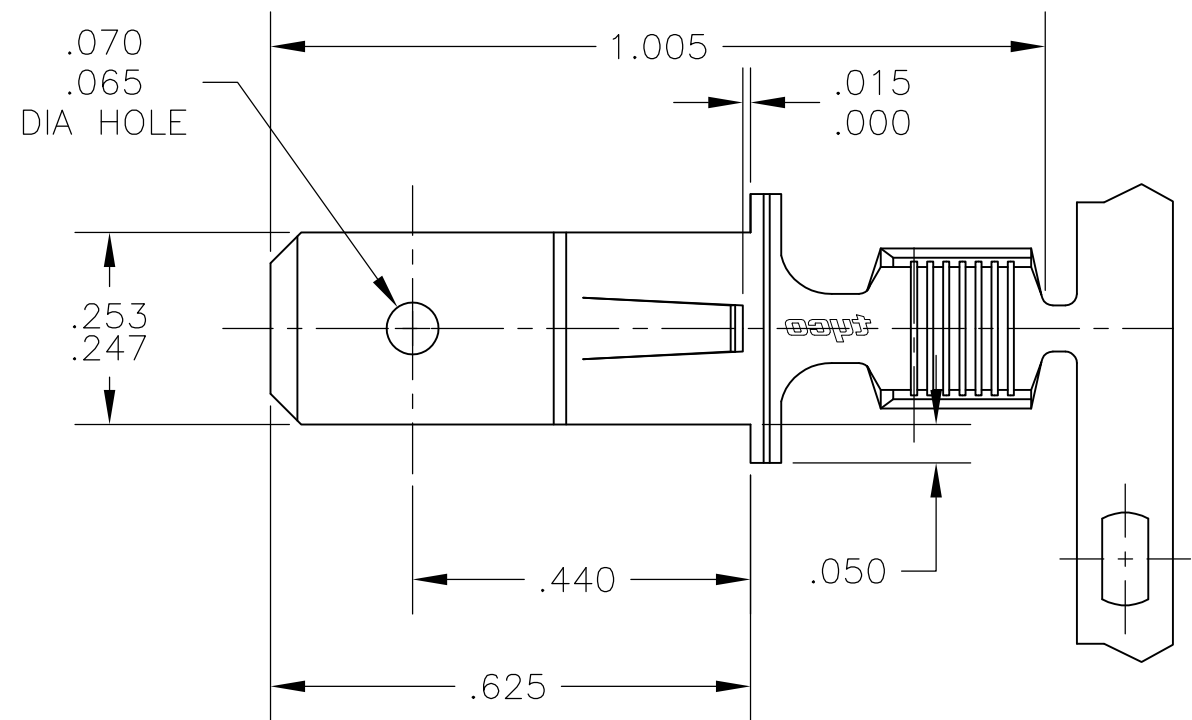


THIS DRAWING IS UNPUBLISHED. RELEASED FOR PUBLICATION
 © COPYRIGHT - By - ALL RIGHTS RESERVED.

REVISIONS				
P	LTR	DESCRIPTION	DATE	APVD
	B1	ECR-17-006546	12MAY2017	GG TD

- 1 CONTINUOUS STRIP ON REELS
- 2 WIRE SIZE 7,000 - 13,000 CMA
- 3 CRIMP INFO: .180 WIDTH, F TYPE
 CRIMP HT ($\pm .002$) = (TOTAL CMA + 22,200)/304,500



OBSOLETE

1742266-1
 PART NO

THIS DRAWING IS A CONTROLLED DOCUMENT.		DWN jr_ruth 11APR05	TE Connectivity		
DIMENSIONS: INCHES		CHK K RANDOLPH 11APR05			
		TOLERANCES UNLESS OTHERWISE SPECIFIED:		APVD K RANDOLPH 11APR05 PRODUCT SPEC	
		0 PLC ± - 1 PLC ± - 2 PLC ± - 3 PLC ± .010 4 PLC ± - ANGLES ± 5°		APPLICATION SPEC 114-2146	
MATERIAL BRASS		FINISH .000080 MIN TIN		WEIGHT 0.000000 SIZE A3	
CUSTOMER DRAWING				CAGE CODE 00779 DRAWING NO 1742266 RESTRICTED TO -	
			SCALE 4:1	SHEET 1 OF 1	REV B1