

Shield connection terminal block - SK 14 - 3025176

Please be informed that the data shown in this PDF Document is generated from our Online Catalog. Please find the complete data in the user's documentation. Our General Terms of Use for Downloads are valid (<http://phoenixcontact.com/download>)




Shield connection clamp, for shield on busbars, contact resistance < 1 mΩ

Product Features

- Easy handling
- Spring-loaded, large-surface pressure plate
- Suitable for direct and busbar mounting
- Knurled screw



Key Commercial Data

Packing unit	1 pc
Minimum order quantity	10 pc
GTIN	 4 017918 130305
Weight per Piece (excluding packing)	20.3 g
Custom tariff number	85369010
Country of origin	Germany

Technical data

General

Number of levels	1
Number of connections	1
Cable diameter	3 mm ... 14 mm
Color	silver

Dimensions

Length	19.5 mm
--------	---------

Shield connection terminal block - SK 14 - 3025176

Technical data

Dimensions

Width	17 mm
Height	59.30 mm

Connection data

Screw thread	M4
Tightening torque max	0.8 Nm
Connection method	Screw connection

Classifications

eCl@ss

eCl@ss 4.0	27141131
eCl@ss 4.1	27141131
eCl@ss 5.0	27141131
eCl@ss 5.1	27141131
eCl@ss 6.0	27141150
eCl@ss 7.0	27141150
eCl@ss 8.0	27141150

ETIM

ETIM 2.0	EC000897
ETIM 3.0	EC000897
ETIM 4.0	EC002020
ETIM 5.0	EC002020

UNSPSC

UNSPSC 6.01	30211811
UNSPSC 7.0901	39121410
UNSPSC 11	39121410
UNSPSC 12.01	39121410
UNSPSC 13.2	39121410

Approvals

Approvals

Approvals

EAC

Shield connection terminal block - SK 14 - 3025176

Approvals

Ex Approvals

Approvals submitted

Approval details

EAC

Accessories

Accessories

Installation terminal block

Connection terminal block - AKG 4 GNYE - 0421029



Connection terminal block, Connection method Screw connection, Cross section: 0.5 mm² - 6 mm², Width: 7 mm, Color: green-yellow

Connection terminal block - AKG 4 BK - 0421032



Connection terminal block, Connection method Screw connection, Cross section: 0.5 mm² - 6 mm², Width: 7 mm, Color: black

Neutral conductor rail

Neutral busbar - NLS-CU 3/10 SN 1000MM - 0402174



PEN conductor busbar, 3mm x 10 mm, length: 1000 mm

Shield connection terminal block - SK 14 - 3025176

Accessories

Pick-off terminal block

Connection terminal block - AK 4 - 0404017



Connection terminal block, Connection method Screw connection, Cross section: 0.5 mm² - 6 mm², Width: 7 mm, Color: silver

Support

Support bracket - AB-SK - 3025341



Support bracket for busbars

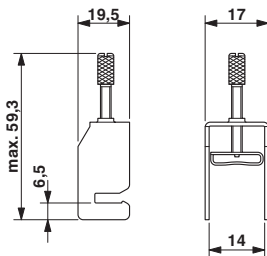
Support bracket - AB/SS - 0404428



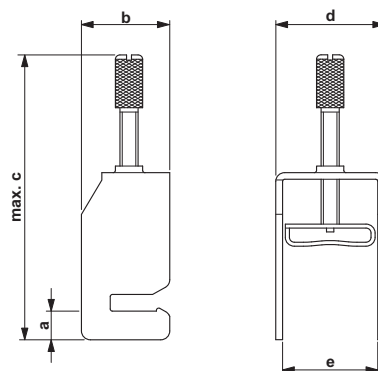
Support bracket made from insulation material, with retaining screw, can be used with either 3 x 10 mm or 6 x 6 mm busbar, color: gray

Drawings

Dimensional drawing

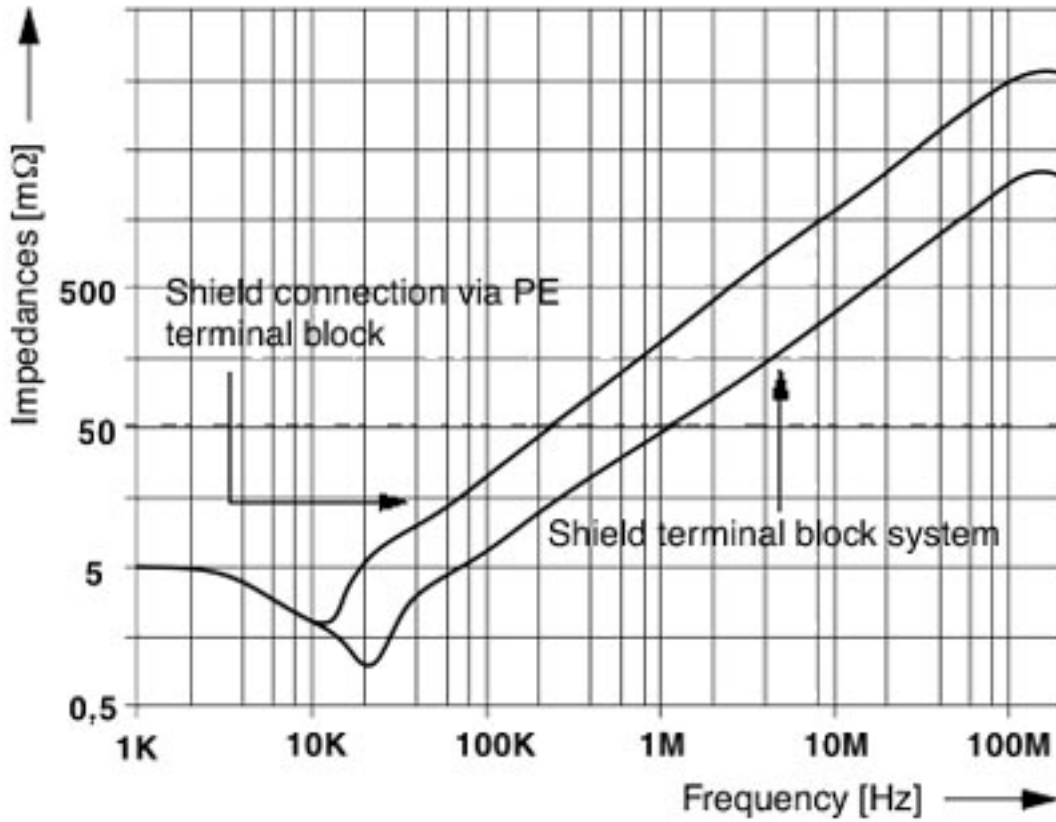


Dimensional drawing



Shield connection terminal block - SK 14 - 3025176

Diagram



Mouser Electronics

Authorized Distributor

Click to View Pricing, Inventory, Delivery & Lifecycle Information:

[Phoenix Contact:](#)

[3025176](#)