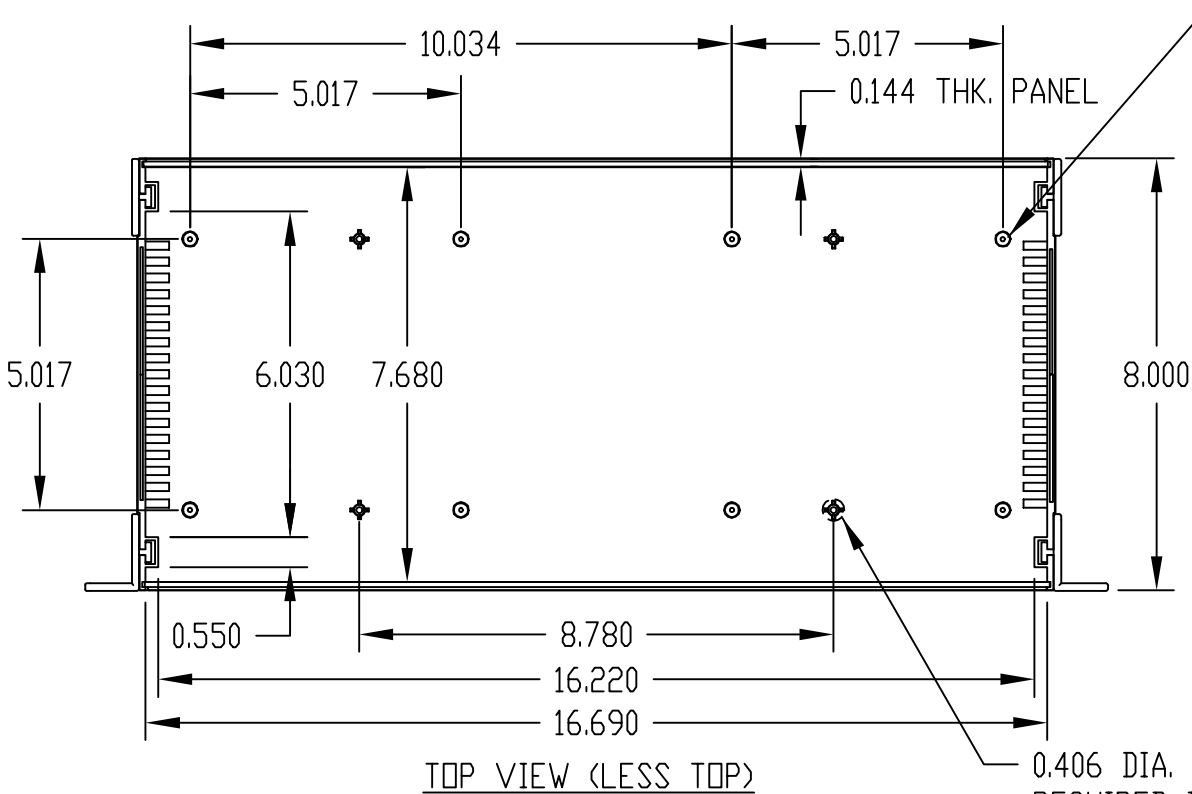
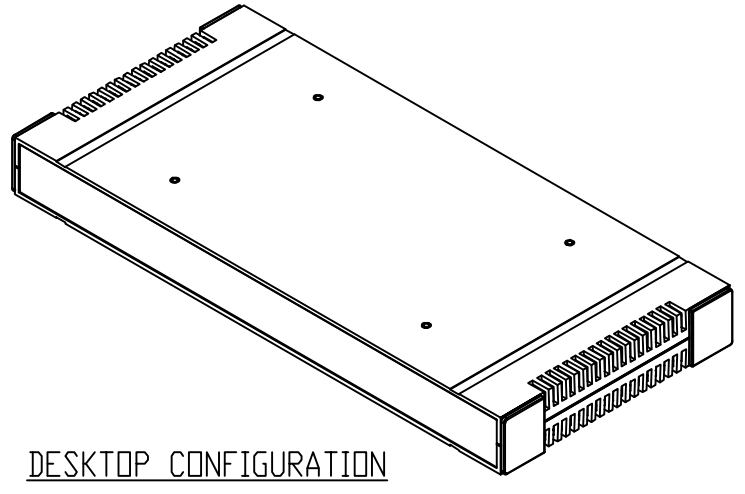
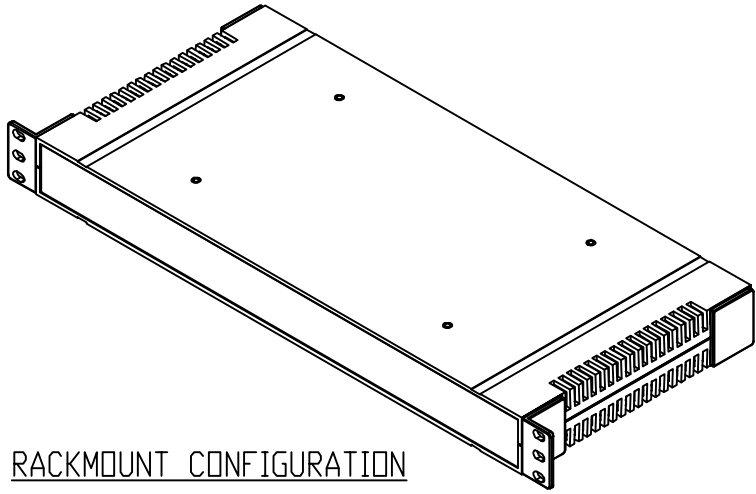


PART NAME	RACKMOUNT BOX	PART No.	PRM-14460 TO PRM-14464	REV. DATE	1-26-10
-----------	---------------	----------	------------------------	-----------	---------

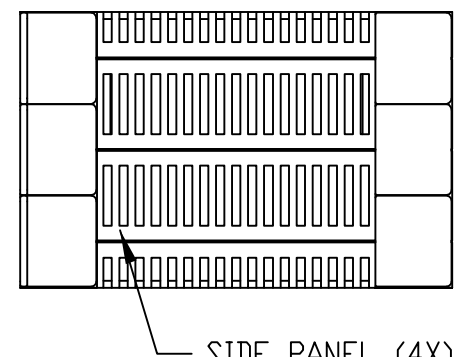
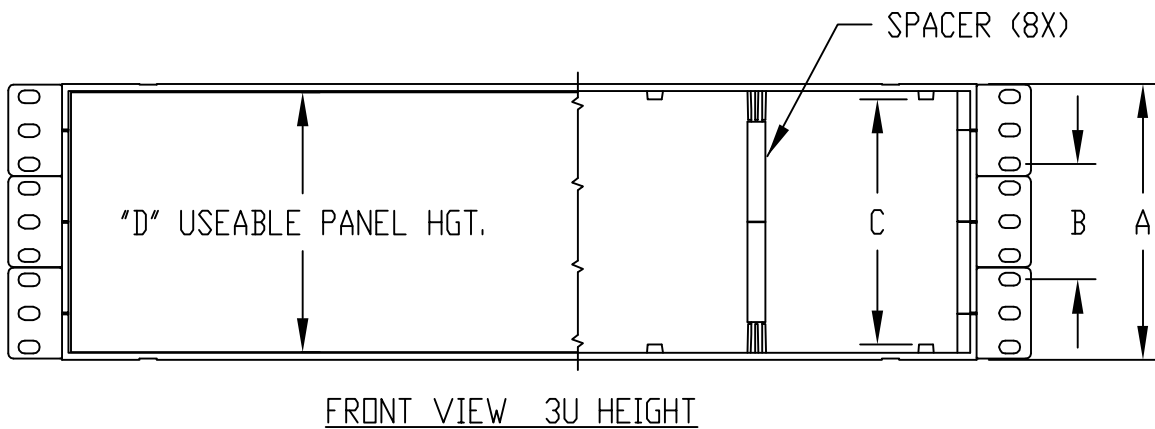
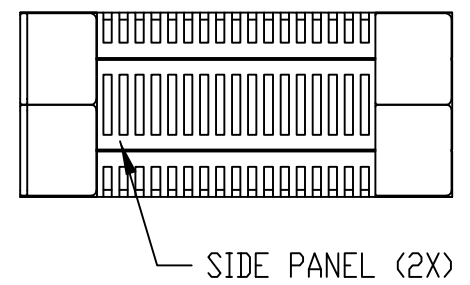
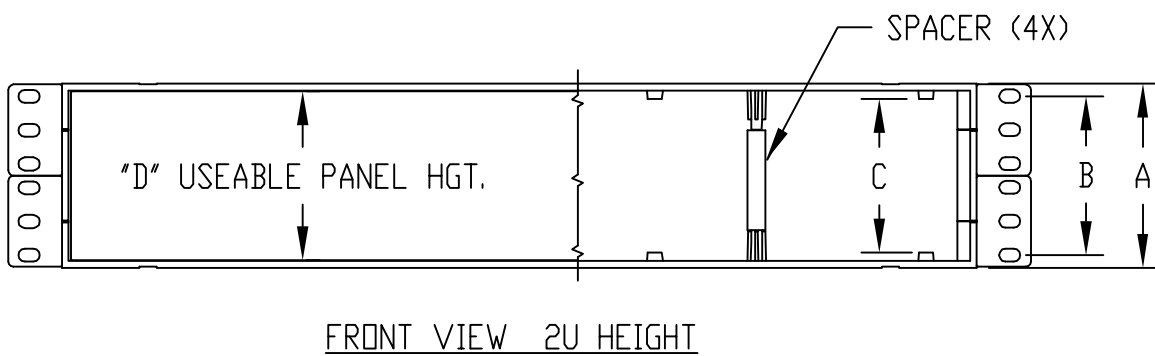
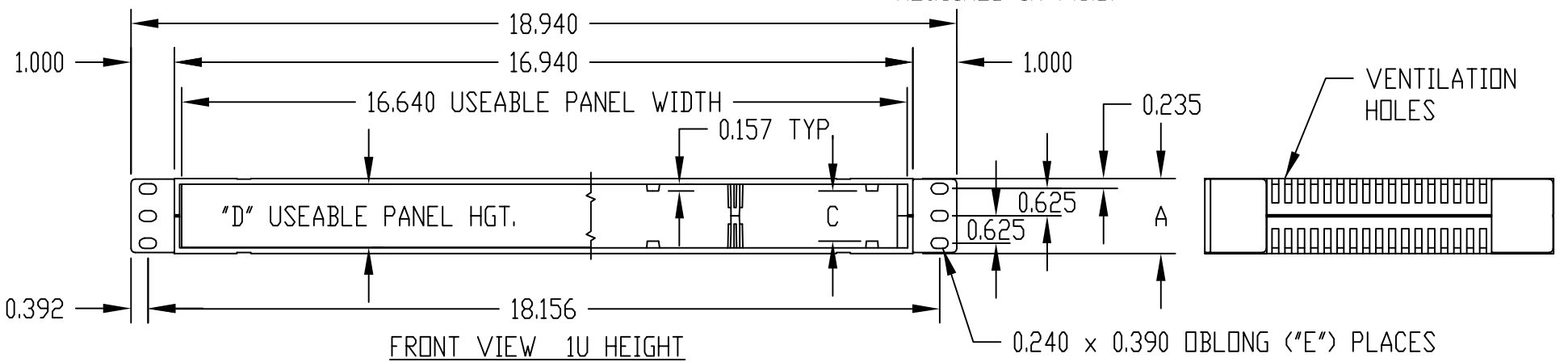


0.285 DIA. BOSS WITH 0.085 DIA. HOLE  
 x 0.156 DEEP (16) PLACES  
 (8) PL'S. IN BOTTOM, (8) PL'S. IN TOP

MATERIAL:  
 MOLDED ABS UL94-HB  
FINISH:  
 BLACK TEXTURED

NOTES:  
 UNITS SHIPPED UNASSEMBLED  
 MOUNTING BOSSES USE EITHER M2.5  
 METRIC OR #4 STD. SHEET METAL  
 SCREWS x 0.188" LG. (NOT SUPPLIED)  
 ALL DIMENSIONS HAVE ±0.040 TOLERANCE  
 UNLESS OTHERWISE SPECIFIED.

0.406 DIA. CLEARANCE HOLE  
 REQUIRED IN P.C.B.



PART No.	"A"	"B"	"C"	"D"	"E"
PRM-14460	1.720	---	1.146	1.440	(6)
PRM-14462	3.416	3.000	2.842	3.128	(12)
PRM-14464	5.112	2.250	4.538	4.816	(18)

# Mouser Electronics

Authorized Distributor

Click to View Pricing, Inventory, Delivery & Lifecycle Information:

[Bud Industries:](#)

[PRM-14462](#) [PRM-14464](#) [PRM-14460](#)