

**PLEASE CHECK WWW.MOLEX.COM FOR LATEST PART INFORMATION**

**Part Number:** **0643181019**  
**Status:** **Active**  
**Overview:** CMC and CMX Sealed, Hybrid, Modular Connectors  
**Description:** .635mm, 1.50mm, 2.80mm, Power CMC Connector, 28 Circuits, Left Wire Output, Brown Coding, Mat Sealed

**Documents:**

<a href="#">3D Model</a>	<a href="#">Application Specification AS-98420-001-001 (PDF)</a>
<a href="#">Drawing (PDF)</a>	<a href="#">Application Specification AS-98420-001-CH-001 (PDF)</a>
<a href="#">3D Model (PDF)</a>	<a href="#">Application Specification AS-98420-001-FR-001 (PDF)</a>
<a href="#">Product Specification PS-64321-001-001 (PDF)</a>	<a href="#">Application Specification AS-98420-001-SP-001 (PDF)</a>
<a href="#">Application Specification AS-64318-002-001 (PDF)</a>	<a href="#">Packaging Specification PK-98994-001-001 (PDF)</a>
<a href="#">Application Specification AS-64318-002-CH-001 (PDF)</a>	<a href="#">Datasheet (PDF)</a>
<a href="#">Application Specification AS-64318-002-FR-001 (PDF)</a>	<a href="#">RoHS Certificate of Compliance (PDF)</a>
<a href="#">Application Specification AS-64318-002-SP-001 (PDF)</a>	

**Application tooling part link**

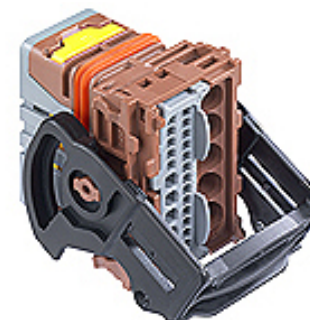
Application Tooling Part Link	63812-1100
Application Tooling Part Link	63824-1200

**General**

Product Family	Crimp Housings
Series	<b>64318</b>
Application	Automotive, Power, Wire-to-Board
Comments	* Current tested on a fully loaded connector, current for temperature increase of 40°C. Current max = 21.0A for 2.80mm Terminal (5.00mm <sup>2</sup> wire), 12.0A for 1.50mm Terminal (2.00mm <sup>2</sup> wire), 2.5A for 0.635mm Terminal(0.75mm <sup>2</sup> wire) *
More Detailed Tech Information	Sealed, high-density, power, modular connecting system for Power Train and Body Electronics applications in cars, trucks, busses
Overview	<a href="#">CMC and CMX Sealed, Hybrid, Modular Connectors</a>
Product Name	CMC
UPC	883906135126

**Physical**

Circuits (maximum)	28
Circuits Detail	5x 2.8mm, 5 x 1.5mm, 18 x 0.635mm terminals
Color - Resin	Brown
Gender	Receptacle
Glow-Wire Capable	No
Keying to Mating Part	Yes
Lock to Mating Part	Yes
Material - Resin	Polyester
Net Weight	35.290/g
Number of Rows	3
Packaging Type	Carton
Panel Mount	No
Pitch - Mating Interface	2.54mm, 3.50mm, 6.75mm
Polarized to Mating Part	Yes



Series image - Reference only

**EU ELV**

**Compliant**

**EU RoHS**

**Compliant**

**REACH SVHC**

Not Contained Per - ECHA\_01\_2020 (16 January 2020)

**Halogen-Free**

**Status**

**Not Relevant**

For more information, please visit [Contact US](#)

China ROHS

Not Relevant

ELV

Compliant

RoHS Phthalates

Not Contained

**Search Parts in this Series**

[64318 Series](#)

**Mates With**

[47745](#) CMC Header Please Contact Molex for Details

**Use With**

Female Terminals [64322 CP 0.635](#), [64323 CP 1.5](#), [64324 CP 2.8](#) . Circuit Way Plugs, [643251010](#) , [643251023](#) , [643251091](#) . CMC Wire Cap, [643201301](#) , [643251162](#) , [643251175](#) , [643251188](#) , [643 251196](#)

**Application Tooling | FAQ**

*Tooling specifications and manuals are found by selecting the products below. Crimp Height Specifications are then contained in the Application Tooling Specification document.*

**Global**

**Description**

**Product #**

Continuity Test Pen Assembly	<a href="#">638121100</a>
------------------------------	---------------------------

Stackable No  
Temperature Range - Operating -40° to +125°C

**Electrical**

Current - Maximum per Contact 12.0A, 2.5A, 21.0A

**Solder Process Data**

Lead-free Process Capability N/A

**Material Info**

**Reference - Drawing Numbers**

Application Specification AS-64318-002-001, AS-64318-002-CH-001,  
AS-64318-002-FR-001, AS-64318-002-SP-001,  
AS-98420-001-001, AS-98420-001-CH-001,  
AS-98420-001-FR-001, AS-98420-001-SP-001  
Packaging Specification PK-98994-001-001  
Product Specification PS-64321-001-001  
Sales Drawing SD-64318-001

Unlocking Tool 638241200  
for CMC and  
CMX Receptacle  
Connector

This document was generated on 04/16/2020

**PLEASE CHECK [WWW.MOLEX.COM](http://WWW.MOLEX.COM) FOR LATEST PART INFORMATION**

# Mouser Electronics

Authorized Distributor

Click to View Pricing, Inventory, Delivery & Lifecycle Information:

[Molex:](#)

[64318-1019](#)