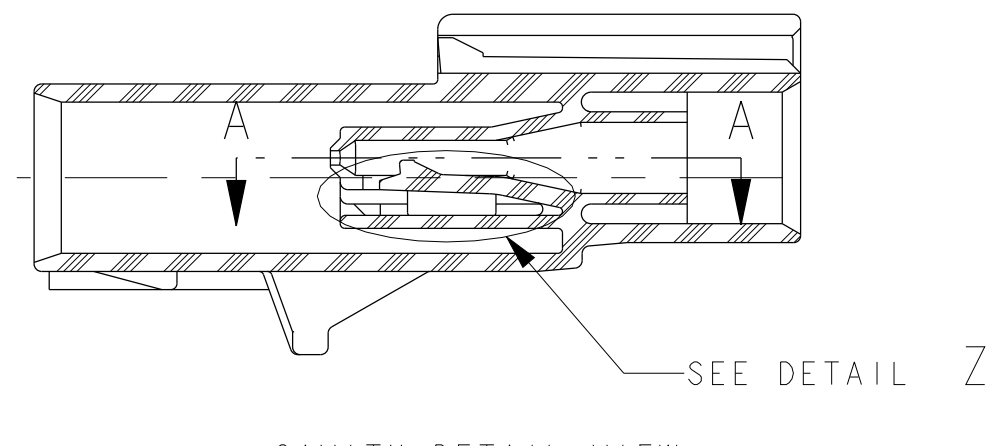
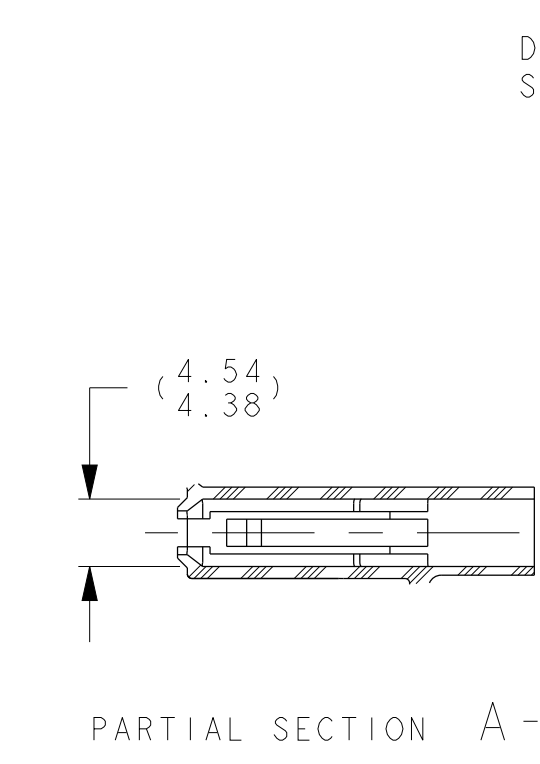
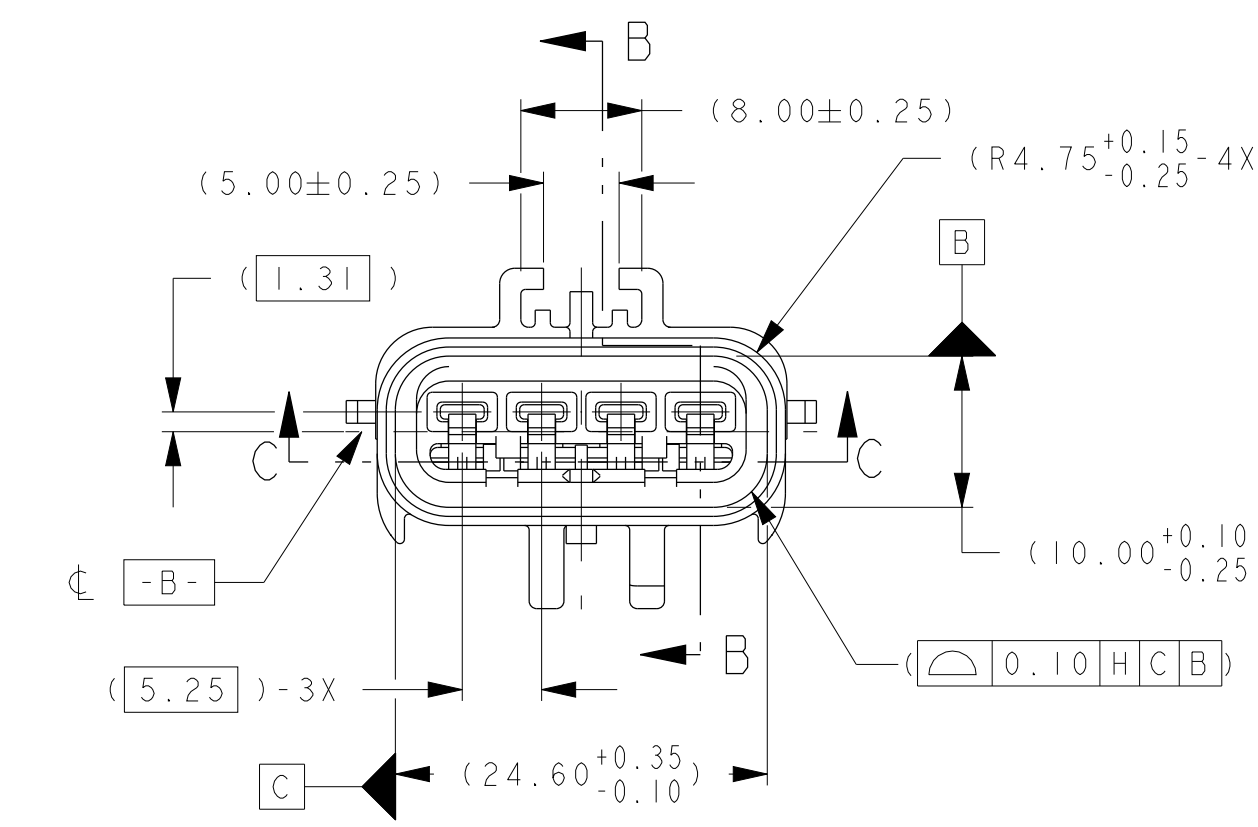
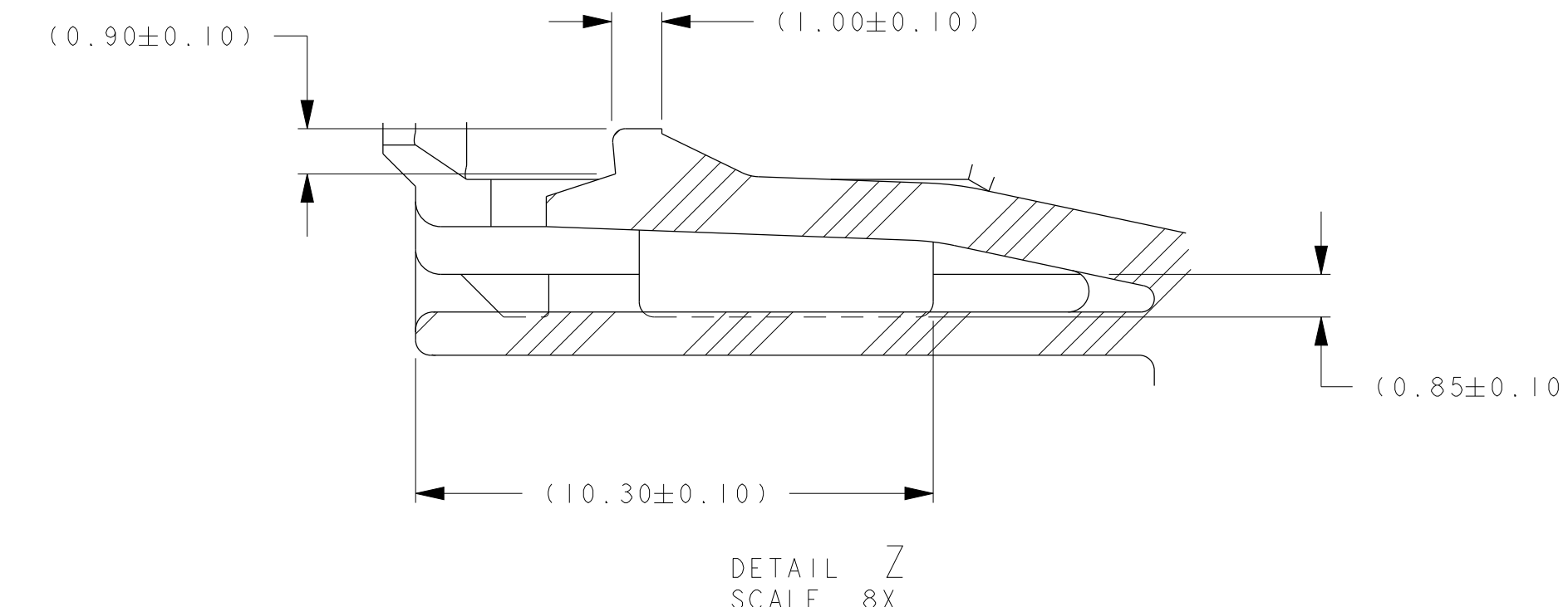
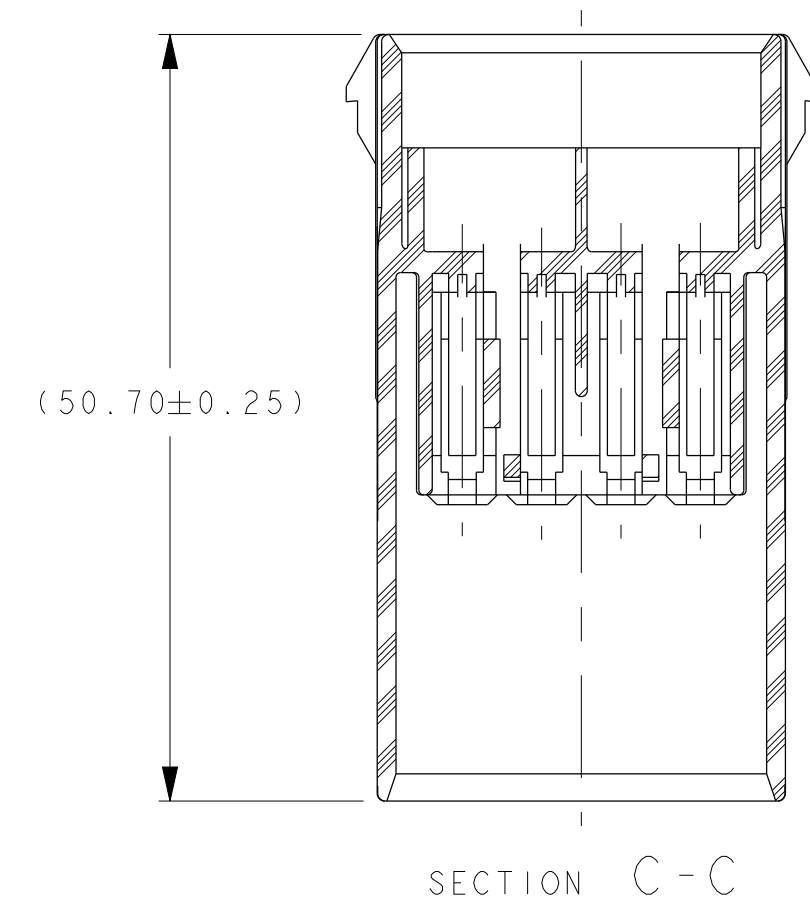
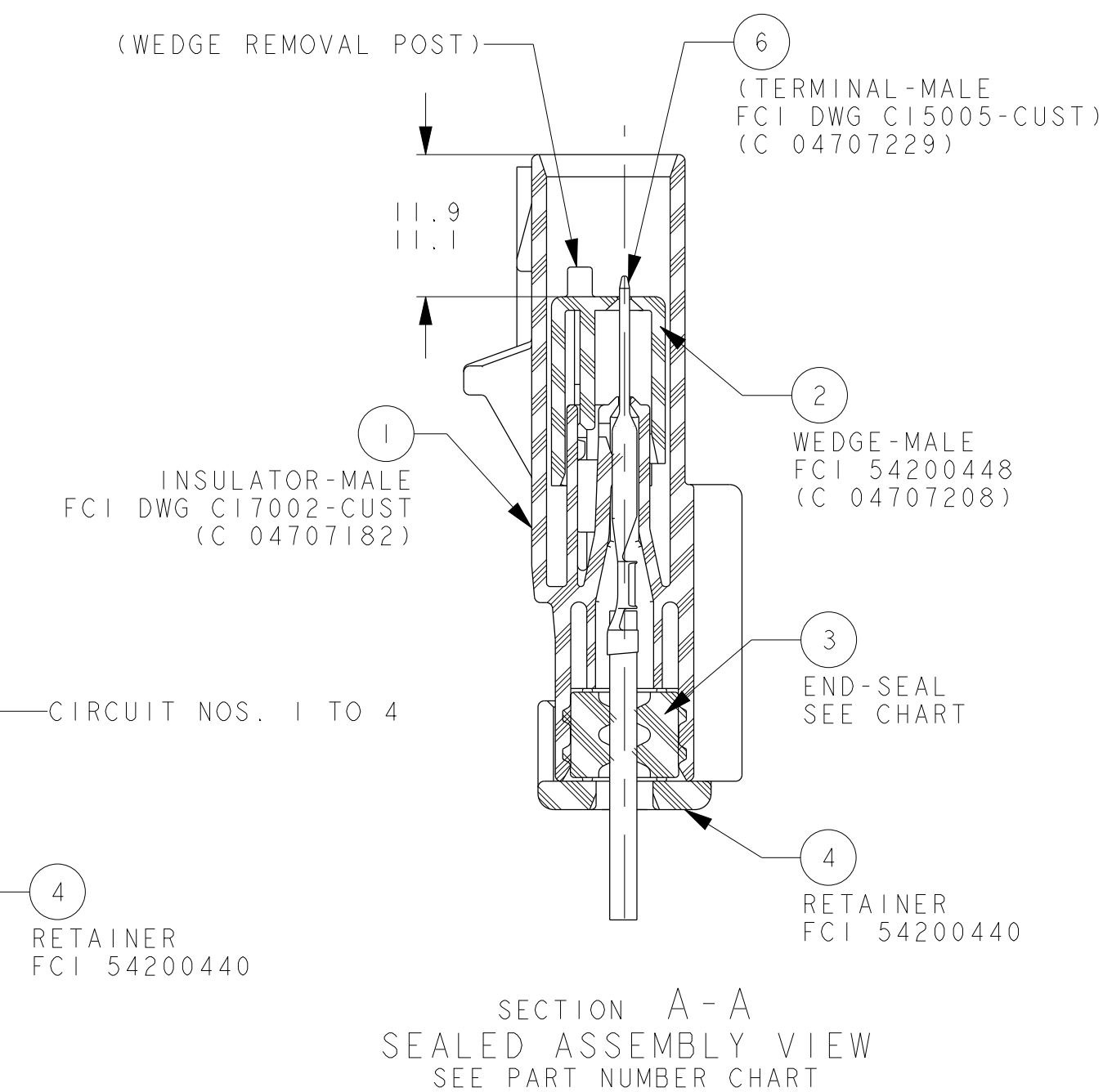
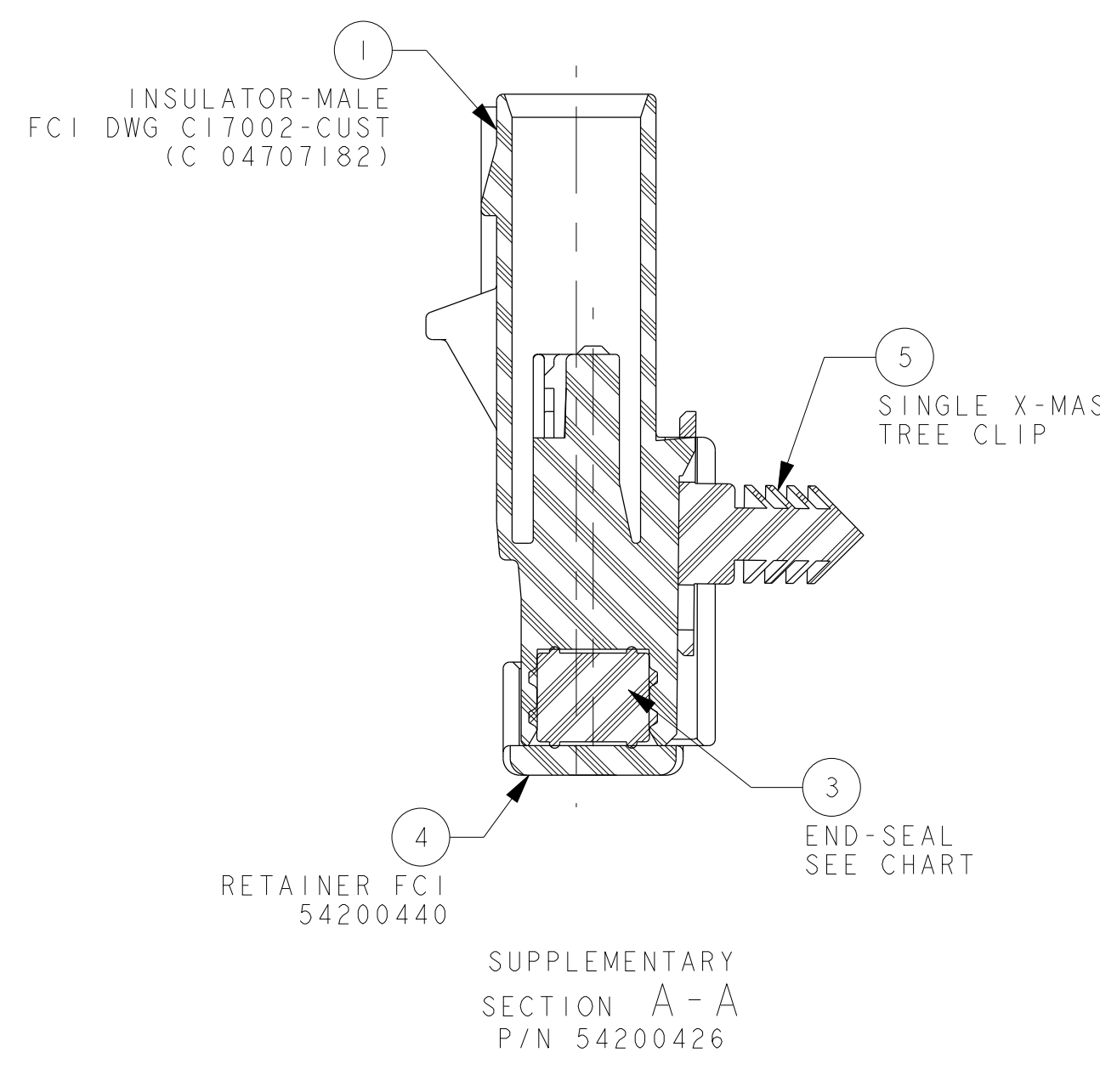
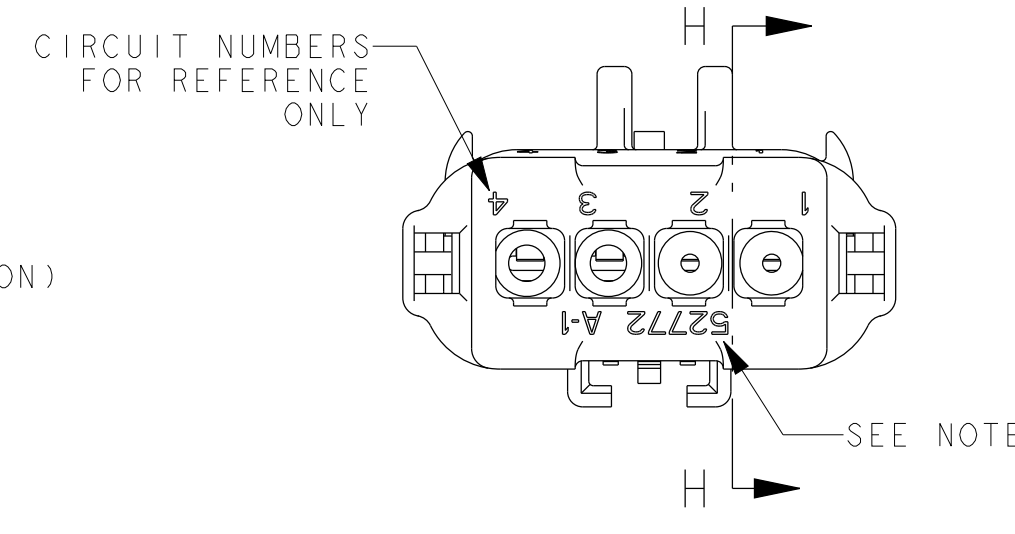
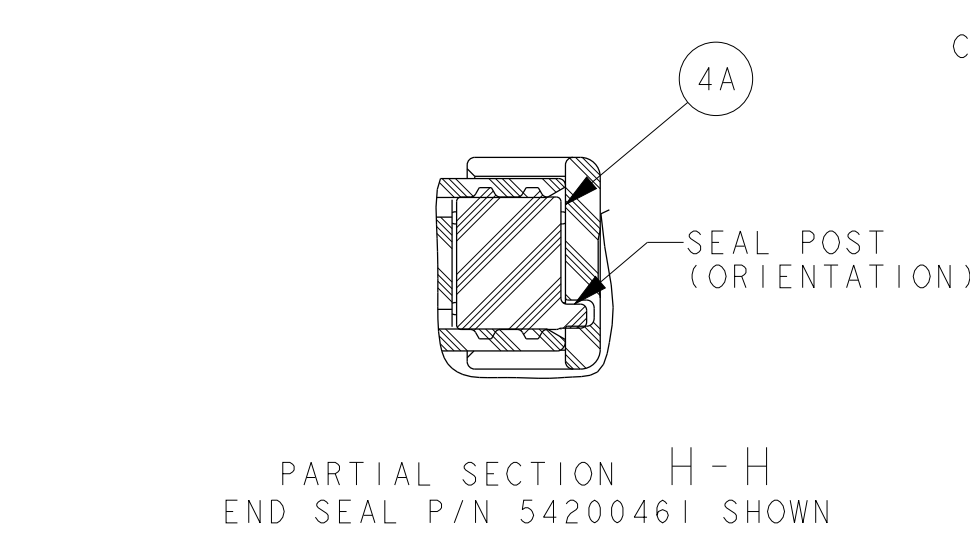
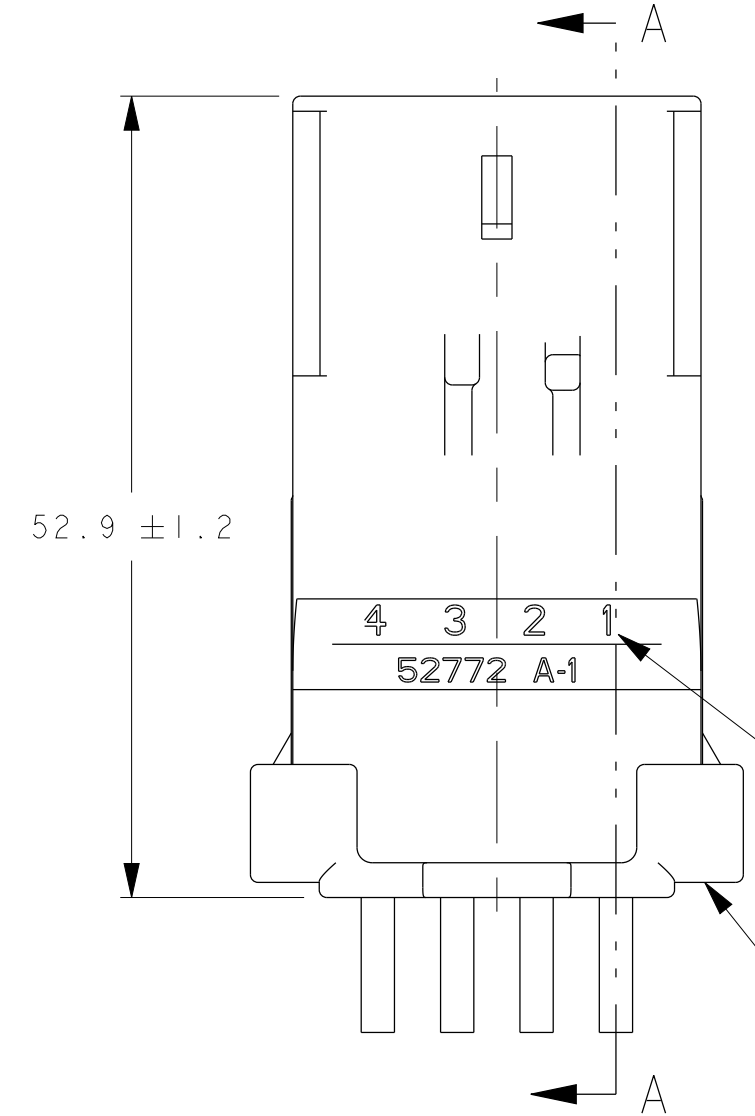
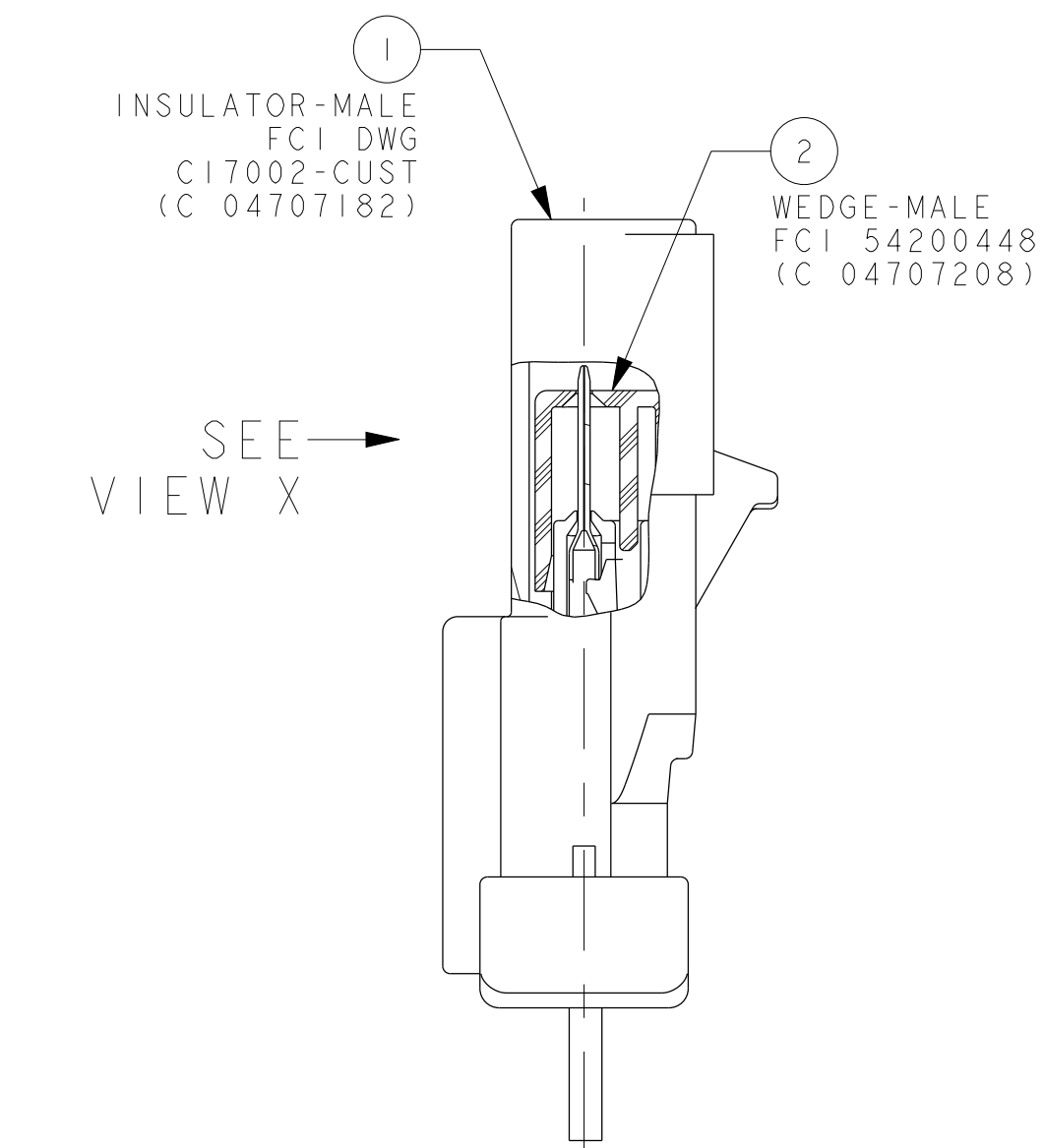
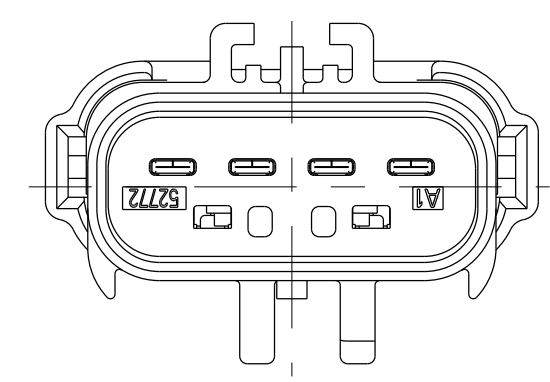


LAST 5 DIGITS OF 8 DIGIT P/N & PART CHANGE LEVEL (PCL) OR LAST 6 DIGITS OF 10 DIGIT OR OF PDS P/N & PART CHANGE LEVEL (PCL)
MFG. DAILY DATE CODE & ASSY MACHINE NO. LETTERING MUST BE LEGIBLE

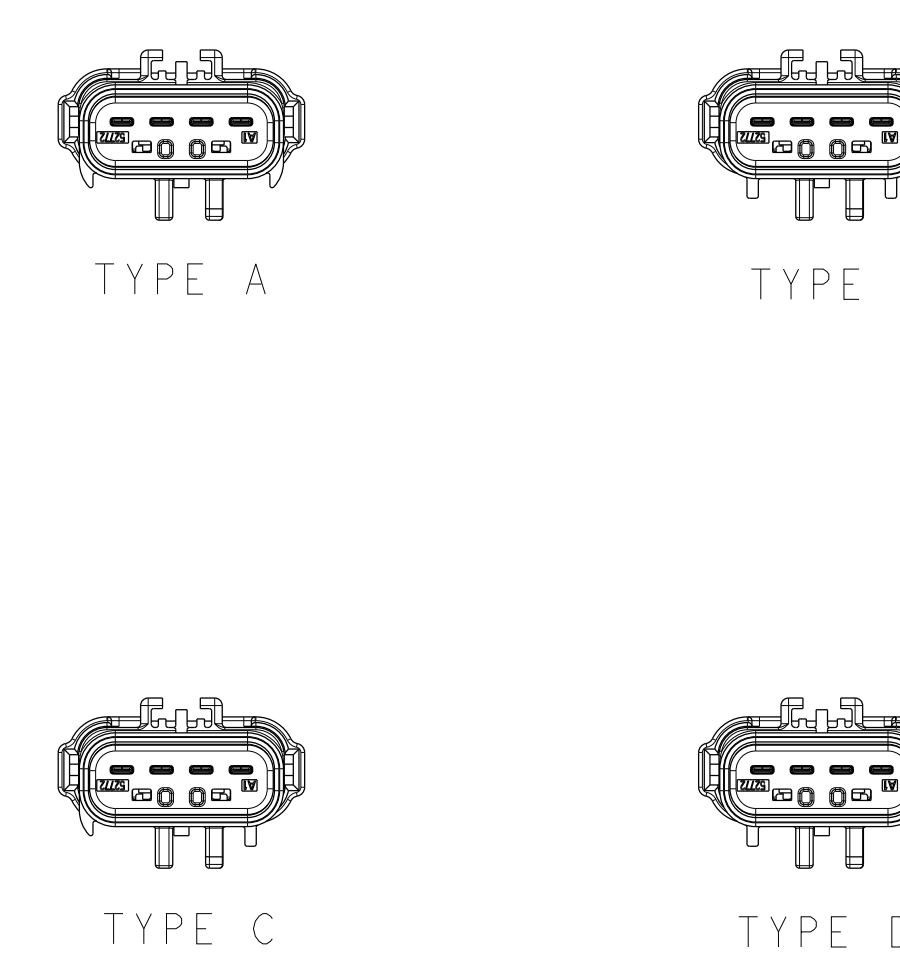
OPTIONAL

PARTIAL VIEW X

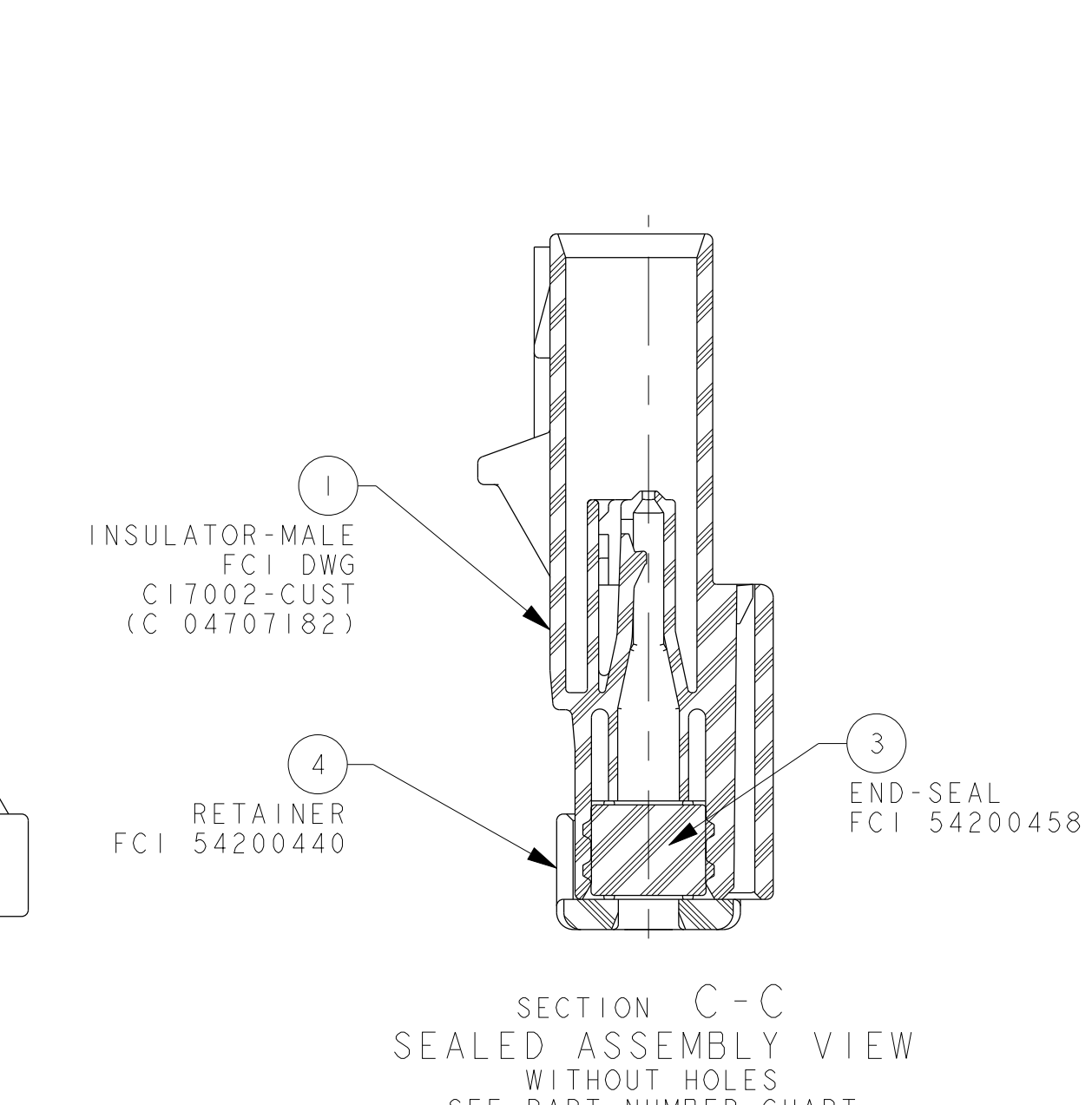
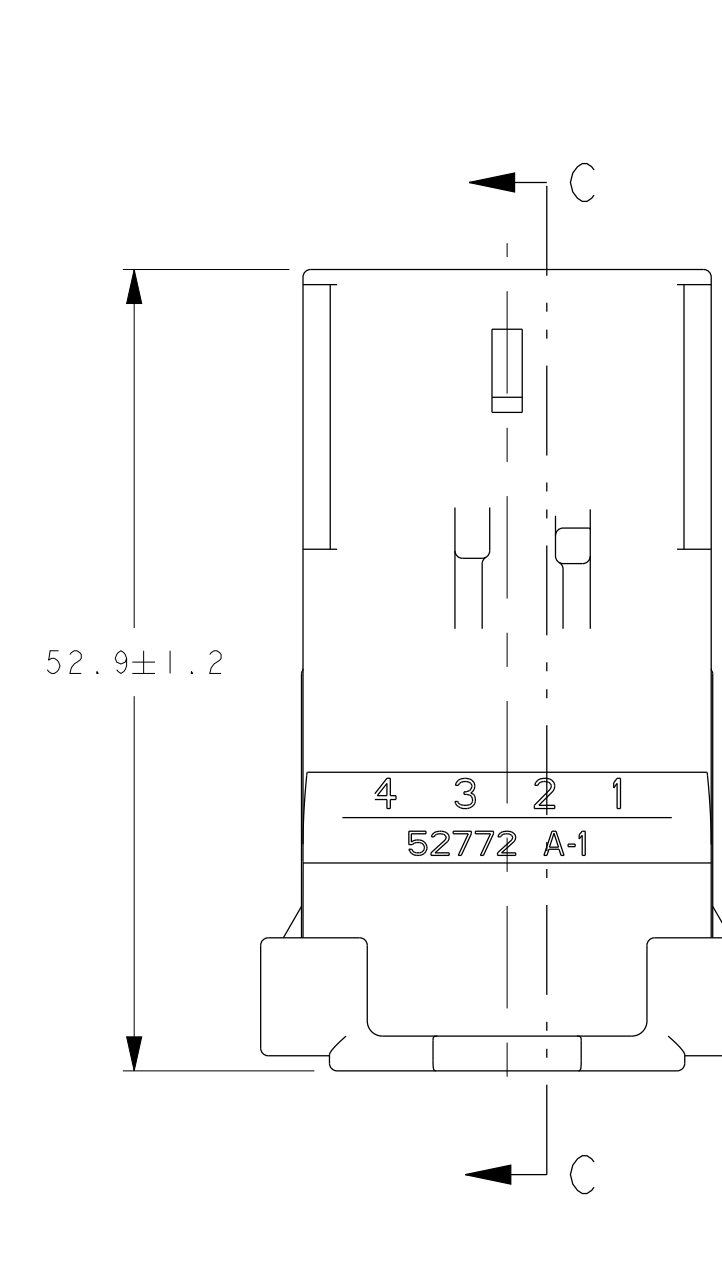
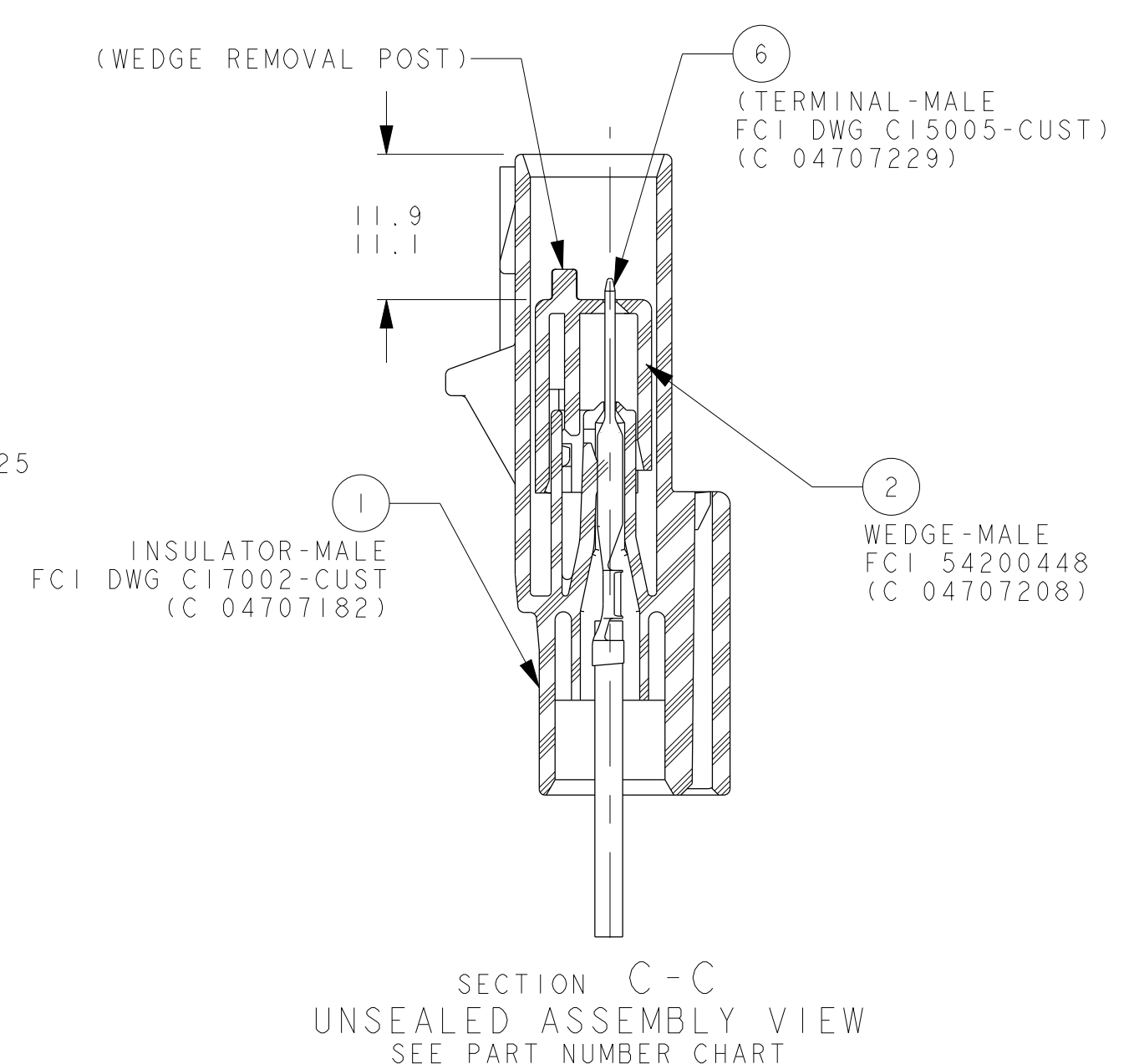
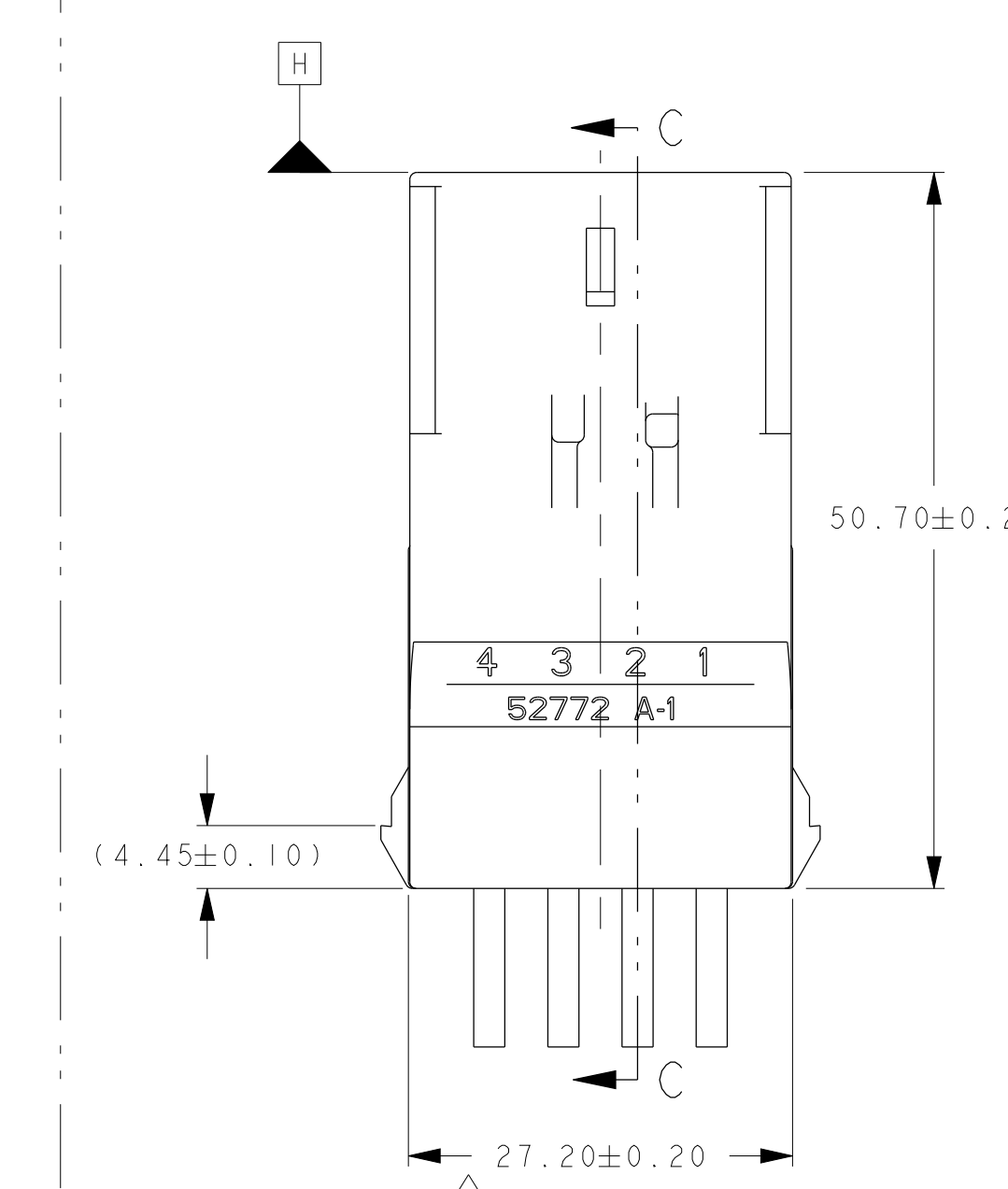


INSULATOR VIEWS FOR REFERENCE ONLY

CAVITY DETAIL VIEW SECTION B-B

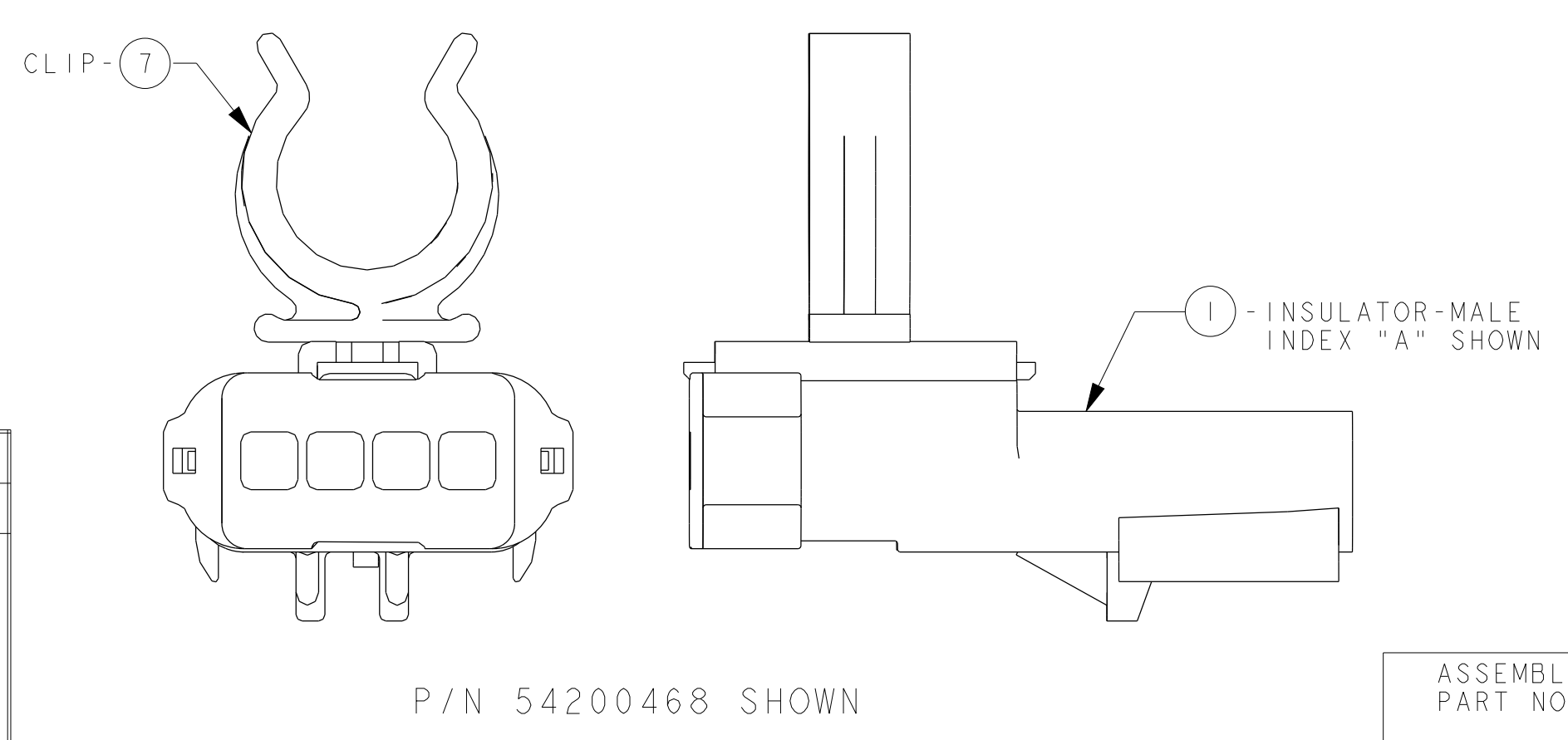


POLARIZATION OPTIONS FULL SIZE



MATING PART NUMBER CHART								
D	NATURAL	UNSEALED	54200424, 54200408	N/A	54200404N	N/A		
D	NATURAL	UNSEALED	54200424, 54200408	C 56042179, 56038055	54200404	C 56038053		
		SEALED	54200416	N/A	54200412N	N/A		
G	BLACK	SEALED	54200416	C 04707380	54200412	C 04707264		
		SEALED	F225600	N/A	F915600	N/A		
C	DK GREY	UNSEALED	54200407	N/A	54200403N	N/A		
		UNSEALED	54200407	C 56038194	54200403	C 56038193		
		SEALED	54200415	N/A	54200411N	N/A		
		SEALED	54200415	C 04707379	54200411	C 04707263		
F	BLACK	SEALED	55200429	N/A	55200428	N/A		
		SEALED	F125600	N/A	F815600	N/A		
B	LT GREY	UNSEALED	54200418, 54200419, 54200406	C 04495870, 04661922, 04707209	54200402N	C 04688849		
		SEALED	DIRECT CONNECT APPLICATION		54200450N	N/A		
		SEALED	DIRECT CONNECT APPLICATION		54200450	C 04707510		
		SEALED	54200417	C 04707209	54200447N	C 04801217AA		
		SEALED	DIRECT CONNECT INDEX B		54200422N	N/A		
		SEALED	DIRECT CONNECT INDEX B		54200422	C 04759394AA		
		SEALED	54200414, 54200418, 54200419, 54200417	N/A	54200410N	N/A		
		SEALED	F291210	F DUST-14A594-AA	54200410	F 4L3T-14A464-AA		
		SEALED	DIRECT CONNECT APPLICATION		54200410	F 4L3T-14A464-AA		
		SEALED	54200414, 54200418, 54200419, 54200417	C 04707267, 04495870, C 04661922, 04707209	54200410	C 04707256		
A	BLACK	SEALED	F598500, F760600	N/A	54200495	N/A		
		SEALED	54200420, F598500	N/A	54200480N	N/A		
		SEALED	DIRECT CONNECT APPLICATION		54200495	F AUST-14A464-AA		
		SEALED	54200420, F598500	LOW PERM HDR	54200480	C 04759900AA		
		SEALED	F025600	N/A	F715600	N/A		
		UNSEALED	54200405	N/A	54200400N	N/A		
		UNSEALED	54200405	C 56038054	54200400	C 56038052		
		UNSEALED	54200423	C 56042178	N/A	INDEX A		
		SEALED	F100010 / DIR. CONN. APPL.	F333900	N/A	INDEX A		
		SEALED	F860600 / DIR. CONN. APPL.	N/A	54200467N	N/A		
A	BLACK	SEALED	F860600 / DIR. CONN. APPL.	SOLID STATE RELAY	54200467	C 04868299AA		
		SEALED	54200413, 54200426	N/A	54200409N	N/A		
		SEALED	54200413, 54200426	C 04707266, 04759236	54200409	C 04707262		
		SEALED	54200425	N/A	54200421N	N/A		
		SEALED	54200425	C 04759253	54200421	C 04759251		
		SEALED	F498500	N/A	F398500	N/A		
		SEALED	54200426, 54200427, 54200468	C 04759236, 56042441, 04759236AB	INDEX A	INDEX A		
		SEALED	55200446	N/A	55200445	N/A		
		INDEX TYPE	SEALED/UNSEALED	FCI	CUSTOMER	FCI	CUSTOMER	
		VENDOR	VENDOR CODE	P/N	MALE ASSEMBLY PART NUMBERS		MATING ASSEMBLY PART NUMBERS FOR REFERENCE ONLY	

CUSTOMER P/N'S	ASSEMBLY PART NUMBERS																	
	UNSEALED					SEALED												
C 56038054	C 5604217B	N/A	C 56038194	C 56038055	C 56042179	C 04707266	C 04707267	C 04707379	C 04707380	N/A	N/A	N/A	N/A	N/A	C 04759236	C 56042441	C 04759236AB	F DUST-14A594-AA
FCI P/N'S	54200405	54200423	54200406	54200407	54200408	56042424	54200413	54200415	54200416	54200425	F100010	F860600	F760600	F598500	54200426	54200427	54200468	F291210



P/N 54200468 SHOWN

ITEM #	CUSTOMER P/N	FCI P/N	COLOR	PART NAME (MATERIAL)	INDEX	TEMP CLASS 3										TEMP CLASS 4						
						REQUIRED	REQUIRED	REQUIRED	REQUIRED	REQUIRED	REQUIRED	REQUIRED	REQUIRED	REQUIRED	REQUIRED	REQUIRED	REQUIRED	REQUIRED				
1	C 04707204	54200436	BLK	INSULATOR-MALE (PA66 GF)	A	55200441	BLACK	I														
1	C 04707205	54200437	LT GRY	INSULATOR-MALE (PA66 GF)	B	F625600	BLACK	I														
1	C 04707206	54200438	DK GRY	INSULATOR-MALE (PA66 GF)	C	F725600	BLACK	I														
1	C 04707207	54200439	NAT	INSULATOR-MALE (PA66 GF)	D	F825600	BLACK	I														
2	C 04707208	54200448	RED	WEDGE-MALE (PA66 GF)		55200440	NAT	I	I	I	I	I	I	I	I	I	I	I	I	I		
3	N/A	54200428	LT BLUE	END SEAL (SILICONE)		55200439	DK BLUE	I	I	I	I	I	I	I	I	I	I	I	I	I		
3	N/A	54200429	BURNT ORANGE	END SEAL (SILICONE)																		
3	N/A	54200469	LT GREY	END SEAL-HYBRID (SILICONE)																		
3	N/A	54200461	BRT RED	END SEAL-HYBRID (SILICONE)																		
3	N/A	54200458	YELLOW	END SEAL-W/O HOLES (SILICONE)																		
4	N/A	54200440	BLK	RETAINER (PA66 GF)		55200438	NAT	I	I	I	I	I	I	I	I	I	I	I	I	I		
5	C 04625797	ITW DELTA 15-002775	BLK	SINGLE X-MAS TREE CLIP (PA66)																		
7	N/A	ITW DELTA 15-003260	BLK	AC LINK 5/8 CLIP																		
CONNECTOR ASSEMBLY TEMPERATURE CLASS PER SAE/JUSCAR-2 REV.5																			4	4	4	4
PART CHANGE LEVEL (PCL)																			T	T	T	T
WIRE GAGE																			20 TO 14			
WIRE GAGE																			20 TO 14			

CUSTOMER LEGENDS:
CHRYSLER - C
FORD - F
GENERAL MOTORS - GM

- NOTES:
- QUALITY ASSURANCE REQUIREMENTS PER CHRYSLER PS-7300: 1
 - ENGINEERING APPROVAL OF SUPPLIER SAMPLES IS REQUIRED PRIOR TO AUTHORIZATION OF PART PRODUCTION
 - CHANGES IN DESIGN COMPOSITION OR PROCESSING FROM THE PART PREVIOUSLY APPROVED FOR PART PRODUCTION REQUIRES PRIOR ENGINEERING APPROVAL
 - WIRING FABRICATORS MUST PURCHASE FROM SOURCES SHOWN
 - ALL THE SEALED CONNECTOR APPLICATIONS MUST BE USED WITH CHRYSLER WIRE SPEC MS-8288 OR MS-9502 THIN WALL X-LINK 20, 18, 16, 14, 12 & 10 GAGE WIRES ONLY UNLESS OTHERWISE SPECIFIED SEE CHART (WIRE INSULATIONS Ø1.0 MIN TO Ø4.09 MAX)
 - ALL NON-SEALED APPLICATIONS MAY BE USED WITH ANY WIRE INSULATION 22 GAGE THRU 10 GAGE (EXCEPT AS NOTED) PROVIDING THAT A TERMINAL GRIP FOR THAT CORE/INSULATION COMBINATION IS SHOWN ON THE MALE TERMINAL DRAWING
 - MAX. INSULATION CRIMP WIDTH = 4.50
 - MAX. INSULATION CRIMP HEIGHT = 4.50
 - MAX. INSULATION CRIMP DIA. = 4.09 (10 GA THIN WALL)
 - USE WITH CAVITY PLUG FCI P/N 54200005, (CHRYSLER P/N 56038308) WHEN REQ'D USE WITH DOUBLE X-MAS TREE CLIP FCI P/N 54200010 WITH FORWARD STOP WHEN REQ'D USE WITH DOUBLE X-MAS TREE CLIP CHRYSLER P/N 04707091 WHEN REQUIRED USE WITH SINGLE X-MAS TREE CLIP CHRYSLER P/N 04625797 WHEN REQUIRED USE WITH 2.80MM APEX MALE TERM PER C15005-CUST SYM ABOUT CENTERLINE FOR 180° ORIENTATION
 - DIRECT CONNECT DRAWING NO. G36004 (CHRYSLER 04707185)
 - TEST METHOD PER PERFORMANCE SPEC SAE/JUSCAR-2 REV.5, CONNECTOR ENGAGE & DISENGAGE WITH FEMALE LATCH DEPRESSED FORCE NOT TO EXCEED 75N FOR THIS SYSTEM
 - WEDGE SEATING FORCES - 100N MAX
 - X-MAS TREE CLIP INSERTION FORCES - 75N MAX
 - SUPPLIER, MOLD & CAVITY I.D. SIGNIFIES TOOL OWNERSHIP, FOR REFERENCE
 - ANNUAL QUALITY REQUIREMENTS:
IT IS PERMISSIBLE TO PERFORM CONTINUOUS CONFORMANCE PER FCI SPECIFICATION #AA-001 INSTEAD OF ANNUAL LAYOUT & ANNUAL PV REQUIREMENTS OF QS-9000 SECTION 2 & SAE/JUSCAR-2 REV.5
 - ALL NON-REFERENCE DIMENSIONS ARE REQUIRED
 - USE INDEX A, BLACK SEALED AND UNSEALED FOR ALL AFFECTED INSULATOR CAVITIES
 - CURRENT PRODUCTION TOOLING
 - POINT OF LAST RUN
 - SERVICE TOOLING GUIDE INFORMATION PER APEX TRAINING MANUAL MUST CONFORM TO THE FOLLOWING CHRYSLER/YNA STANDARDS:
 - SAE/JUSCAR-2 REV.5
PS-7300 QUALITY ASSURANCE (CHRYSLER)
MS-9502 SEAL APPL. 150° C
MS-8288 SEAL APPL. 125° C
PS-9227 DATA EXCHANGE (CHRYSLER), (GOC9-7 YNA)
PS-10052 INFORMATION SECURITY (CHRYSLER)
 - THIS DRAWING (H59012) REPLACES CHRYSLER DRAWING NUMBER 04707265 LEVEL "P"
CHRYSLER DRAWING IS FOR REFERENCE ONLY FOR PREVIOUS CHANGES
 - PARTS WITH BURNT ORANGE ENDOSEAL CAN BE USED WITH 12 GA OR 14 GA IN ANY ORDER OR COMBINATION OR W/THREE 12 GA AND ONE 18 OR 16 GA WIRE (ONE END)

11-02214	E14	MATERIAL PA66GF WAS NYLON 66 PLAN VIEW ADDED FOR CIRCUIT LOCATIONS ADDED P/N F291210 FOR FORD DELETE CAP PLUG APPLICATION POL TYPE B P/N DUST-14A594-AA
11784	ALL	REVISED AND REDRAWN IN PDS. P/N F100010 TEMP CLASS 3 ADDED W/END SEAL 54200461 12/10 GAGE FOR CIRCUITS 1 & 2
ENR-NO.	ZONE	CHANGE DESCRIPTION
DO NOT REUSE DRAWING	DATE	BY
DATE	NAME	TITLE
PROJECT	DESCRIPTION	PROJECT
APPROVED	DATE	DATE
FILE NAME	FILE NO.	FILE NO.

Mouser Electronics

Authorized Distributor

Click to View Pricing, Inventory, Delivery & Lifecycle Information:

[Aptiv:](#)

[54200405](#) [54200416](#) [54200415-B](#) [54200415](#) [54200407](#) [54200408](#) [54200405-B](#)