

Table 1: Dimensions Millimeters (Inches)

| Size | (A) | (B) Minimum | (L) Nominal | (C) Minimum | (D) Maximum | (W) |
|---------|--------------------------|----------------|----------------|----------------|----------------|--------------------------|
| TC 4001 | 19.1(0.750) ± 1.6(0.062) | 10.2(0.400) | 3.8(0.15) | 1.6(0.63) | 0.8(0.030) | 0.51(0.020) ± 0.1(0.005) |
| TC 4003 | 25.4(1.000) ± 1.6(0.062) | 14(0.550) | 3.8(0.15) | 3.2(0.125) | 1.3(0.050) | 0.64(0.025) ± 0.1(0.005) |
| TC 4005 | 28.6(1.125) ± 1.6(0.062) | 14(0.550) | 3.8(0.15) | 6.4(0.250) | 2.5(0.100) | 0.69(0.027) ± 0.1(0.005) |

Color: TC4001 White
 TC4003 Red
 TC4005 Gray


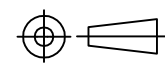
Reference Specification TEC-108-120013

RELEASED FOR PUBLICATION

ALL RIGHTS RESERVED.

THIS DRAWING IS UNPUBLISHED.

© COPYRIGHT 2017 TE Connectivity

| | | | | | |
|---|-----------------------|-----------|--|-----------------------|-----------------|
| DIMENSIONS: mm | DWN J. Bitter | 29-NOV-16 | MATERIAL - | FINISH - | |
| | CHK - | - |  TE Connectivity 305 Constitution Drive Menlo Park, CA 94025 USA | | |
| TOLERANCES UNLESS OTHERWISE SPECIFIED: | APVD - | - | | | |
| 0 PLC ± - | PRODUCT SPEC - | - | | | NAME TC-CAPS |
| 1 PLC ± - | APPLICATION SPEC - | - | | | SIZE A4 |
| 2 PLC ± - | | | CAGE CODE 06090 | DRAWING NO TC-CAPS | |
| 3 PLC ± - | | | | RESTRICTED TO - | |
| 4 PLC ± - | | | | | |
| ANGLES ± - | WEIGHT 0 | | | | |
|  | CUSTOMER DRAWING | | SCALE None | SHEET 1 of 1 | |
| | | | | REV D | |

Mouser Electronics

Authorized Distributor

Click to View Pricing, Inventory, Delivery & Lifecycle Information:

TE Connectivity:

[TC-CAPS-4003-2-CS7387](#) [TC-CAPS-4003-2CS5056](#) [TC-CAPS-4001-9-CS6967](#) [TC-CAPS-4001-9-CS5482](#) [TC-CAPS-4001-9-CS7596](#) [TC-CAPS-4005-8CS5336](#) [TC-CAPS-4005-8-CS7475](#) [TC-CAPS-4005-8-CS5504](#) [TC-CAPS-4001-9-CS7387](#) [TC-CAPS-4005-8CS6994](#) [TC-CAPS-4003-2CS5336](#) [TC-CAPS-4005-8-CS7815](#) [TC-CAPS-4003-2CS5482](#) [TC-CAPS-4003-2CS5369](#) [TC-CAPS-4003-2-CS7380](#) [TC-CAPS-4005-8CS5414](#) [TC-CAPS-4003-2CS6994](#) [TC-CAPS-4001-9-CS7380](#) [TC-CAPS-4001-9-CS5336](#) [TC-CAPS-4001-9-CS8997](#) [TC-CAPS-4003-2-CS8997](#) [TC-CAPS-4005-8-CS8997](#)