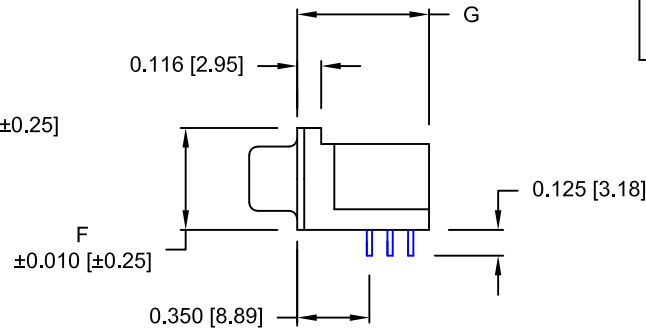
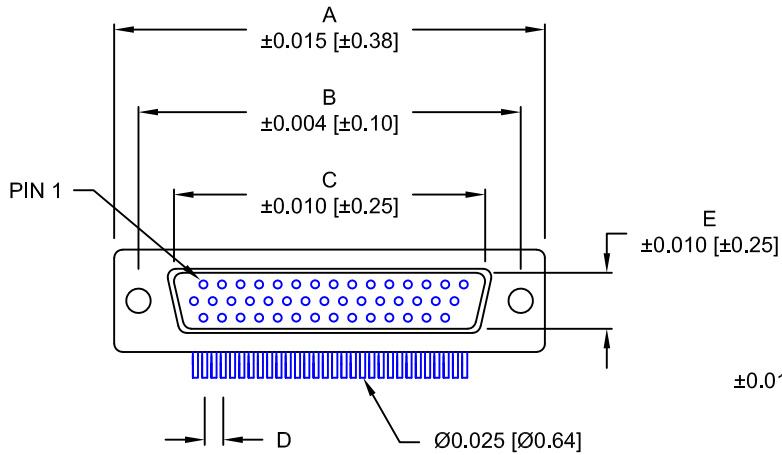


DESCRIPTION: HIGH DENSITY - MALE - RIGHT ANGLE

44 PIN SHOWN



DIMENSIONS (IN.)							
No. OF PINS	A	B	C	D	E	F	G
15	1.213	0.984	0.666	0.090	0.329	0.496	0.639
	30.80	24.99	16.92	2.29	8.36	12.60	16.23
26	1.543	1.312	0.994	0.090	0.329	0.496	0.639
	39.19	33.32	25.25	2.29	8.36	12.60	16.23
44	2.087	1.852	1.534	0.090	0.329	0.496	0.639
	53.00	47.04	38.96	2.29	8.36	12.60	16.23
62	2.732	2.500	2.156	0.095	0.329	0.496	0.639
	69.30	63.50	54.76	2.41	8.36	12.60	16.23

ELECTRICAL:
 CURRENT RATING: 3 AMPS
 CONTACT RESISTANCE: 15 MilliOhms Max.
 INSULATION RESISTANCE: 1,000 MEGOhms Min. at 500 VDC
 DIELECTRIC WITHSTANDING VOLTAGE: 1,000 VAC FOR 1 MINUTE
 WORKING VOLTAGE: 250 VAC
 TEMPERATURE: -55°C TO +105°C

MATERIALS:
 SHELL: SPCC, NICKEL PLATED
 INSULATOR: PA9T-BLACK (UL94-0)
 260°C PROCESS TEMPERATURE
 CONTACT: BRASS, GOLD ENTIRE CONTACT
 RIVET: COPPER ALLOY, NICKEL PLATED
 BOARDLOCK: SPCC, TIN PLATED
 SCREWLOCK: ZINC ALLOY, NICKEL PLATED

181-YYY-1 13 R YY 1

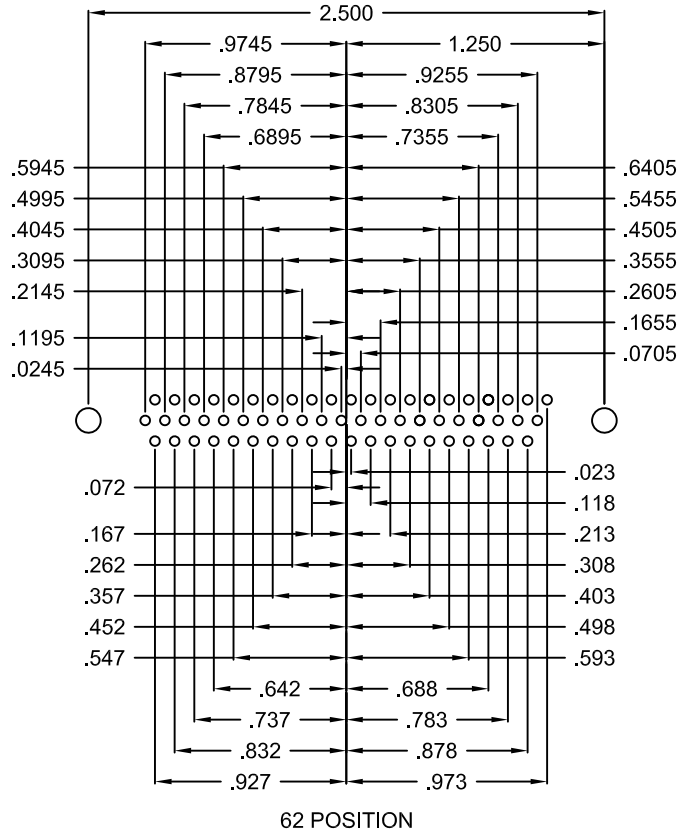
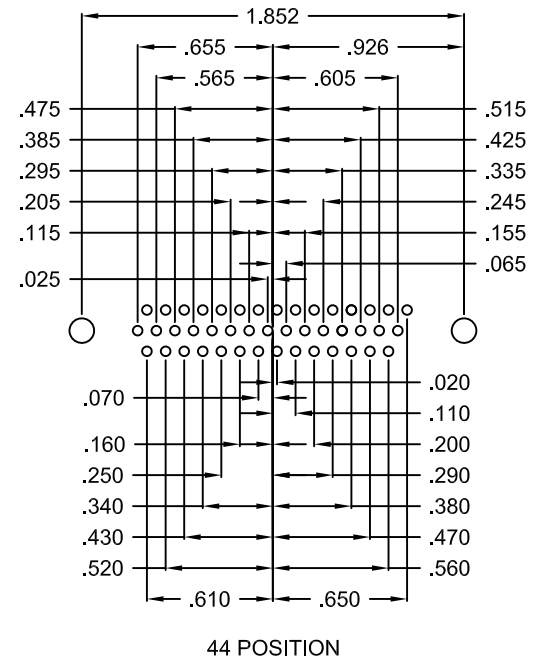
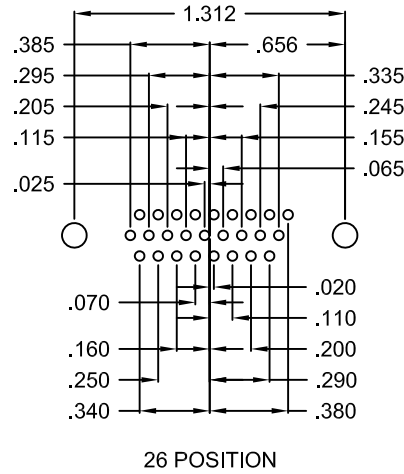
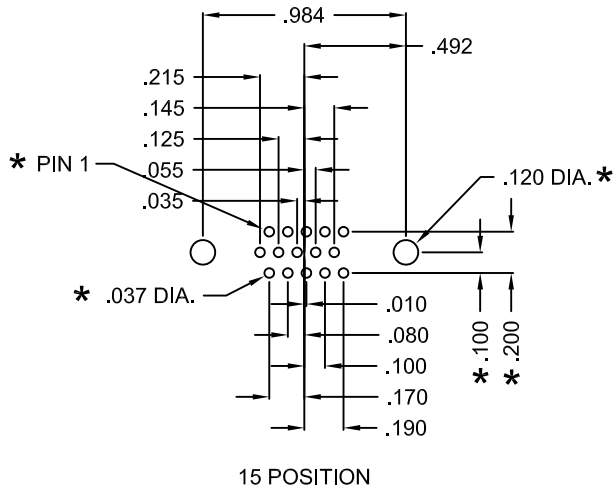
SERIES _____
 POSITIONS _____
 015 _____
 026 _____
 044 _____
 062 _____
 GENDER _____
 1 = MALE _____
 TERMINATION _____
 1 = DIP SOLDER _____
 SHELL PLATING _____
 3 = NICKEL PLATED _____
 RoHS COMPLIANT _____
 (HIGH TEMP. PROCESS) _____
 HARDWARE OPTIONS _____
 16 = Ø 0.120 HOLE / INSIDE GND STRAPS
 17 = 4-40 INSERTS / INSIDE GND STRAPS
 18 = 4-40 SCREWLOCKS / INSIDE GND STRAPS
 43 = Ø 0.120 HOLE / METAL SHELL
 45 = 4-40 INSERTS / METAL SHELL
 48 = 4-40 SCREWLOCKS / METAL SHELL
 53 = 4-40 INSERTS / BOARDLOCKS
 55 = Ø 0.120 HOLE / BOARDLOCKS
 56 = 4-40 SCREWLOCKS / BOARDLOCKS
 PLATING OPTIONS _____
 1 = GOLD FLASH _____

DO NOT SCALE FROM DRAWING

	THESE DRAWINGS AND SPECIFICATIONS ARE THE PROPERTY OF NorComp AND SHALL NOT BE REPRODUCED, COPIED OR USED AS THE BASIS FOR THE MANUFACTURE OR SALE OF APPARATUS WITHOUT WRITTEN PERMISSION.		DRAWN: PAM JENKINS	DATE: 03-17-05
			CHECKED:	DATE:
NorComp		SCALE:	SHEET 1 OF 3	REV 14
		DWG NO. 181-YYY-113RYY1		

RoHS COMPLIANT

DESCRIPTION: PCB LAYOUT - RIGHT ANGLE - MALE



181 SERIES
HIGH DENSITY
RIGHT ANGLE

HOLE PATTERN SHOWN
ARE FOR MALE

* TYP. ON ALL SIZES

DO NOT SCALE FROM DRAWING

	THESE DRAWINGS AND SPECIFICATIONS ARE THE PROPERTY OF NorComp AND SHALL NOT BE REPRODUCED, COPIED OR USED AS THE BASIS FOR THE MANUFACTURE OR SALE OF APPARATUS WITHOUT WRITTEN PERMISSION.		DRAWN: C. SMITH	DATE: 03-09-06
			CHECKED:	DATE:
<h1>NorComp</h1>		SCALE: FULL	SHEET 2 OF 3	REV 14
		DWG NO. 181-YYY-113RYY1		

DESCRIPTION: HIGH DENSITY R/A HARDWARE OPTIONS

	16	43	55
	17	45	53 BOARD LOCKS
	18	48	56 BOARD LOCKS



THESE DRAWINGS AND SPECIFICATIONS ARE THE PROPERTY OF NorComp AND SHALL NOT BE REPRODUCED, COPIED OR USED AS THE BASIS FOR THE MANUFACTURE OR SALE OF APPARATUS WITHOUT WRITTEN PERMISSION.

DRAWN: WAYNE ROBBINS		DATE: 03-17-05	
CHECKED:		DATE:	
SCALE:	SHEET 3	OF 3	REV 14
DWG NO. 181-YYY-113RYY1			

RoHS COMPLIANT

NorComp

Mouser Electronics

Authorized Distributor

Click to View Pricing, Inventory, Delivery & Lifecycle Information:

NorComp:

[181-015-113R171](#) [181-026-113R171](#) [181-044-113R171](#) [181-062-113R171](#) [181-015-113R551](#) [181-015-113R531](#)
[181-015-113R561](#) [181-044-113R531](#) [181-044-113R561](#) [181-062-113R531](#) [181-062-215-171](#)