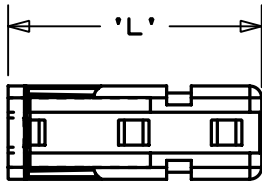
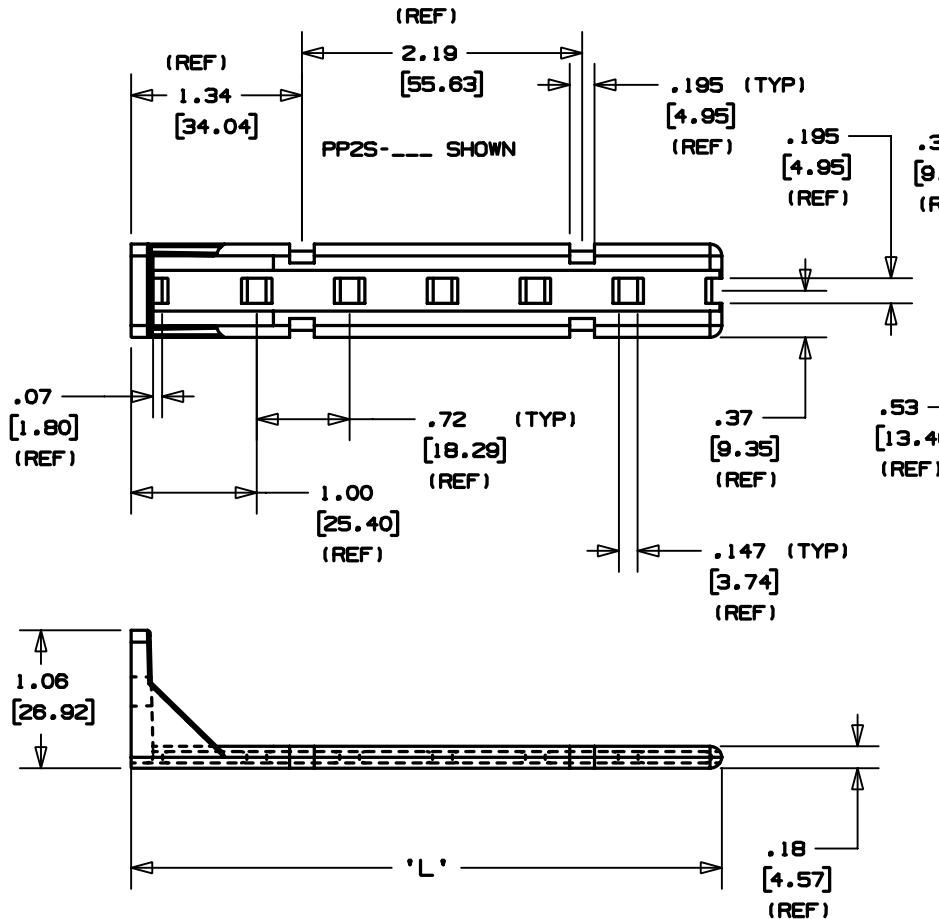


THIS COPY IS PROVIDED ON A RESTRICTED BASIS AND IS NOT TO BE USED IN ANY WAY DETRIMENTAL TO THE INTERESTS OF PANDUIT CORP.

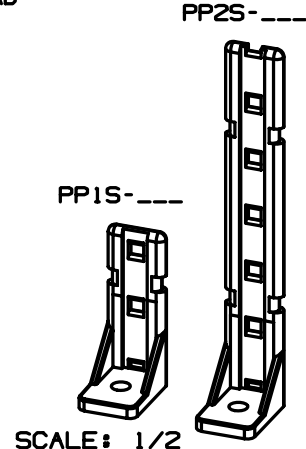


PP1S-\_\_\_ SHOWN

PANDUIT PART NO.	RECM'D FAST.	USE WITH THESE CABLE TIE CROSS-SECTIONS	'D' SCREW HOLE DIA	'L' LENGTH ±0.05 (1.3)	WEIGHT lbs/100 (g)/pcs.
PP1S-S10	#10 (M5) SCREW	M, I, S	0.200 ±0.005 (5.1 ±0.1)	1.97 (50.04)	1.2 (552)
PP1S-S12	#12 (M5) SCREW		0.230 ±0.005 (5.7 ±0.1)		
PP2S-S10	#10 (M5) SCREW		0.200 ±0.005 (5.1 ±0.1)	4.60 (116.84)	2.3 (1043)
PP2S-S12	#12 (M5) SCREW		0.230 ±0.005 (5.7 ±0.1)		



NOTES:  
 1. SEE CURRENT PRICE SHEET FOR PART NUMBER SUFFIX DESIGNATION FOR PACKAGE SIZE.  
 2. CABLE TIE CROSS SECTION CODE: M-MINATURE, I-INTERMEDIATE, S-STANDARD



DIMENSIONS IN BRACKETS ARE METRIC [ mm ]

CAD FILENAME/LAYERS G00239EA\_PB\_PP2SPP1S\_03

**PANDUIT** CORP. TINLEY PARK, ILLINOIS

PAN - POST (PP\_S-S\_\_)

UNLESS OTHERWISE SPECIFIED, DIMENSIONAL TOLERANCES ARE:  
 (.X) ±0.05 (1.3) (.XXX) ±0.010 (0.25)  
 (.XX) ±0.02 (0.5) ANGLES ± 5°

UNLESS OTHERWISE SPECIFIED, ALL DIMENSIONS ARE GIVEN IN INCHES, THIRD ANGLE PROJECTION.

DRAWN BY JAD MAT'L: NYLON 6/6 SCALE 3/4

DATE 12/18/02 DRAWING NO. GB0239EA DWS A SIZE

REV	DATE	BY	CHK	DESCRIPTION	ECN	R	CUST	SUP
3	12/18/02	JAD		REVISED-ADDED PP1S FROM DWG G802398W	G80239EA	3		

# Mouser Electronics

Authorized Distributor

Click to View Pricing, Inventory, Delivery & Lifecycle Information:

[Panduit:](#)

[PP1S-S10-C](#) [PP2S-S10-C](#) [PP2S-S10-C0](#) [PP1S-S12-C](#) [PP2S-S12-C](#)