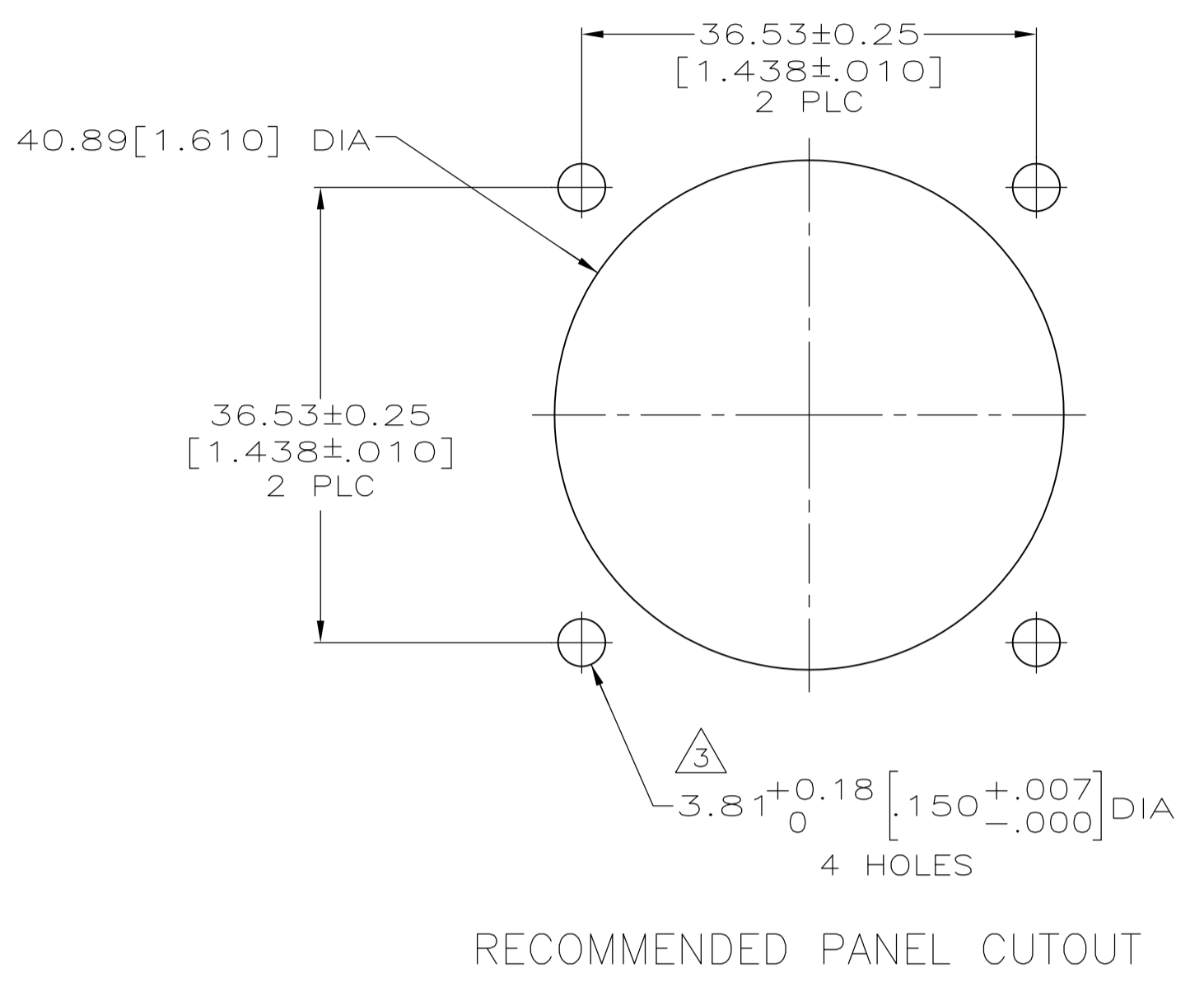
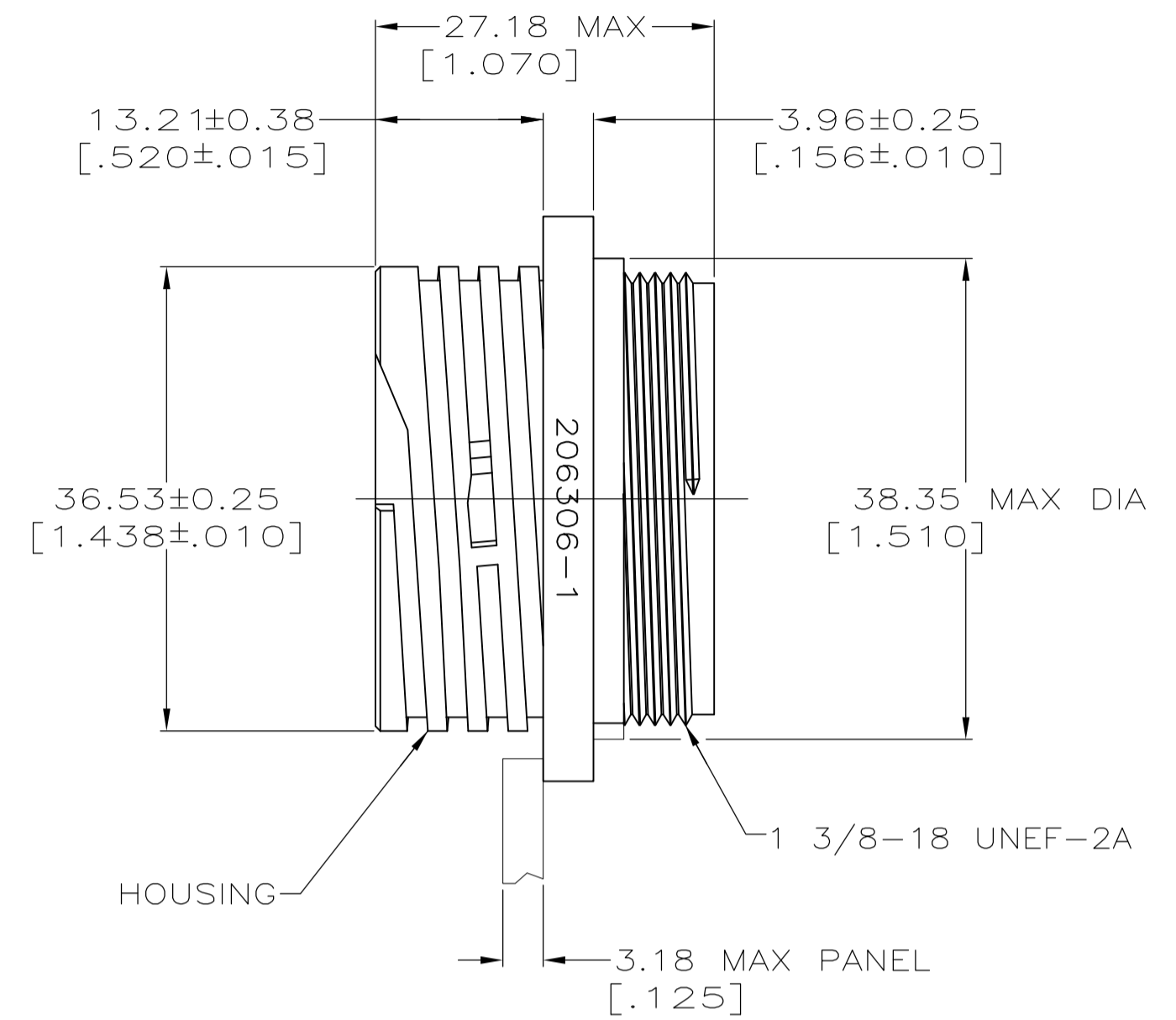
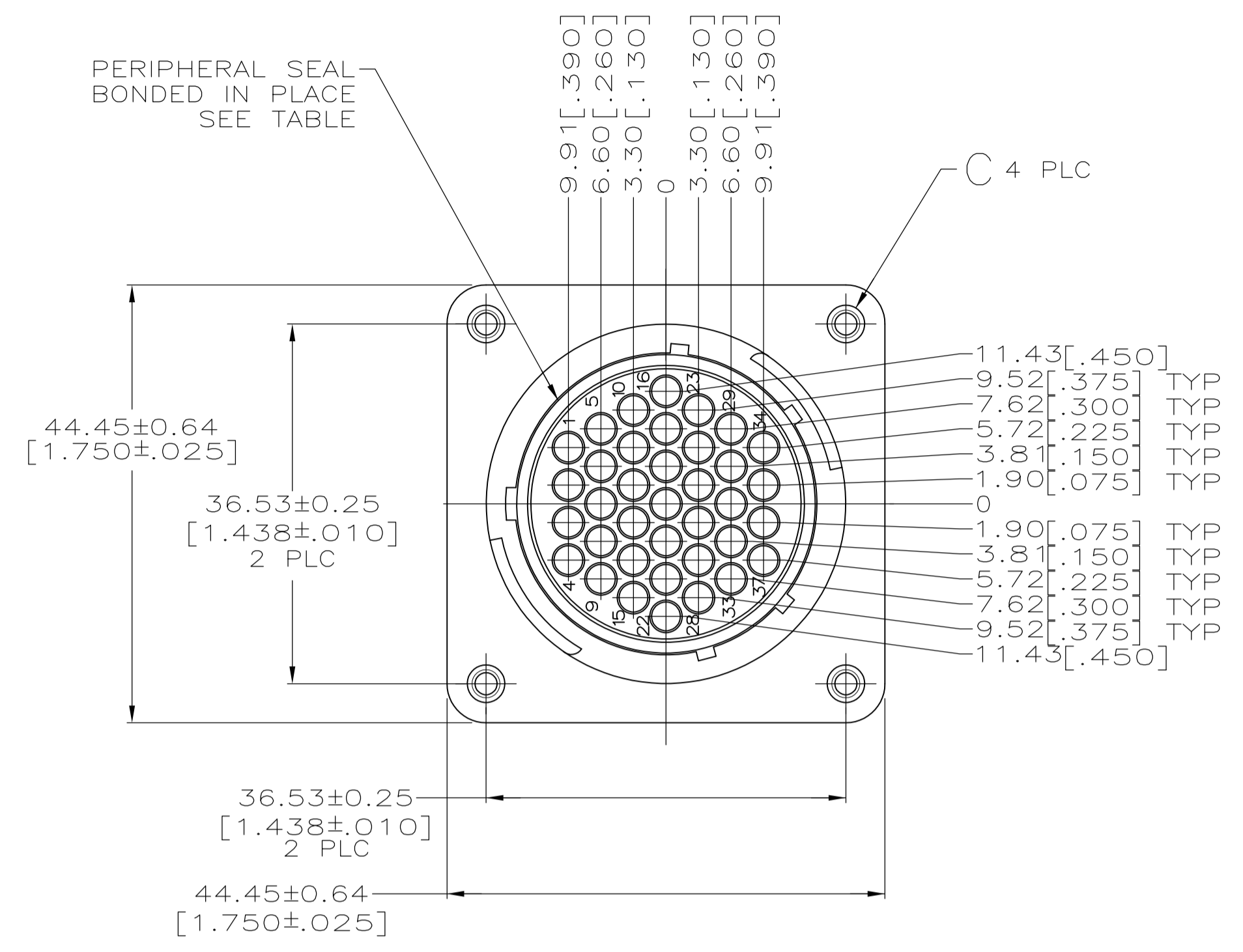
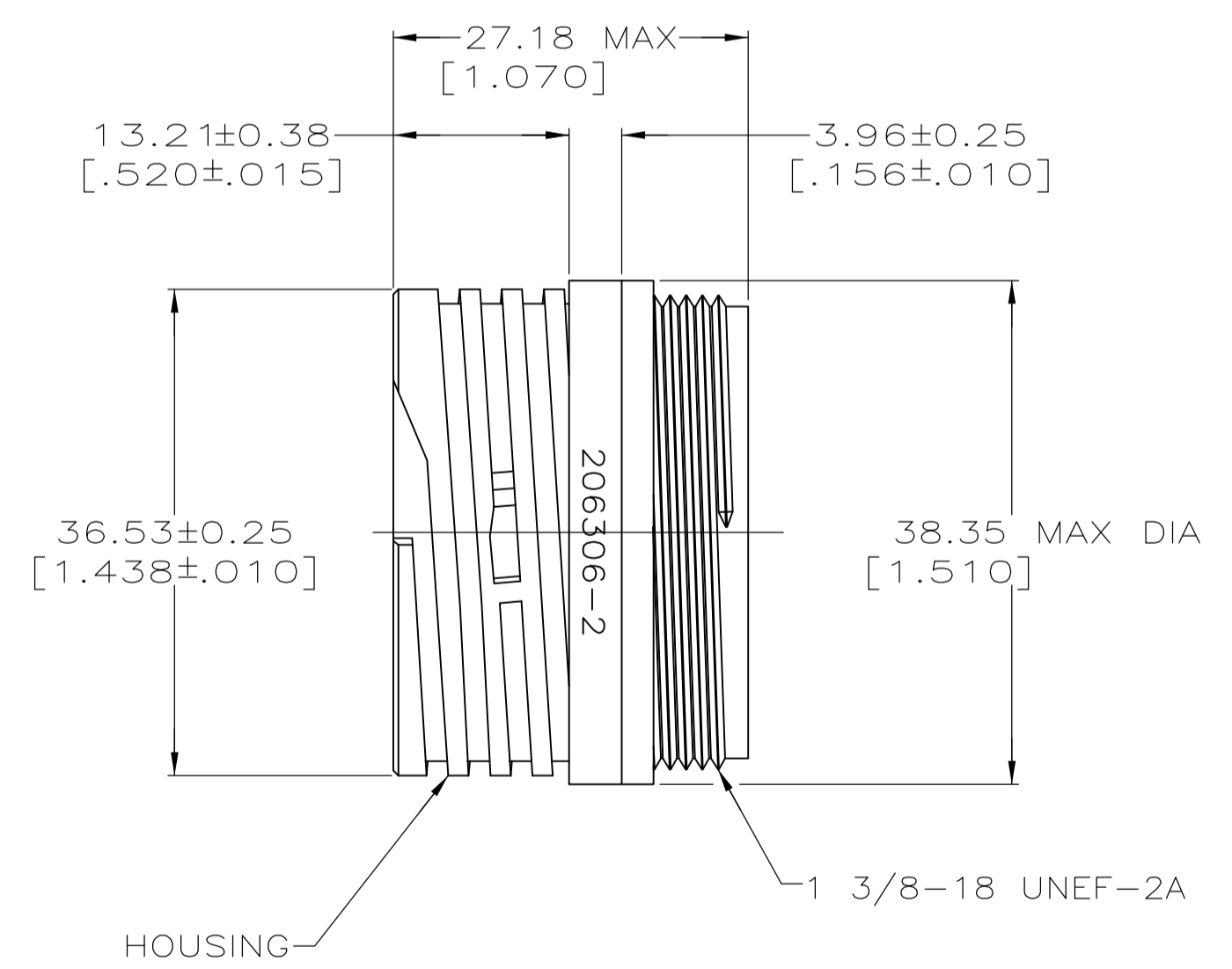
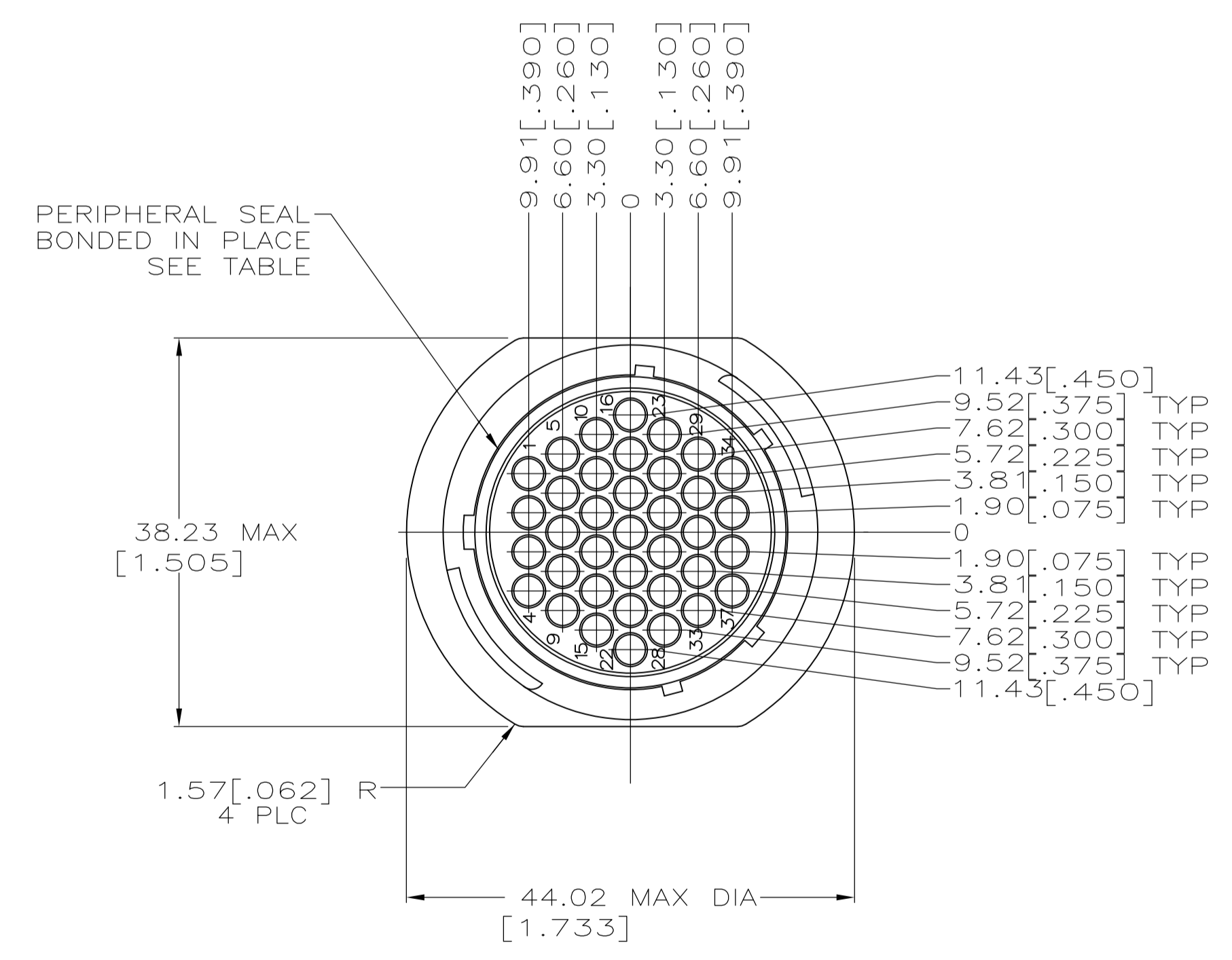


REVISIONS					
P	LTR	DESCRIPTION	DATE	DN	APVD
L1		REVISED PER ECO-15-010630	27JUL2015	NK	MZ
M		REVISED PER ECO-17-000037	15MAR2017	RS	MZ



DETAIL A



DETAIL B

STANDARD	NO	3.81 [.150] DIA HOLE	A	4	206306-8
STANDARD	NO	3.81 [.150] DIA HOLE	A		206306-6
STANDARD	NO	4-40 THREADED INSERT	A		206306-5
STANDARD	YES	-	B		206306-4
STANDARD	YES	3.81 [.150] DIA HOLE	A		206306-3
STANDARD	NO	-	B		206306-2
STANDARD	NO	3.81 [.150] DIA HOLE	A		206306-1
PACKAGING	PERIPHERAL SEAL		C	SEE DETAIL	PART NUMBER

- 1 CAVITY IDENTIFICATION ON FRONT AND REAR FACE.
- 2 WILL ACCEPT THIRTY-SEVEN (37) MULTIMATE SOCKET CONTACTS.
- 3 NO 4 FASTENER RECOMMENDED FOR MOUNTING.
- 4 NYLON 6/6, NATURAL.
- 5 OBSOLETE PARTS: OBSOLETE CIS STREAMLINING PER D.RENAUD/D.SINISI

THIS DRAWING IS A CONTROLLED DOCUMENT.

DIMENSIONS: MM [INCHES]	TOLERANCES UNLESS OTHERWISE SPECIFIED:	DIN D.GELTZ 07/26/93	APVD R.STONE 08/13/93	NAME
0 PLC ± -	1 PLC ± -	2 PLC ± ± 0.13 [.005]	3 PLC ± -	4 PLC ± -
ANGLES ± -				
MATERIAL HOUSING: NYLON, BLACK	FINISH -	WEIGHT 0.000000	SIZE A1	00779 C=206306
INSERT: BRASS		CUSTOMER DRAWING	SCALE 2:1	SHEET 1 OF 1 REV M

STE TE Connectivity

RECEPTACLE HOUSING, REVERSE SEX, SHELL SIZE 23, CPC

Mouser Electronics

Authorized Distributor

Click to View Pricing, Inventory, Delivery & Lifecycle Information:

[TE Connectivity:](#)

[206306-4](#)