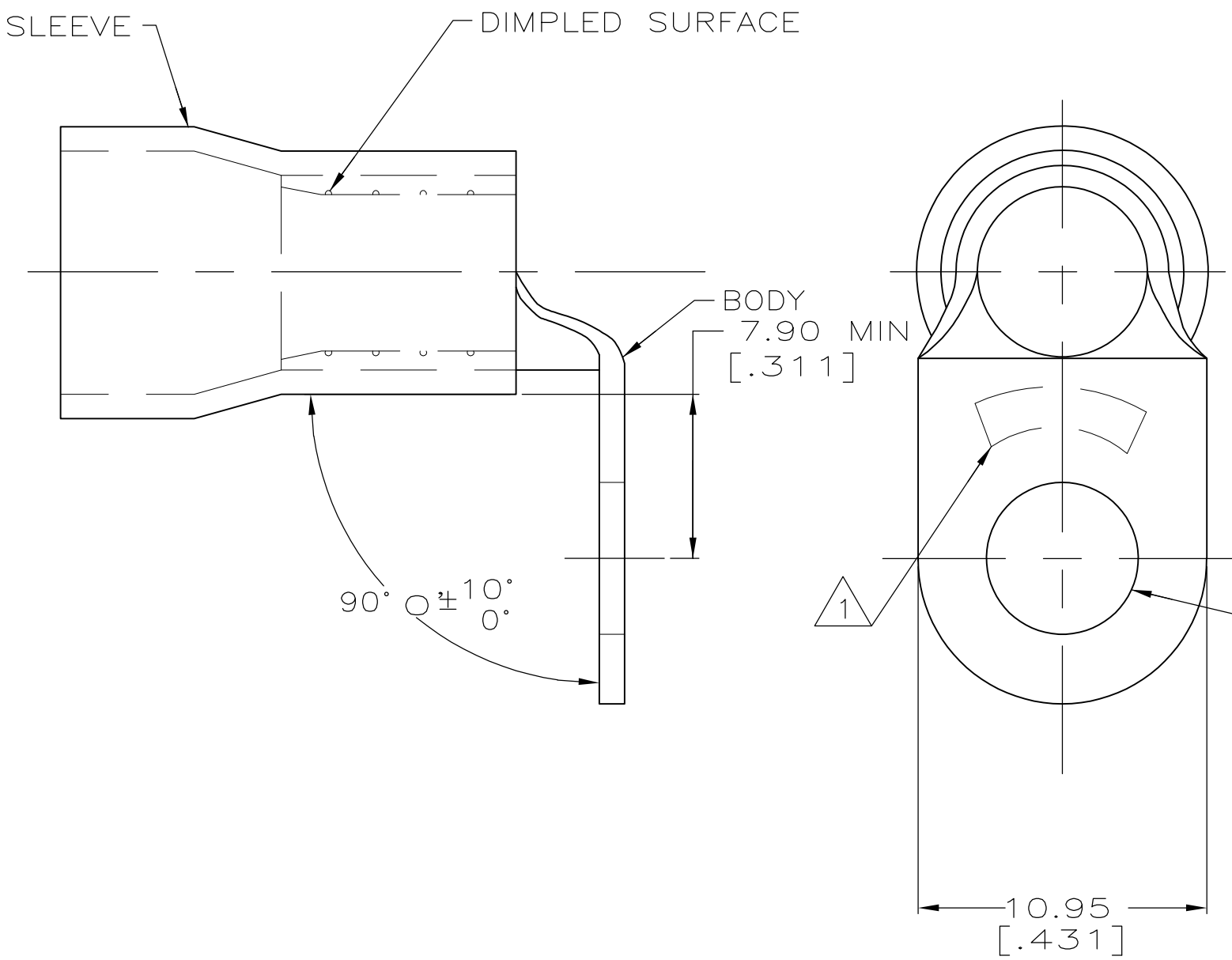


THIS DRAWING IS UNPUBLISHED. RELEASED FOR PUBLICATION  
 © COPYRIGHT BY TYCO ELECTRONICS CORPORATION. ALL INTERNATIONAL RIGHTS RESERVED.

LOC	DIST	REVISIONS					
		P	LTR	DESCRIPTION	DATE	DWN	APVD
G	14						
			D1	REVISED PER ECO-11-002228	11FEB11	HMR	DR

<b>AMP</b> WIRE RANGE	FILE E13288	LR7189 Certified
8 AWG STRANDED	8 AWG STRANDED	8 AWG STRANDED



- 1 STAMP AMP 8\* LOCATE APPROX AS SHOWN
- 2 TONGUE MATERIAL THK 1.02±0.08[.040±.003]
- 3 WIRE INSULATION DIA 9.14[.360] MAX

5.00±0.08  
 [.197±.003] DIA  
 (FOR #10 STUD)

100	LOOSE PC	55654-1
QTY	PACKAGE TYPE	PART NO

<b>AMP INCORPORATED CUSTOMER SERVICE SYSTEMS</b>		MAX RECOMMENDED OPERATING TEMPERATURE: 105° C
FOR ADDITIONAL PRODUCT INFORMATION OR COPIES OF DRAWINGS AND TECHNICAL DOCUMENTS	PRODUCT INFORMATION CENTER 1-800-522-6752	VOLTAGE RATING: 600 V MAX
FOR APPLICATION TOOLING INFORMATION	TOOLING ASSISTANCE CENTER 1-800-722-1111	CIRCULAR MIL AREA: 6.64-10.54mm <sup>2</sup> [13,100-20,800] STRANDED
FOR ORDER ENTRY	1-800-526-5142	THIS DRAWING IS A CONTROLLED DOCUMENT FOR AMP INCORPORATED. IT IS SUBJECT TO CHANGE AND THE CONTROLLING ENGINEERING ORGANIZATION SHOULD BE CONTACTED FOR THE LATEST REVISION.

THIS DRAWING IS A CONTROLLED DOCUMENT.	
DIMENSIONS: mm [INCHES]	TOLERANCES UNLESS OTHERWISE SPECIFIED:
	0 PLC ± -
	1 PLC ± -
	2 PLC ± 0.20[.008]
	3 PLC ± -
	4 PLC ± -
	ANGLES ± -
MATERIAL COPPER PER ASTM B-152 PVC, COLOR: RED	FINISH TIN PLATE PER ASTM B545

DWN S.S. GOULDEN 10-12-93	Tyco Electronics Corporation Harrisburg, PA 17105-3608	
CHK R. HERSEY 10-12-93	NAME TERMINAL, RING TONGUE-BENT 90 DEG PLASTI-GRIP, WIRE SIZE: 8 AWG	
APVD B. BARE 10-12-93	PRODUCT SPEC NOT AVAILABLE	RESTRICTED TO -
APPLICATION SPEC 114-2161	SIZE A3	CAGE CODE 00779
WEIGHT -	DRAWING NO G-55654	SCALE 4:1
CUSTOMER DRAWING		SHEET 1 OF 1
		REV D1

# Mouser Electronics

Authorized Distributor

Click to View Pricing, Inventory, Delivery & Lifecycle Information:

[TE Connectivity:](#)

[55654-1](#)