



Features:

- Motor: Brushless DC
- Motor Protection: Impedance Protected
- Bearing Type: Two Ball, Sleeve, or Hydro Dynamic
- Connection: UL 1007 AWG 26, 295mm Wire Leads
- Frame Material: Plastic UL94V-0
- Impeller Material: Plastic UL94V-0
- Operating Temp:
 - Two Ball: -10°C~70°C
 - Sleeve: -10°C~60°C
 - Hydro Dynamic: -10°C~70°C
- Life Expectancy:
 - Two Ball: 70,000 Hours
 - Sleeve: 30,000 Hours
 - Hydro Dynamic: 50,000 Hours



Fan-S Division



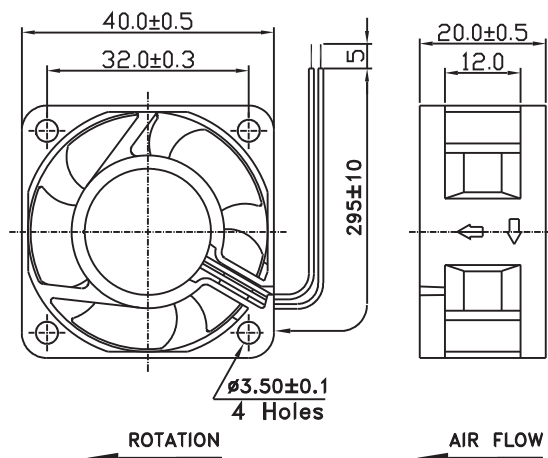
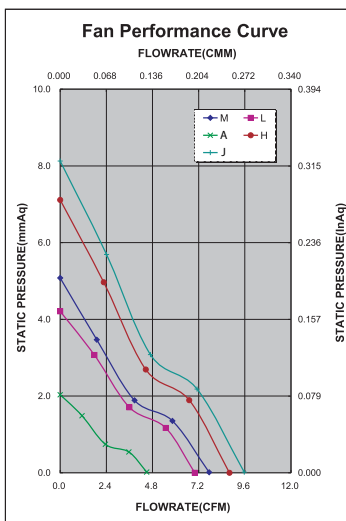
Model No.	Volt.	Current	Power	Rated Speed	Maximum AirFlow		Maximum Static Pressure		Noise Level	Weight
	(VDC)	(A)	(W)	(rpm)	(CMM)	(CFM)	(InAq)	(mmAq)	(dB/A)	(g)
FAD1-04020B * AW11	5	0.09	0.45	4200	0.127	4.489	0.080	2.032	17.5	28.0
FAD1-04020B * LW11	5	0.14	0.70	6200	0.198	6.999	0.165	4.191	30.0	28.0
FAD1-04020B * MW11	5	0.16	0.80	6900	0.219	7.741	0.200	5.080	33.0	28.0
FAD1-04020B * HW11	5	0.25	1.25	7800	0.249	8.802	0.280	7.112	36.0	28.0
FAD1-04020C * AW11	12	0.04	0.48	4200	0.127	4.489	0.080	2.032	17.5	28.0
FAD1-04020C * LW11	12	0.07	0.84	6200	0.198	6.999	0.165	4.191	30.0	28.0
FAD1-04020C * MW11	12	0.08	0.96	6900	0.219	7.741	0.200	5.080	33.0	28.0
FAD1-04020C * HW11	12	0.10	1.20	7800	0.249	8.802	0.280	7.112	36.0	28.0
FAD1-04020C * JW11	12	0.14	1.68	8500	0.271	9.579	0.320	8.128	37.5	28.0
FAD1-04020D * AW11	24	0.05	1.20	4200	0.127	4.489	0.080	2.032	17.5	28.0
FAD1-04020D * LW11	24	0.05	1.20	6200	0.198	6.999	0.165	4.191	30.0	28.0
FAD1-04020D * MW11	24	0.06	1.44	6900	0.219	7.741	0.200	5.080	33.0	28.0
FAD1-04020D * HW11	24	0.07	1.68	7800	0.249	8.802	0.280	7.112	36.0	28.0

* Indicates "B" (Ball Bearing), "S" (Sleeve), or "H" (Hydro Dynamic)

Noise is measured at the distance of one (1) meter from the axis of intake.

Note 1: FAD1-04020BBAW11, FAD1-04020DBAW11, FAD1-04020BSAW11, FAD1-04020DSAW11, FAD1-04020BHAW11, FAD1-04020DHAW11 has no approvals.

Note 2: FAD1-04020CBAW11, FAD1-04020CSAW11, FAD1-04020CHAW11 has CE and TUV approvals only



Mouser Electronics

Authorized Distributor

Click to View Pricing, Inventory, Delivery & Lifecycle Information:

Qualtek:

[FAD1-04020BBAW11](#) [FAD1-04020BBHW11](#) [FAD1-04020BBLW11](#) [FAD1-04020BBMW11](#) [FAD1-04020BHAW11](#)
[FAD1-04020BHHW11](#) [FAD1-04020BHLW11](#) [FAD1-04020BHMW11](#) [FAD1-04020BSAW11](#) [FAD1-04020BSHW11](#)
[FAD1-04020BSLW11](#) [FAD1-04020BSMW11](#) [FAD1-04020CBAW11](#) [FAD1-04020CBHW11](#) [FAD1-04020CBJW11](#)
[FAD1-04020CBLW11](#) [FAD1-04020CBMW11](#) [FAD1-04020CHAW11](#) [FAD1-04020CHHW11](#) [FAD1-04020CHJW11](#)
[FAD1-04020CHLW11](#) [FAD1-04020CHMW11](#) [FAD1-04020CSAW11](#) [FAD1-04020CSHW11](#) [FAD1-04020CSJW11](#)
[FAD1-04020CSLW11](#) [FAD1-04020CSMW11](#) [FAD1-04020DBAW11](#) [FAD1-04020DBHW11](#) [FAD1-04020DBLW11](#)
[FAD1-04020DBMW11](#) [FAD1-04020DHAW11](#) [FAD1-04020DHHW11](#) [FAD1-04020DHLW11](#) [FAD1-04020DHMW11](#)
[FAD1-04020DSAW11](#) [FAD1-04020DSHW11](#) [FAD1-04020DSLW11](#) [FAD1-04020DSMW11](#)