

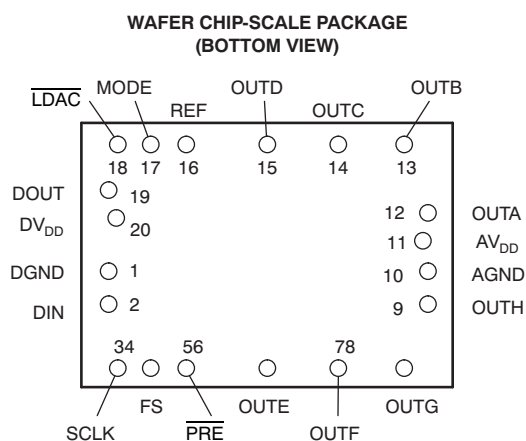
2.7V to 5.5V, 12-Bit, Octal DIGITAL-TO-ANALOG CONVERTER in a Wafer Chip-Scale Package—Pb-Free/Green

FEATURES

- Eight, 12-Bit, Voltage Output DACs in One Package
- Pin-Compatible, Pb-Free, RoHS-Compliant Upgrade to the TLV5610IYE
- Programmable Settling Time versus Power Consumption:
 - 1 μ s in Fast Mode
 - 3 μ s in Slow Mode
- Compatible With TMS320™ DSP Family and SPI™ Serial Ports
- Differential and Single-Ended Analog Input/Output
- Separate Software Control for ADC and DAC Power Down
- Monotonic Over Temperature
- Low Power Consumption:
 - 18mW in Slow Mode at 3V
 - 48mW in Fast Mode at 3V
- Power Down Mode
- Buffered, High-Impedance Reference Inputs
- Data Output for Daisy-Chaining

APPLICATIONS

- Digital Servo-Control Loops
- Digital Offset and Gain Adjustment
- Industrial Process Control
- Machine and Motion Control Devices
- Mass Storage Devices



DESCRIPTION

The TLV5610IYZ is the lead-free version of the TLV5610IYE, an eight-channel, 12-bit, voltage output digital-to-analog converter (DAC) with a flexible serial interface. The serial interface allows glueless interface to TMS320 and SPI, QSPI™, and Microwire™ serial ports. It is programmed with a 16-bit serial string containing four control and 12 data bits.

Additional features include a power-down mode, an $\overline{\text{LDAC}}$ input for simultaneous update of all eight DAC outputs, and a data output that can be used to cascade multiple devices.

The resistor string output voltage is buffered by a rail-to-rail output amplifier with a programmable settling time to allow the designer to optimize speed versus power dissipation. The buffered, high-impedance reference input can be connected to the supply voltage.

The TLV5610IYZ is implemented in a CMOS process and is available in a 20-terminal wafer chip-scale package (WCSP). The TLV5610IYZ is characterized for operation from -40°C to $+85^{\circ}\text{C}$ in a wire-bonded small outline (SO) package.



Please be aware that an important notice concerning availability, standard warranty, and use in critical applications of Texas Instruments semiconductor products and disclaimers thereto appears at the end of this data sheet.

TMS320 is a trademark of Texas Instruments, Inc.
SPI, QSPI are trademarks of Motorola, Inc.
Microwire is a trademark of National Semiconductor Corp.
All other trademarks are the property of their respective owners.



This integrated circuit can be damaged by ESD. Texas Instruments recommends that all integrated circuits be handled with appropriate precautions. Failure to observe proper handling and installation procedures can cause damage.

ESD damage can range from subtle performance degradation to complete device failure. Precision integrated circuits may be more susceptible to damage because very small parametric changes could cause the device not to meet its published specifications.

ORDERING INFORMATION

| | |
|----------------|--------------------------------------|
| T_A | WCSP-20 PACKAGE⁽¹⁾ |
| –40°C to +85°C | TLV5610IYZ |

(1) For the most current package and ordering information, see the Package Option Addendum at the end of this document, or see the TI web site at www.ti.com.

ABSOLUTE MAXIMUM RATINGS

Over operating free-air temperature range (unless otherwise noted)⁽¹⁾

| | TLV5610IYZ | UNIT |
|--|--------------------------|-------------|
| Supply voltage (AV_{DD} , DV_{DD} to GND) | 7 | V |
| Reference input voltage range | – 0.3 to $AV_{DD} + 0.3$ | V |
| Digital input voltage range | – 0.3 to $DV_{DD} + 0.3$ | V |
| Operating free-air temperature range, T_A | –40 to +85 | °C |

(1) Stresses beyond those listed under *absolute maximum ratings* may cause permanent damage to the device. These are stress ratings only and functional operation of the device at these or any other conditions beyond those indicated under *recommended operating conditions* is not implied. Exposure to absolute-maximum-rated conditions for extended periods may affect device reliability.

RECOMMENDED OPERATING CONDITIONS

| | | MIN | NOM | MAX | UNIT |
|---------------------------------------|----------------------------|------------|------------|------------|-------------|
| Supply voltage, AV_{DD} , DV_{DD} | 5V operation | 4.5 | 5 | 5.5 | V |
| | 3V operation | 2.7 | 3 | 3.3 | V |
| High-level digital input, V_{IH} | $DV_{DD} = 2.7V$ to $5.5V$ | 2 | | | V |
| Low-level digital input, V_{IL} | $DV_{DD} = 2.7V$ to $5.5V$ | | | 0.8 | V |
| Reference voltage, V_{REF} | $AV_{DD} = 5V$ | GND | 4.096 | AV_{DD} | V |
| | $AV_{DD} = 3V$ | GND | 2.048 | AV_{DD} | V |
| Load resistance, R_L | | 2 | | | k Ω |
| Load capacitance, C_L | | | | 100 | pF |
| Clock frequency, f_{CLK} | | | | 30 | MHz |
| Operating free-air temperature, T_A | | –40 | | +85 | °C |

ELECTRICAL CHARACTERISTICS

Over operating free-air temperature range (unless otherwise noted)

| PARAMETER | | TEST CONDITIONS | | MIN | TYP | MAX | UNIT |
|--|---|--|---|------|-----|----------------------|----------------|
| Power Supply | | | | | | | |
| I _{DD} | Power-supply current | Fast | No load, V _{REF} = 4.096V, all inputs = DV _{DD} or GND | 16 | 21 | | mA |
| | | Slow | | 6 | 8 | | mA |
| Power-down supply current | | | | 0.1 | | | μA |
| POR | Power-on threshold | | | 2 | | | V |
| PSRR | Power-supply rejection ratio | Full-scale; see Note (1) | | –60 | | | dB |
| Static DAC Specifications | | | | | | | |
| Resolution | | | | 12 | | | Bits |
| INL | Integral nonlinearity | Code 40 to 4095, V _{REF} = 2V, 4V | | ±2 | ±6 | | LSB |
| DNL | Differential nonlinearity | Code 40 to 4095, V _{REF} = 2V, 4V | | ±0.5 | ±1 | | LSB |
| E _{ZS} | Zero-scale error (offset error at zero-scale) | | | | | ±30 | mV |
| E _{ZS} TC | Zero-scale error temperature coefficient | | | | 30 | | μV/°C |
| E _G | Gain error | | | | | ±0.6 | % Full-Scale V |
| E _G TC | Gain error temperature coefficient | | | | 10 | | ppm/°C |
| Output Specifications | | | | | | | |
| V _O | Voltage output range | R _L = 10kΩ | | 0 | | AV _{DD} – 4 | V |
| Output load regulation accuracy | | R _L = 2kΩ vs 10kΩ | | | | ±0.3 | % Full-Scale V |
| Reference Input | | | | | | | |
| V _I | Input voltage range | | | 0 | | AV _{DD} | V |
| R _I | Input resistance | | | | 100 | | kΩ |
| C _I | Input capacitance | | | | 5 | | pF |
| | Reference input bandwidth | Fast | V _{REF} = 0.4V _{PP} + 2.048V _{DC} , input code = 0x800 | | 2.2 | | MHz |
| | | Slow | | | 1.9 | | MHz |
| Reference feedthrough | | V _{REF} = 2V _{PP} at 1kHz + 2.048V _{DC} (2) | | –84 | | | dB |
| Digital Inputs | | | | | | | |
| I _{IH} | High-level digital input current | V _I = DV _{DD} | | | | 1 | μA |
| I _{IL} | Low-level digital input current | V _I = 0V | | –1 | | | μA |
| C _I | Input capacitance | | | | 8 | | pF |
| Digital Outputs | | | | | | | |
| V _{OH} | High-level digital output voltage | R _L = 10kΩ | | 2.6 | | | V |
| V _{OL} | Low-level digital output voltage | R _L = 10kΩ | | | | 0.4 | V |
| Output voltage rise time | | R _L = 10kΩ, C _L = 20pF, incl. propagation delay | | 7 | 20 | | ns |
| Analog Output Dynamic Performance | | | | | | | |
| t _S (FS) | Output settling time(3), full-scale | Fast | R _L = 10kΩ, C _L = 1000pF | 1 | 3 | | μs |
| | | Slow | | 3 | 7 | | μs |
| t _S (CC) | Output settling time(4), code to code | Fast | R _L = 10kΩ, C _L = 1000pF | 0.5 | 1 | | μs |
| | | Slow | | 1 | 2 | | μs |
| SR | Slew rate(5) | Fast | R _L = 10kΩ, C _L = 1000pF | 4 | 10 | | V/μs |
| | | Slow | | 1 | 3 | | V/μs |
| Glitch energy | | See Note (6) | | | 4 | | nV-s |
| Channel crosstalk | | 10kHz sine, 4V _{PP} | | –90 | | | dB |

(1) Power-supply rejection ratio at full-scale is measured by varying AV_{DD} and is given by the following equation:

$$PSRR = 20 \log[(EG(AV_{DDmax}) - EG(AV_{DDmin})) / V_{DDmax}]$$

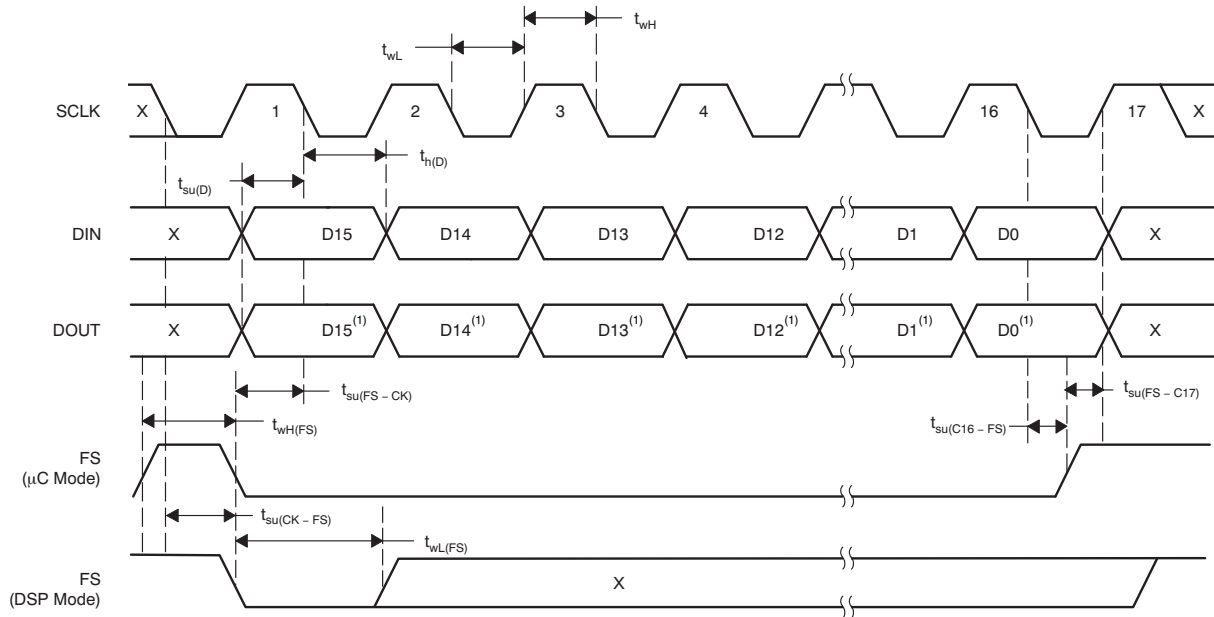
(2) Reference feedthrough is measured at the DAC output with an input code = 0x000.

(3) Settling time is the time for the output signal to remain within ±0.5 LSB of the final measured value for a digital input code change of 0x80 to 0xFFF and 0xFFF to 0x080, respectively. Assured by design; not production tested.

(4) Settling time is the time for the output signal to remain within ±0.5 LSB of the final measured value for a digital input code change of one count. The max time applies to code changes near zero scale or full-scale. Assured by design; not production tested.

(5) Slew rate determines the time it takes for a change of the DAC output from 10% to 90% full-scale voltage.

(6) Code transition: 0x7FF to 0x800.



NOTE: (1) Previous input data.

Figure 1. Serial Interface Timing

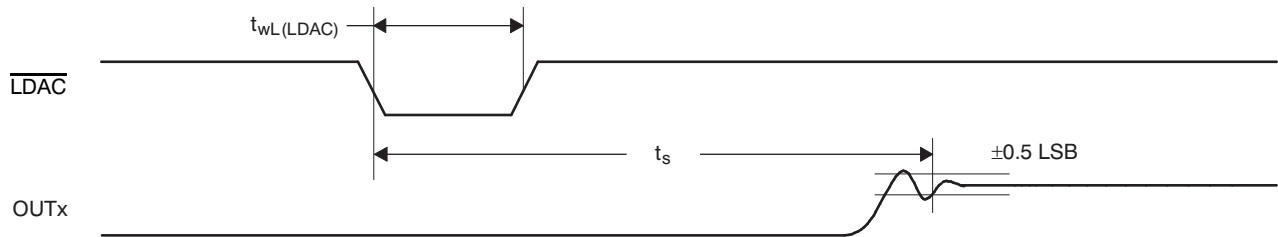
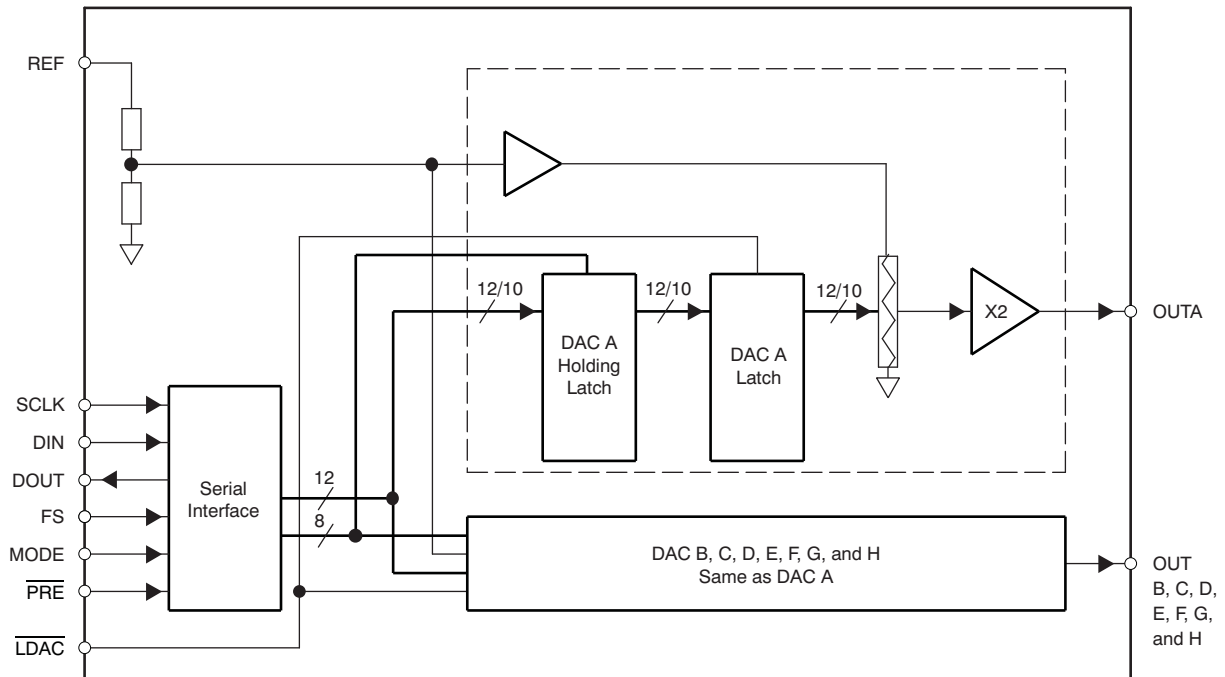


Figure 2. Output Timing

DIGITAL INPUT TIMING REQUIREMENTS

| PARAMETER | | MIN | TYP | MAX | UNIT |
|------------------|--|---|-----|-----|------|
| $t_{su}(FS-CK)$ | Setup time, FS low before next negative SCLK edge | 8 | | | ns |
| $t_{su}(C16-FS)$ | Setup time, 16th negative edge after FS low on which bit D0 is sampled before rising edge of FS. μ C mode only | 10 | | | ns |
| $t_{su}(FS-C17)$ | μ C mode, setup time, FS high before 17th positive SCLK. | 10 | | | ns |
| $t_{su}(CK-FS)$ | DSP mode, setup time, SLCK low before FS low. | 5 | | | ns |
| $t_{wL}(LDAC)$ | LDAC duration low | 10 | | | ns |
| t_{wH} | SCLK pulse duration high | 16 | | | ns |
| t_{wL} | SCLK pulse duration low | 16 | | | ns |
| $t_{su}(D)$ | Setup time, data ready before SCLK falling edge | 8 | | | ns |
| $t_{h}(D)$ | Hold time, data held valid after SCLK falling edge | 5 | | | ns |
| $t_{wH}(FS)$ | FS duration high | 10 | | | ns |
| $t_{wL}(FS)$ | FS duration low | 10 | | | ns |
| t_s | Settling time | See Analog Output Dynamic Performance | | | |

Functional Block Diagram



Terminal Functions

| TERMINAL | | I/O | DESCRIPTION |
|------------------|------------|-----|--|
| NAME | NO. | | |
| AGND | 10 | P | Analog ground |
| AV _{DD} | 11 | P | Analog power supply |
| DGND | 1 | P | Digital ground |
| DIN | 2 | I | Digital serial data input |
| DOUT | 19 | O | Digital serial data output |
| DV _{DD} | 20 | P | Digital power supply |
| FS | 4 | I | Frame sync input |
| LDAC | 18 | I | Load DAC. The DAC outputs are only updated if this signal is low. It is an asynchronous input. |
| MODE | 17 | I | DSP/μC mode pin. High = μC mode; NC = DSP mode. |
| PRE | 5 | I | Preset input |
| REF | 16 | I | Voltage reference input |
| SCLK | 3 | I | Serial clock input |
| OUTA–OUTH | 12–15, 6–9 | O | DAC outputs A, B, C, D, E, F, G and H |

TYPICAL CHARACTERISTICS

OUTPUT LOAD REGULATION

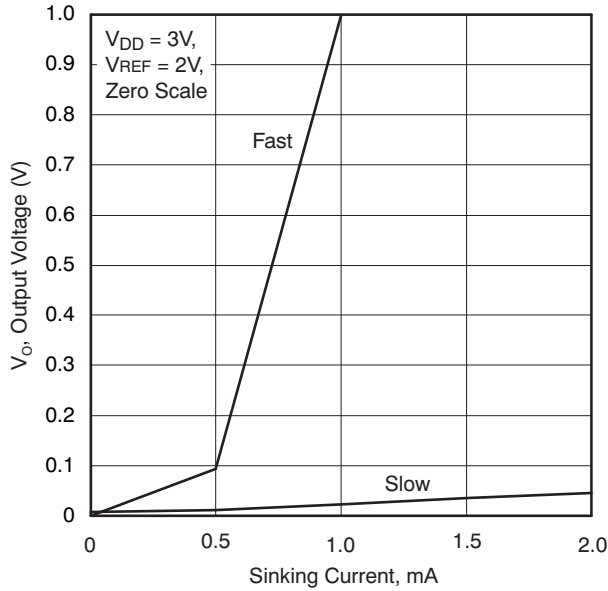


Figure 3.

OUTPUT LOAD REGULATION

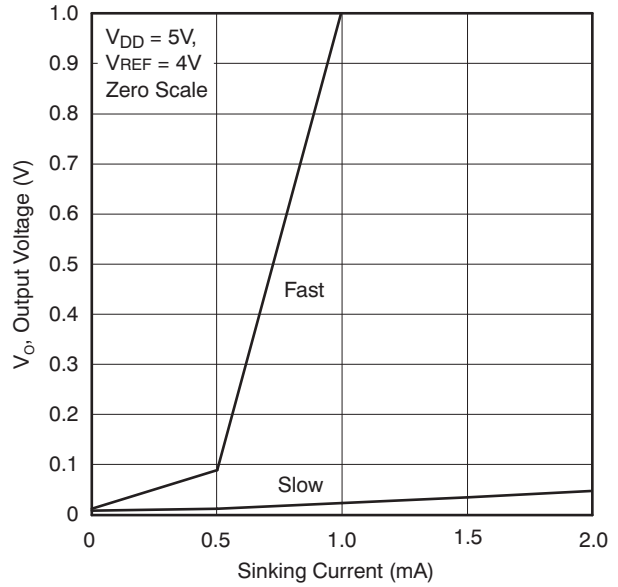


Figure 4.

OUTPUT LOAD REGULATION

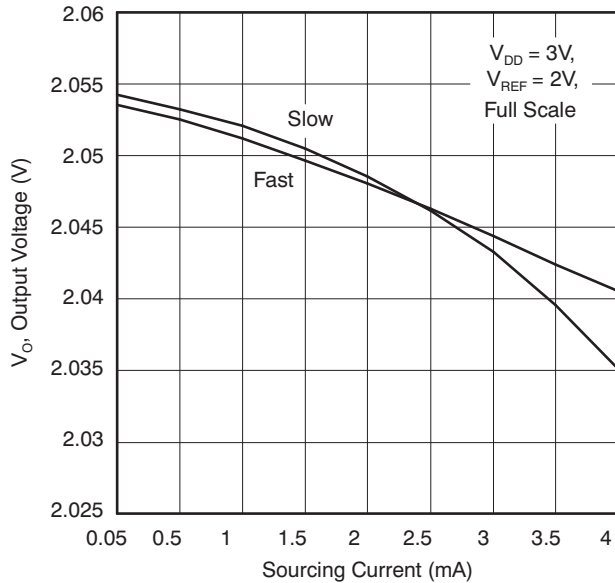


Figure 5.

OUTPUT LOAD REGULATION

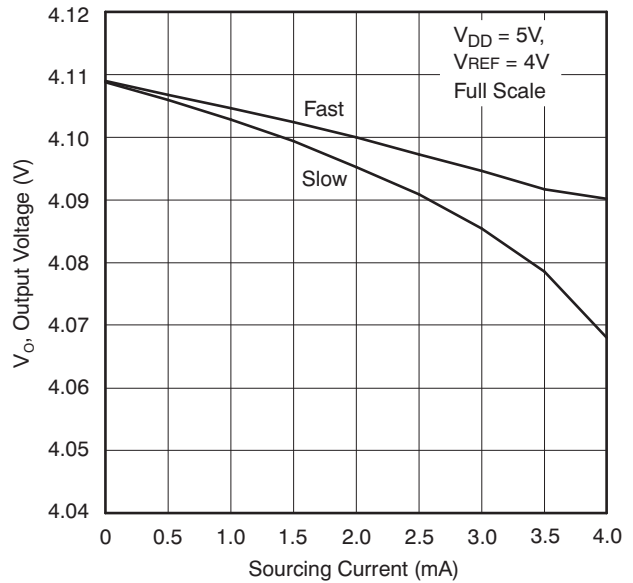


Figure 6.

TYPICAL CHARACTERISTICS (continued)

**INTEGRAL NONLINEARITY
vs CODE**

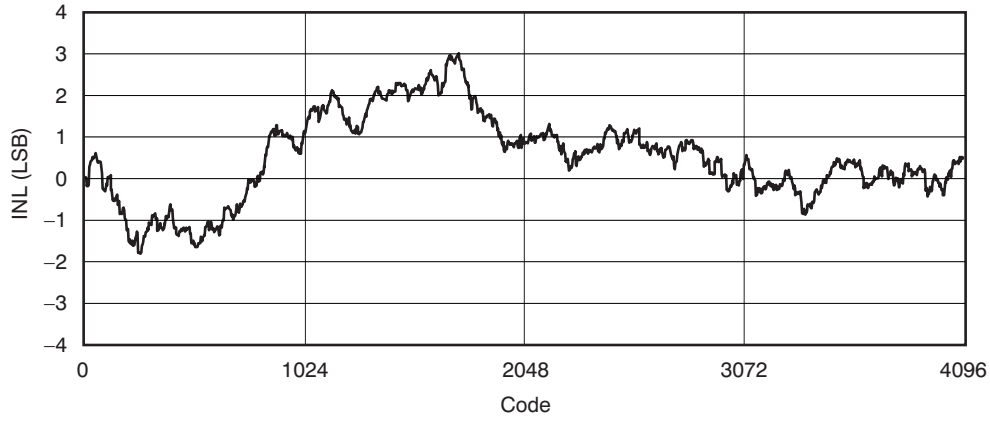


Figure 7.

**DIFFERENTIAL NONLINEARITY
vs CODE**

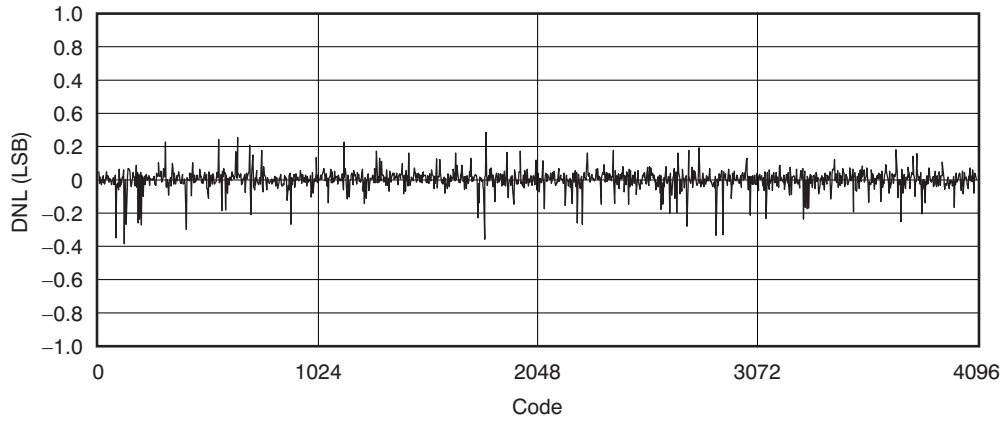


Figure 8.

APPLICATION INFORMATION

GENERAL FUNCTION

The TLV5610IYZ is an eight-channel, 12-bit, single-supply DAC, based on a resistor string architecture. The TLV5610IYZ, a green/PB-free device, is pin-compatible with the TLV5610IYE. The TLV5610IYZ consists of a serial interface, a speed and power-down control logic, a reference input buffer, a resistor string, and a rail-to-rail output buffer.

The output voltage (full-scale determined by external reference) for each channel is given by:

$$V_{OUT} = V_{REF} \frac{CODE}{0x1000} \quad (1)$$

Where:

REF is the reference voltage.

CODE is the digital input value.

The input range is 0x000 to 0xFFF.

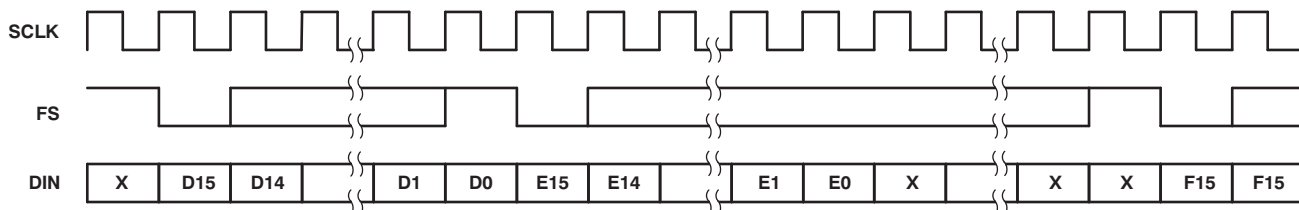
A power on reset initially puts the internal latches to a defined state (all bits zero).

SERIAL INTERFACE

A falling edge of FS starts shifting the data on DIN, starting with the MSB to the internal register on the falling edges of SCLK. After 16 bits have been transferred, the content of the shift register is moved to one of the DAC holding registers, depending on the address bits within the data word. A logic '0' on the \overline{LDAC} pin is required to transfer the content of the DAC holding register to the DAC latch and to update the DAC outputs. \overline{LDAC} is an asynchronous input; it can be held low if a simultaneous update of all eight channels is not needed.

For daisy-chaining, DOUT provides the data sampled on DIN with a delay of 16 clock cycles.

DSP Mode:



μC Mode:

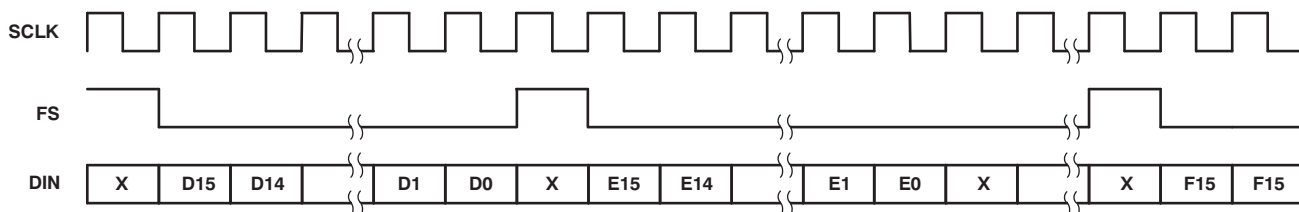


Figure 9. Timing Diagrams

The differences between DSP mode (MODE = NC or 0) and μC (MODE = 1) mode:

- In μC mode, FS must be held low until all 16 data bits have been transferred. If FS is driven high before the 16th falling clock edge, the data transfer is cancelled. The DAC is updated after a rising edge on FS.
- In DSP mode, FS must only stay low for 20ns and can go high before the 16th falling clock edge.

APPLICATION INFORMATION (continued)**SERIAL CLOCK FREQUENCY AND UPDATE RATE**

The maximum serial clock frequency is given by:

$$f_{\text{sclkmax}} = \frac{1}{t_{\text{whmin}} + t_{\text{wlmin}}} = 30\text{MHz} \quad (2)$$

The maximum update rate is given by:

$$f_{\text{updatemax}} = \frac{1}{16(t_{\text{whmin}} + t_{\text{wlmin}})} = 1.95\text{MHz} \quad (3)$$

Note that the maximum update rate is just a theoretical value for the serial interface because the settling time of the DAC must also be considered.

DATA FORMAT

The 16 bit data word consists of two parts:

1. Address bits (D15...D12)
2. Data bits (D11...D0)

Table 1. Data Format⁽¹⁾

| D15 | D14 | D13 | D12 | D11 | D10 | D9 | D8 | D7 | D6 | D5 | D4 | D3 | D2 | D1 | D0 |
|-----|-----|-----|-----|------|-----|----|----|----|----|----|----|----|----|----|----|
| A3 | A2 | A1 | A0 | Data | | | | | | | | | | | |

(1) Ax: Address bits. See [Table 2](#).

REGISTER MAP**Table 2. Register Map**

| A3 | A2 | A1 | A0 | FUNCTION |
|----|----|----|----|---------------------|
| 0 | 0 | 0 | 0 | DAC A |
| 0 | 0 | 0 | 1 | DAC B |
| 0 | 0 | 1 | 0 | DAC C |
| 0 | 0 | 1 | 1 | DAC D |
| 0 | 1 | 0 | 0 | DAC E |
| 0 | 1 | 0 | 1 | DAC F |
| 0 | 1 | 1 | 0 | DAC G |
| 0 | 1 | 1 | 1 | DAC H |
| 1 | 0 | 0 | 0 | CTRL0 |
| 1 | 0 | 0 | 1 | CTRL1 |
| 1 | 0 | 1 | 0 | Preset |
| 1 | 0 | 1 | 1 | Reserved |
| 1 | 1 | 0 | 0 | DAC A and \bar{B} |
| 1 | 1 | 0 | 1 | DAC C and \bar{D} |
| 1 | 1 | 1 | 0 | DAC E and \bar{F} |
| 1 | 1 | 1 | 1 | DAC G and \bar{H} |

DAC A-H AND TWO-CHANNEL REGISTERS

Writing to DAC A–H sets the output voltage of channel A–H. It is possible to automatically generate the complement of one channel by writing to one of the four, two-channel registers (DAC A and \bar{B} , etc.).

The TLV5610IYZ decodes all 12 data bits.

PRESET

The outputs of all DAC channels can be driven to a predefined value stored in the preset register by driving the $\overline{\text{PRE}}$ input low. The $\overline{\text{PRE}}$ input is asynchronous to the clock.

CTRL0

Table 3. CTRL0 Bit Register

| D11 | D10 | D9 | D8 | D7 | D6 | D5 | D4 | D3 | D2 | D1 | D0 |
|-----|-----|----|----|----|----|----|----|----|----|----|----|
| X | X | X | X | X | X | X | PD | DO | X | X | IM |

Bit Definitions:

PD Full Device Power Down.

0 = Normal

1 = Power Down

DO Digital Output Enable.

0 = Disable

1 = Enable

IM Input Mode.

0 = Straight Binary

1 = Twos Complement

X Reserved.

If DOUT is enabled, the data input on DIN is output on DOUT with a 16-cycle delay. This feature makes it possible to daisy-chain multiple DACs on one serial bus.

CTRL1

Table 4. CTRL1 Bit Register

| D11 | D10 | D9 | D8 | D7 | D6 | D5 | D4 | D3 | D2 | D1 | D0 |
|-----|-----|----|----|----|----|----|----|----|----|----|----|
| X | X | X | X | X | X | X | PD | DO | X | X | IM |

Bit Definitions:

P_{XY} Power Down DAC_{XY}. In power-down mode, the amplifiers of the selected DAC pair within the device are disabled and the total power consumption of the device is significantly reduced. Power-down mode of a specific DAC pair can be selected by setting the P_{XY} bit within the data word to '1'.

0 = Normal

1 = Power Down

S_{XY} DAC_{XY} Speed Mode. There are two settling time modes: fast and slow. Fast mode of a DAC pair is selected by setting S_{XY} to '1', and slow mode is selected by setting S_{XY} to '0'.

0 = Slow

1 = Fast

NOTE: XY refers to DAC pair AB, CD, EF, or GH.

USING THE TLV5610IYZ WAFER CHIP-SCALE PACKAGE (WCSP)

TLV5610 qualifications are done using a wire-bonded small outline (SO) package. The qualifications include: steady state life, thermal shock, ESD, latch-up, biased HAST, autoclave, and characterization. These qualified devices are orderable as TLV5610IDW.

NOTE: The wafer chip-scale package (WCSP) for the TLV5610IYZ uses the same **die** as TLV5610IDW, but is not qualified. WCSP qualification, including board level reliability (BLR), is the responsibility of the customer.

It is recommended that underfill be used for increased reliability. BLR is application-dependent, but may include tests such as: temperature cycling, drop test, key push, bend, vibration, and package shear.

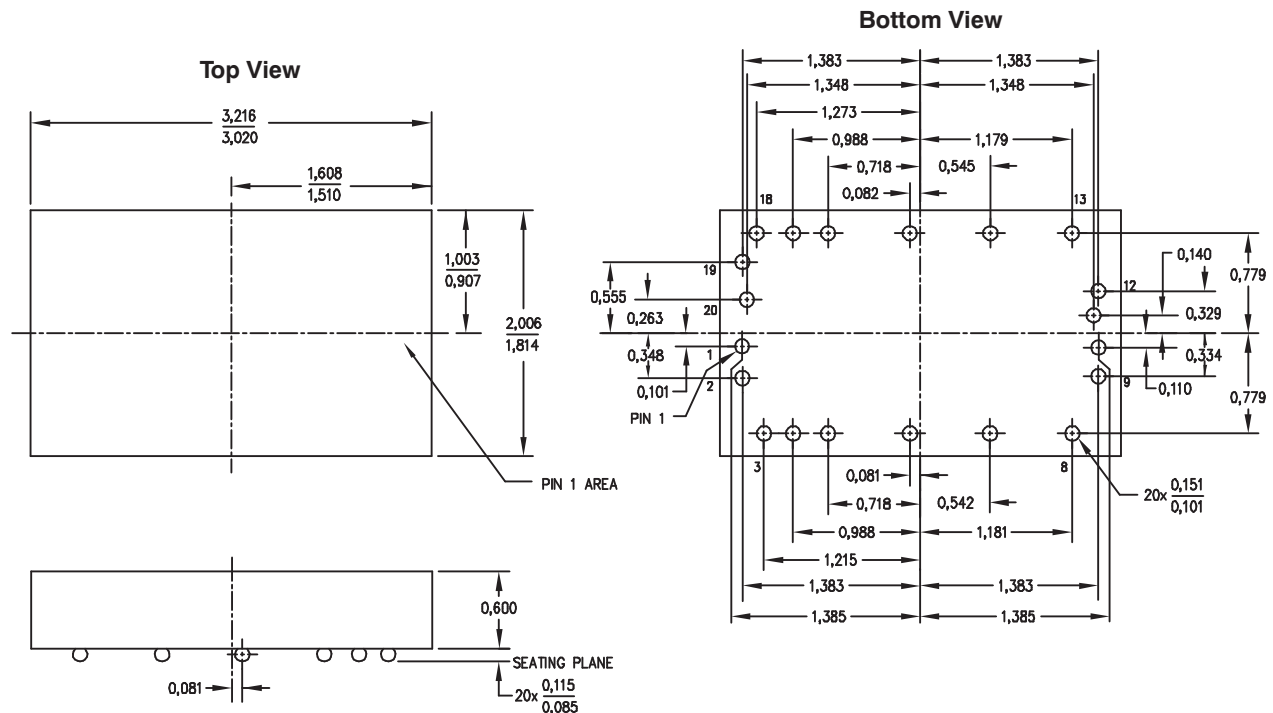
For general guidelines on board assembly of the WCSP, the following documentation provides more details:

- Application Report [NanoStar™ & NanoFree™ 300µm Solder Bump WCSP Application—SBVA017](#)
- [Design Summary WCSP Little Logic—SCET007B](#)

NOTE: The use of underfill is **required** and greatly reduces the risk of thermal mismatch fails.

Underfill is an epoxy/adhesive that may be added during the board assembly process to improve board level/system level reliability. The process is to dispense the epoxy under the dice after die attach reflow. The epoxy adheres to the body of the device and to the printed-circuit board. It reduces stress placed upon the solder joints because of thermal coefficient of expansion (TCE) mismatch between the board and the component. Underfill material is highly filled with silica or other fillers to increase epoxy modulus, reduce creep sensitivity, and decrease material TCE.

NOTE: The recommendation for peak flow temperatures of +250°C to +260°C is based on general empirical results that indicate that this temperature range is needed to facilitate good wetting of the solder bump to the substrate or circuit board pad. Lower peak temperatures may cause nonwets (cold solder joints).



- All linear dimensions are in millimeters.
- This drawing is subject to change without notice.

Figure 10. TLV5610IYZ Wafer Chip-Scale Package

Revision History

NOTE: Page numbers for previous revisions may differ from page numbers in the current version.

| Changes from Original (July 2006) to A Revision | Page |
|---|------|
| • Deleted separate INL and DNL specifications for Code 20 to 1023; not relevant to this device..... | 3 |
| • Replaced timing diagram | 4 |
| • Updated Digital Input Timing Requirements Table | 4 |

PACKAGING INFORMATION

| Orderable Device | Status (1) | Package Type | Package Drawing | Pins | Package Qty | Eco Plan (2) | Lead/Ball Finish (6) | MSL Peak Temp (3) | Op Temp (°C) | Device Marking (4/5) | Samples |
|------------------|---------------|--------------|--------------------|------|----------------|----------------------------|-------------------------|----------------------|--------------|-------------------------|----------------|
| TLV5610IYZR | ACTIVE | DSBGA | YZ | 20 | 3000 | Green (RoHS & no Sb/Br) | SNAGCU | Level-NC-NC-UNLIM | -40 to 85 | TLV5610YZ | Samples |

(1) The marketing status values are defined as follows:

ACTIVE: Product device recommended for new designs.

LIFEBUY: TI has announced that the device will be discontinued, and a lifetime-buy period is in effect.

NRND: Not recommended for new designs. Device is in production to support existing customers, but TI does not recommend using this part in a new design.

PREVIEW: Device has been announced but is not in production. Samples may or may not be available.

OBSOLETE: TI has discontinued the production of the device.

(2) **RoHS:** TI defines "RoHS" to mean semiconductor products that are compliant with the current EU RoHS requirements for all 10 RoHS substances, including the requirement that RoHS substance do not exceed 0.1% by weight in homogeneous materials. Where designed to be soldered at high temperatures, "RoHS" products are suitable for use in specified lead-free processes. TI may reference these types of products as "Pb-Free".

RoHS Exempt: TI defines "RoHS Exempt" to mean products that contain lead but are compliant with EU RoHS pursuant to a specific EU RoHS exemption.

Green: TI defines "Green" to mean the content of Chlorine (Cl) and Bromine (Br) based flame retardants meet JS709B low halogen requirements of <=1000ppm threshold. Antimony trioxide based flame retardants must also meet the <=1000ppm threshold requirement.

(3) MSL, Peak Temp. - The Moisture Sensitivity Level rating according to the JEDEC industry standard classifications, and peak solder temperature.

(4) There may be additional marking, which relates to the logo, the lot trace code information, or the environmental category on the device.

(5) Multiple Device Markings will be inside parentheses. Only one Device Marking contained in parentheses and separated by a "~" will appear on a device. If a line is indented then it is a continuation of the previous line and the two combined represent the entire Device Marking for that device.

(6) Lead/Ball Finish - Orderable Devices may have multiple material finish options. Finish options are separated by a vertical ruled line. Lead/Ball Finish values may wrap to two lines if the finish value exceeds the maximum column width.

Important Information and Disclaimer: The information provided on this page represents TI's knowledge and belief as of the date that it is provided. TI bases its knowledge and belief on information provided by third parties, and makes no representation or warranty as to the accuracy of such information. Efforts are underway to better integrate information from third parties. TI has taken and continues to take reasonable steps to provide representative and accurate information but may not have conducted destructive testing or chemical analysis on incoming materials and chemicals. TI and TI suppliers consider certain information to be proprietary, and thus CAS numbers and other limited information may not be available for release.

In no event shall TI's liability arising out of such information exceed the total purchase price of the TI part(s) at issue in this document sold by TI to Customer on an annual basis.

TAPE AND REEL INFORMATION

QUADRANT ASSIGNMENTS FOR PIN 1 ORIENTATION IN TAPE


*All dimensions are nominal

| Device | Package Type | Package Drawing | Pins | SPQ | Reel Diameter (mm) | Reel Width W1 (mm) | A0 (mm) | B0 (mm) | K0 (mm) | P1 (mm) | W (mm) | Pin1 Quadrant |
|-------------|--------------|-----------------|------|------|--------------------|--------------------|---------|---------|---------|---------|--------|---------------|
| TLV5610IYZR | DSBGA | YZ | 20 | 3000 | 180.0 | 8.4 | 2.18 | 3.18 | 1.0 | 4.0 | 8.0 | Q2 |

TAPE AND REEL BOX DIMENSIONS


*All dimensions are nominal

| Device | Package Type | Package Drawing | Pins | SPQ | Length (mm) | Width (mm) | Height (mm) |
|-------------|--------------|-----------------|------|------|-------------|------------|-------------|
| TLV5610IYZR | DSBGA | YZ | 20 | 3000 | 220.0 | 220.0 | 34.0 |

IMPORTANT NOTICE AND DISCLAIMER

TI PROVIDES TECHNICAL AND RELIABILITY DATA (INCLUDING DATASHEETS), DESIGN RESOURCES (INCLUDING REFERENCE DESIGNS), APPLICATION OR OTHER DESIGN ADVICE, WEB TOOLS, SAFETY INFORMATION, AND OTHER RESOURCES "AS IS" AND WITH ALL FAULTS, AND DISCLAIMS ALL WARRANTIES, EXPRESS AND IMPLIED, INCLUDING WITHOUT LIMITATION ANY IMPLIED WARRANTIES OF MERCHANTABILITY, FITNESS FOR A PARTICULAR PURPOSE OR NON-INFRINGEMENT OF THIRD PARTY INTELLECTUAL PROPERTY RIGHTS.

These resources are intended for skilled developers designing with TI products. You are solely responsible for (1) selecting the appropriate TI products for your application, (2) designing, validating and testing your application, and (3) ensuring your application meets applicable standards, and any other safety, security, or other requirements. These resources are subject to change without notice. TI grants you permission to use these resources only for development of an application that uses the TI products described in the resource. Other reproduction and display of these resources is prohibited. No license is granted to any other TI intellectual property right or to any third party intellectual property right. TI disclaims responsibility for, and you will fully indemnify TI and its representatives against, any claims, damages, costs, losses, and liabilities arising out of your use of these resources.

TI's products are provided subject to TI's Terms of Sale (www.ti.com/legal/termsofsale.html) or other applicable terms available either on ti.com or provided in conjunction with such TI products. TI's provision of these resources does not expand or otherwise alter TI's applicable warranties or warranty disclaimers for TI products.

Mailing Address: Texas Instruments, Post Office Box 655303, Dallas, Texas 75265
Copyright © 2018, Texas Instruments Incorporated