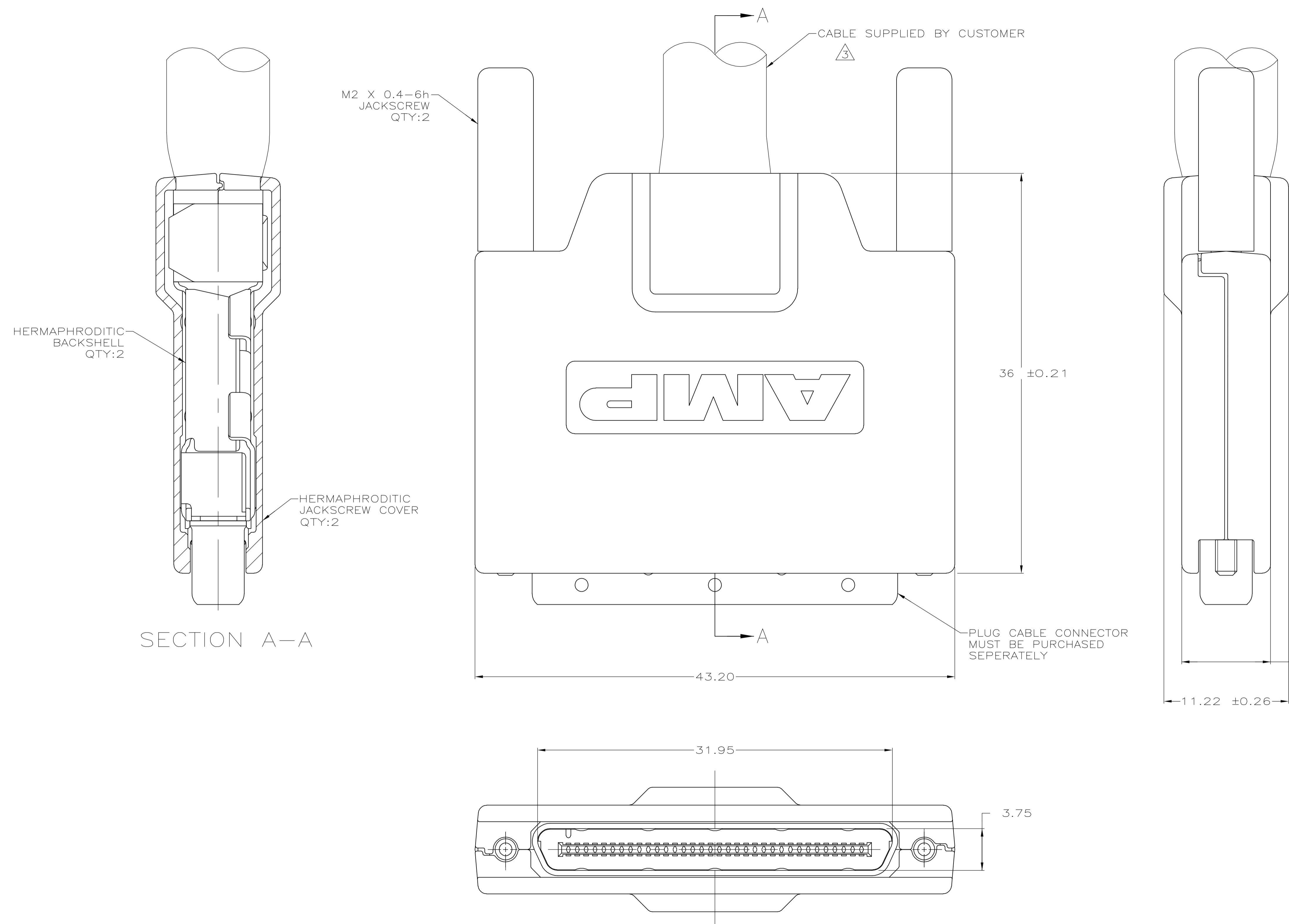


LOC		DIST		REVISIONS			
GP	00	REV	DATE	BY	APP'D	REV	DATE
0		RELEASED PER EC 0513-0337-05	16MAR06	JG	SS		



- △ MATERIAL:
 HERMAPHRODITIC BACKSHELL: STEEL.
 JACKSCREW: STEEL.
 JACKSCREW HEAD: ABS MOLDING COMPOUND, COLOR BLACK.
 HERMAPHRODITIC JACKSCROW COVER: UL 94V-0 RATED ABS MOLDING COMPOUND, COLOR BLACK.
- △ PLATING:
 HERMAPHRODITIC BACKSHELL- 5µm MIN BRIGHT NICKEL OVER 2.5µm MIN COPPER.
 JACKSCREW - BLUE TRIVALENT CHROMIUM OVER ZINC.
- △ RECOMMENDED WIRE: 30 AWG WITH A 0.56-0.64 INSULATION DIAMETER, WIRE MUST BE APPROVED BY AMP ENGINEERING.
- 4. BULK PACKAGED 100 KITS PER BAG.

5787191-1
 PART NO

THIS DRAWING IS A CONTROLLED DOCUMENT.		DWG J.GERACE 16MAR06	Tyco Electronics Corporation Harrisburg, PA 17105-3608
DIMENSIONS: mm		CHK S.SHUEY 16MAR06	
TOLERANCES UNLESS OTHERWISE SPECIFIED:		APP'D M.WALMSLEY 16MAR06	NAME BACKSHELL KIT, JACKSCROW, CABLE CONNECTOR, 0.8mm CHAMP
0 PLC ± -		PRODUCT SPEC	108-1471
1 PLC ± -		APPLICATION SPEC	
2 PLC ± 0.13		SIZE	A1
3 PLC ± -		SCALE	5:1
4 PLC ± -		WEIGHT	000779
ANGLES ± -		DRAWING NO	5787191
FINISH		RESTRICTED TO	
MATERIAL		CUSTOMER DRAWING	SHEET 1 OF 1

Mouser Electronics

Authorized Distributor

Click to View Pricing, Inventory, Delivery & Lifecycle Information:

[TE Connectivity:](#)

[5787191-1](#)