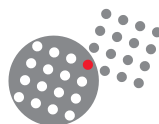




Miniature Product with a Threaded Coupling

Space saving with scoop proof connector designed for any harsh application where both size and EMI shielding are critical.

- A compact solution** ✓ Diameter up to 45% smaller than size 9 (D38999). Up to 40% shorter.
- A high density solution** ✓ With #26 contacts (according 39029). 5 layouts (size 3, 5 and 7 with #22 & #26).
- Excellent features** ✓ Designed for D38999 requirements. IP67 sealing when mated, EMI ring and ratcheting system.
- RoHS and Cadmium free** ✓ Available in zinc nickel (RoHS) plating, as well as nickel and olive drab cadmium.
- Robustness** ✓ Connector available with stainless steel (1500 matings) and aluminum shell (500 matings).
- Integrated backshell** ✓ Cost and space saving.





Description

- **A compact solution**
 - The smallest connector available on the market (shell size 3)
 - Miniaturization of MIL-DTL-38999 Series III
 - Threaded coupling (between 1/2 and 3/4 turn to mate) with ratcheting system (size 5 & 7)
 - Integrated backshell:
 - . Easy to wire and handle
 - . Compatible with heat shrink boot and braid retention band
 - . Compliant with overmolding
 - Triple-start thread
- **A versatile solution**
 - 3 shells sizes: 3, 5, 7
 - Plug; In line, square flange and jam nut receptacle
 - 2 materials, 3 platings
 - Crimp & PC tails (on request)
 - Removable contacts #22D & #26
 - 6 keyings
- **Harsh environment-resistant solution**
 - Scoop Proof
 - Cavity to cavity sealed with interfacial seal and grommet
 - EMI ring (for size 5 & 7)
 - Fluid resistant



Technical Features

Mechanical

- **Shell:**
 - Aluminum alloy
 - Passivated stainless steel (for size 5 & 7)
- **Shell plating:**
 - Aluminum:
 - . Zinc nickel (RoHS)
 - . Nickel (RoHS)
 - . Olive drab cadmium
 - Passivated stainless steel (RoHS)
- **Insulator:** Thermoplastic
- **Contact body:** Copper alloy
- **Contacts plating:** Gold over nickel plated
- **Shell endurance:**
 - Aluminum:
 - 500 mating/unmating cycles
 - Passivated stainless steel:
 - 1000 mating/unmating cycles
- **Vibration:**
 - 44 grms @ 125°C, 2 axes during 8 hours
- **Shock:**
 - 300g, 3 ms

Electrical

- **Wire size**

Layout	Wire (AWG)
03-05	24-30
03-35	22-28
05-06	24-30
05-35	22-28
07-09	24-30
07-35	22-28
- **Test voltage (at sea level):**
 - Size 22D: 1000 Vrms
 - Size 26: 400 Vrms
- **Contact resistance:**
 - Size 22D: <14.6 mΩ
 - Size 26: <16 mΩ
- **Contact rating:**
 - Size 22D: 5A
 - Size 26: 3A
- **Contact retention:**
 - Size 22D: 45N
 - Size 26: 30N
- **Shell to shell continuity**

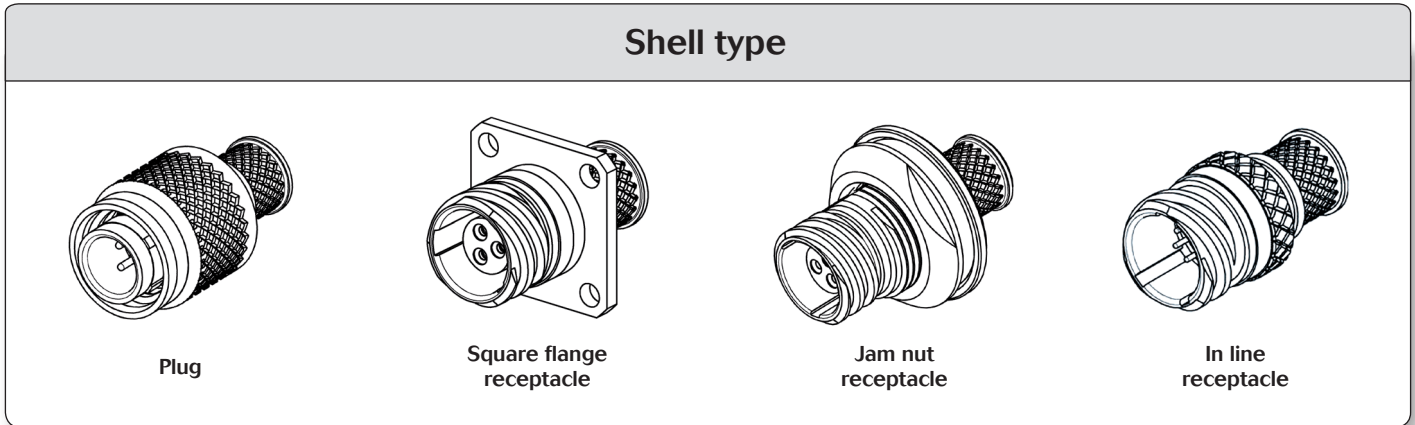
Shell size	Aluminum version	Stainless steel version
3	< 10 mΩ	< 60 mΩ
5		
7		
- **EMI:**
 - Aluminum: -70dB @ 1GHz
 - Passivated stainless steel: -55 dB @ 1Ghz

Environmental

- **Temperature range:**
 - 55°C to +175°C
- **Water immersion:**
 - IP 67 on mated connector
 - 1 meter for 30 min minimum
 - > IP68 with appropriate cable termination
- **Salt spray:**
 - Zinc nickel: 500 hours
 - Nickel: 48 hours
 - Olive drab cadmium: 500 hours
 - Passivated stainless steel: 500 hours

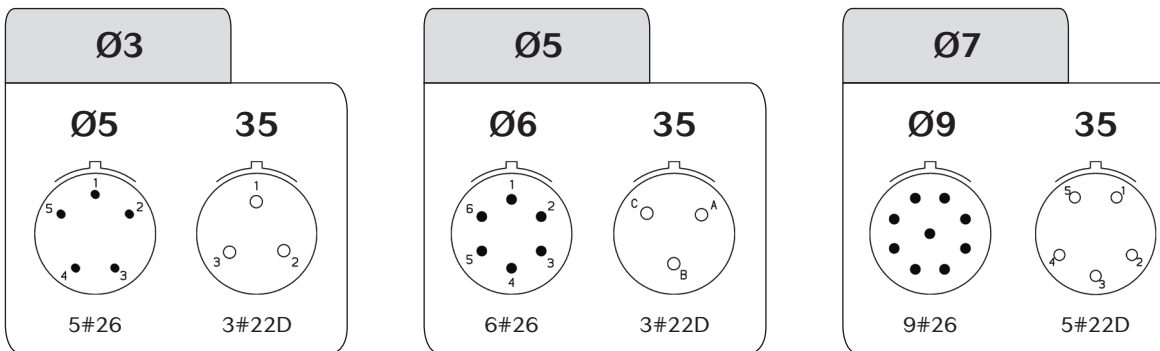
Resistance to fluids

- **According to MIL-DTL-38999 standard**
 - Gasoline: JP5 (OTAN F44)
 - Mineral hydraulic fluid: MIL-H-5606 (OTAN H515)
 - Synthetic hydraulic fluid: Skydrol 500 B4
- **Compatible with de-icing fluids containing potassium acetate**



For other configuration (PC tail, specific jam nut, ...) please consult us.

Contact layouts



Ordering information

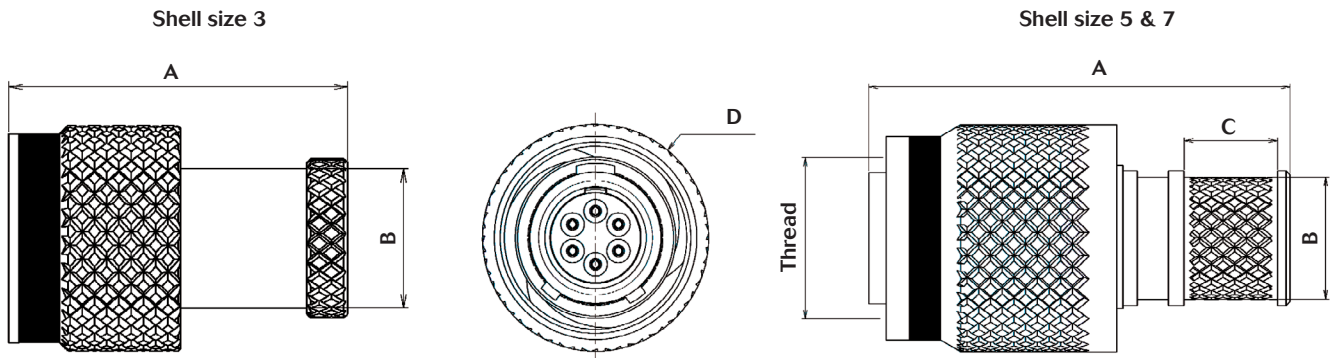
Basic Series	8DA	Ø	Ø3	W	Ø5	P	N
Shell type:							
Ø: Square flange receptacle							
1: In line receptacle							
5: Plug with EMI ring (Size 5 & size 7)							
6: Plug without EMI ring (Size 3 only)							
7: Jam nut receptacle							
Shell size: Ø3 - Ø5 - Ø7							
Plating :							
Z: Black zinc nickel							
F: Nickel							
W: Olive drab cadmium							
K: Passivated stainless steel (except for size 3)							
Contact layouts: See above							
Contact type:							
P: Pin (Shell size 3 scoop proof only when pin contacts mounted in Type 6)							
S: Socket (Shell size 3 scoop proof only when socket contacts mounted in Type 1 & Type 7)							
Orientation:							
N, A, B, C, D, E							

Note: Ø = Zero



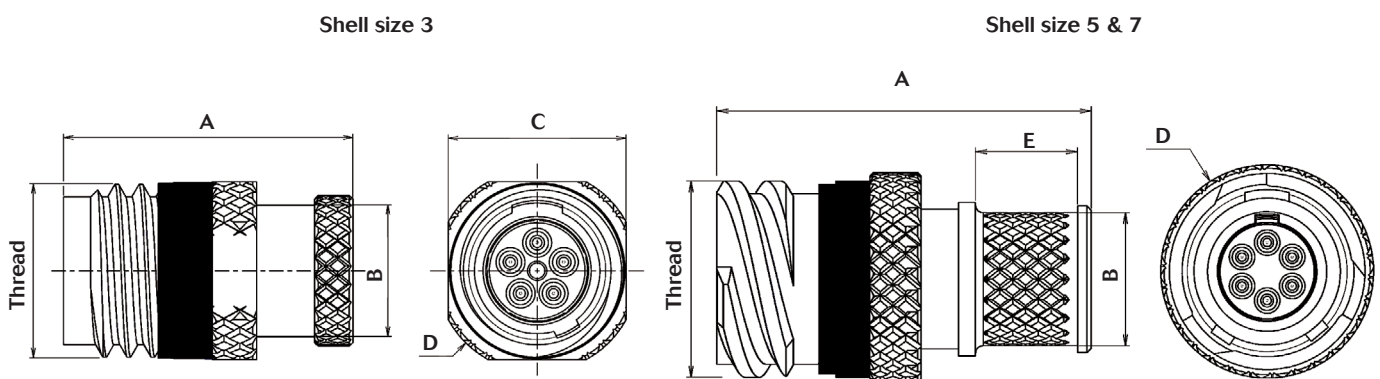
Dimensions

Plug - Shell type 5 & 6



Shell size	Thread	A Max	Ø B Max	C Max	Ø D Max
3	3-05	-	17	-	11.5
	3-35	-	17.5	-	11.5
5	5/11"-1P	28	8	6.1	15
7	1/2"-1P	28	9.5	6.1	16

In line receptacle - Shell type 1

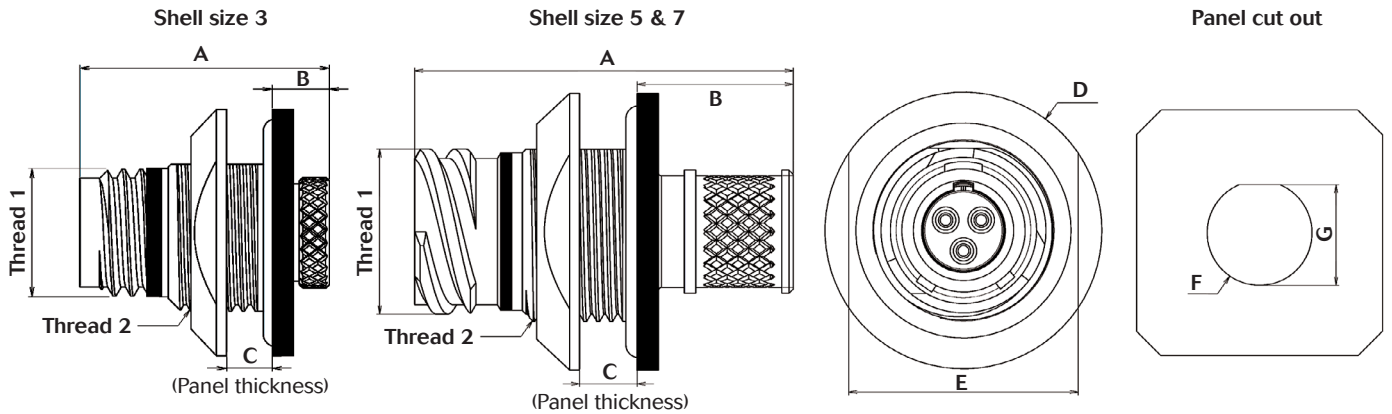


Shell size	Thread	A Max	B Max	C Max	Ø D Max	E Max
3	M9	15.5	7	9.3	11	-
5	5/11"-1P	23	8	-	13	6.1
7	1/2"-1P	25	9.5	-	13.5	6.1

Note: All dimensions are in mm.

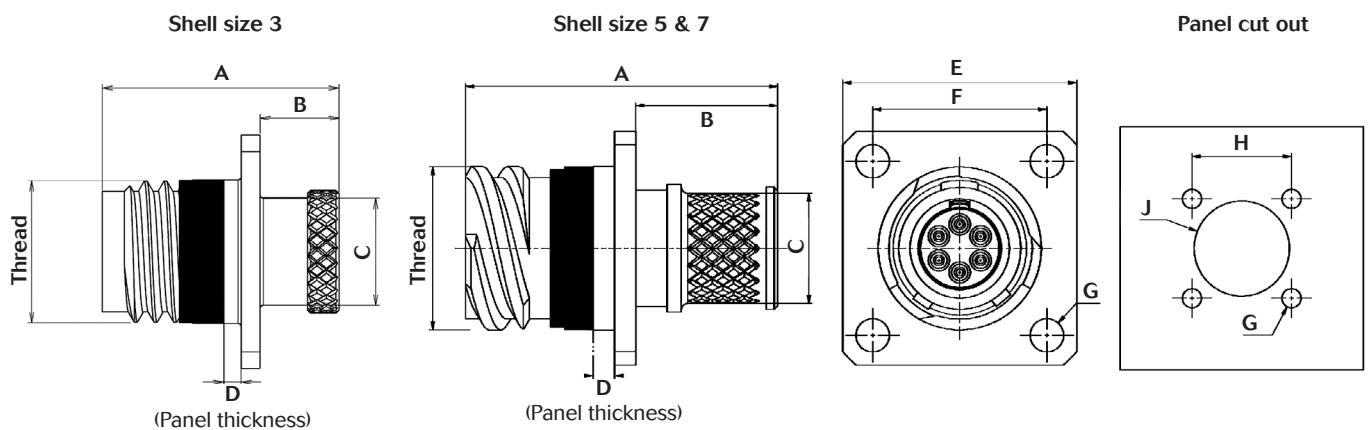


Jam nut receptacle - Shell type 7



Shell size	Thread 1	Thread 2	A Max	B Max	C Max	Ø D Max	E Max	Ø F Max	G Max	
3	3-05	M9	7/16"28 UNEF 2A	18	4.5	3.2	18	14	11.3	10.6
	3-35	M9	7/16"28 UNEF 2A	20	4.5	3.2	17.5	14	11.3	10.6
5	5/11"-1P	1/2"28 UNEF 2A	27	11	3.2	19.5	16	12.8	12.3	
7	1/2"-1P	9/16"24 UNEF 2A	27	11.5	3.2	20.8	17	14.5	13.8	

Square flange receptacle - Shell type 0



Shell size	Thread	A Max	B Max	Ø C Max	D Max	E Max	F Max	Ø G Max	H Max	Ø J Max
3	M9	15	5	6.8	2.5	15	10.5	2.35 ^{±0.08}	10.5	9.5
5	5/11"-1P	23	10.5	8	2.5	16.6	12.27	2.35 ^{±0.08}	12.27	11.75
7	1/2"-1P	25	13	10	2.5	18	13.84	2.35 ^{±0.08}	13.8	12.95

Note: All dimensions are in mm.

micr 38999

8DA Threaded Coupling



Connector weights

Weight				
Aluminum version (in gram $\pm 10\%$)				
Shell size & layout	Plug		Square flange receptacle	
	Without contacts	With contacts	Without contacts	With contacts
3-05	1.7	1.8	1.9	2.1
5-06	2.8	3	5.4	5.8
7-09	3.6	3.9	6	6.5

Orientations

Orientation - All shell types							
<p>Shell size 3</p>				<p>Shell size 5 & 7</p>			
Shell size	Angles	N	A	B	C	D	E
3	X°	153	51	102	204	255	306
5 & 7	y°	145	130	110	155	90	90
	Z°	75	120	120	115	115	180

For further information contact us at contactmilaero@souriau.com or visit our web sites www.souriau.com & www.micro38999.com

Mouser Electronics

Authorized Distributor

Click to View Pricing, Inventory, Delivery & Lifecycle Information:

Souriau:

[8DA705Z06PN](#) [8DA603F05PA](#) [8DA507Z09SN](#) [8DA707F09PN](#) [8DA505F06SN](#) [8DA505Z06SA](#) [8DA505Z06SN](#)
[8DA507F09SA](#) [8DA603Z05PA](#) [8DA505F06SA](#) [8DA603Z05PN](#) [8DA603F05PN](#) [8DA705F06PA](#) [8DA705F06PN](#)
[8DA705Z06PA](#) [8DA507Z09SA](#) [8DA707F09PA](#) [8DA005Z06PA](#) [8DA003Z05SA](#) [8DA507F09SN](#) [8DA007Z09PN](#)
[8DA707Z09PN](#) [8DA707Z09PA](#) [8DA003Z05SN](#) [8DA005F06PN](#) [8DA003F05SN](#) [8DA007F09PN](#) [8DA007Z09PA](#)
[8DA005F06PA](#) [8DA007F09PA](#) [8DA003F05SA](#) [8DA005Z06PN](#)