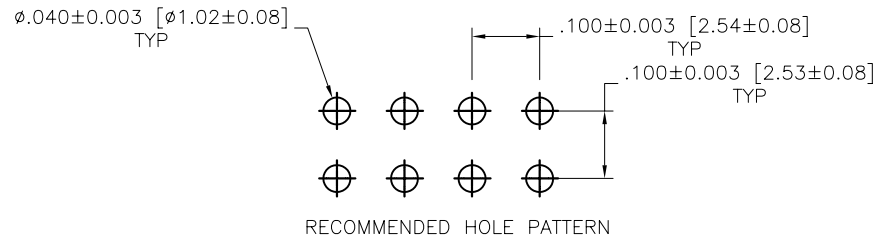
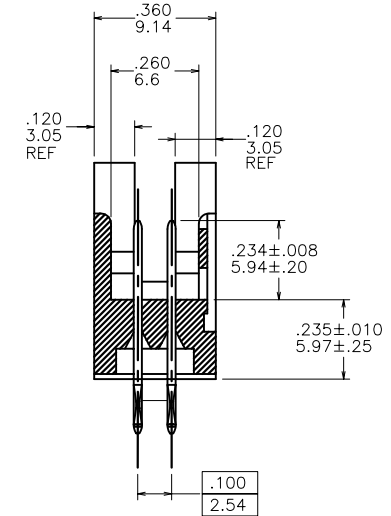
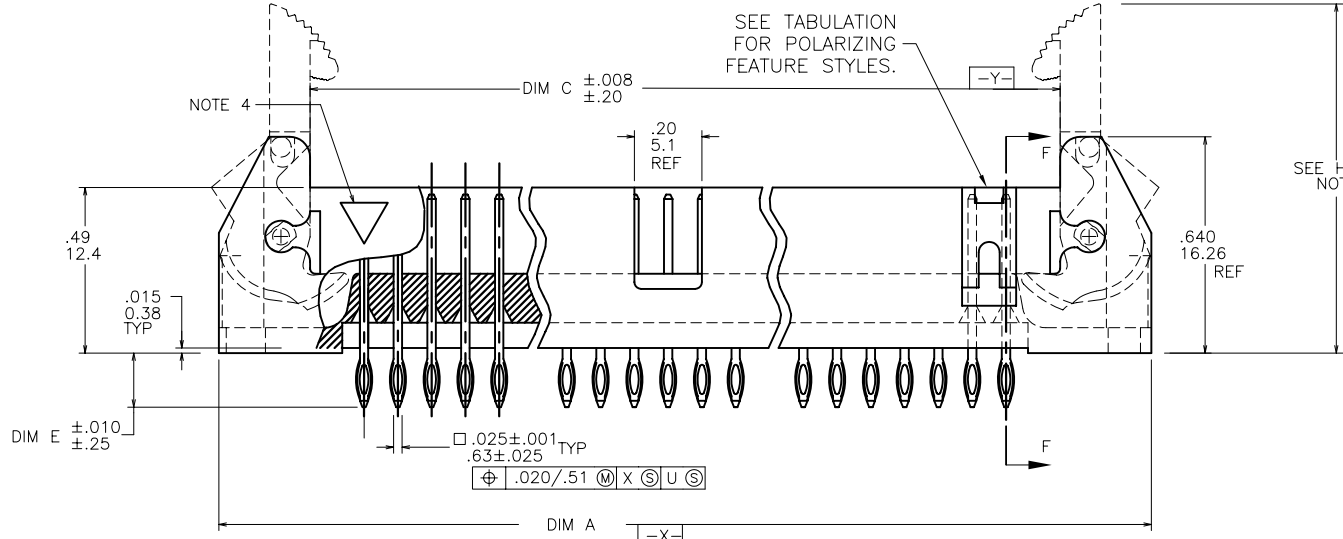
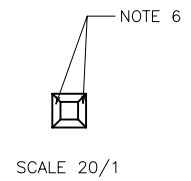
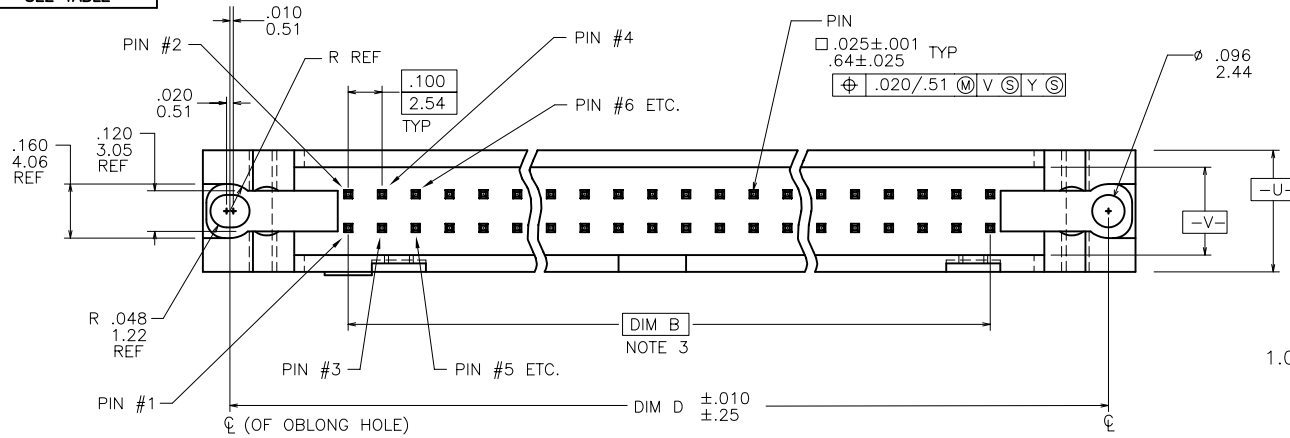


PRODUCT NUMBER
SEE TABLE



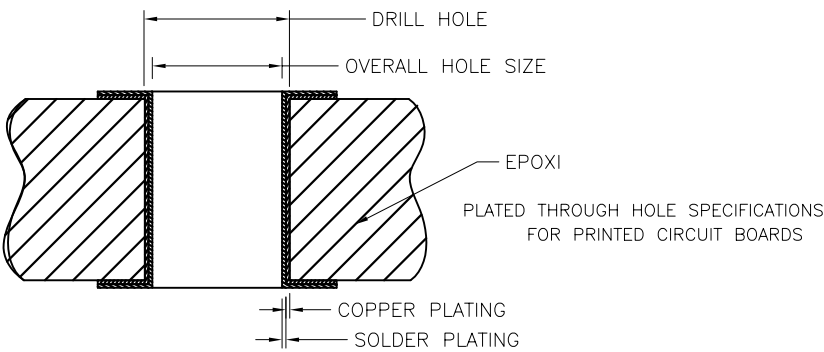
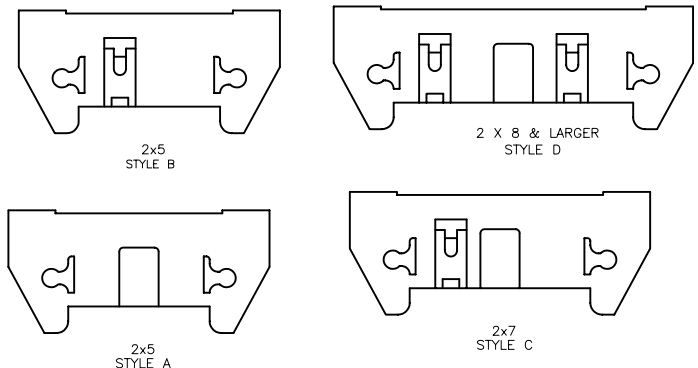
mat'l. code		surface ISO 1302		tolerance ISO 406 ISO 1101		projection INCH/MM		product family QUICKIE	
ltr	ecn no	dr	date	tolerances unless otherwise specified		INCH/MM		title E.O.N. HDR. ASSEMBLY SEA HORSE 4 WALL	
A	M07-0277	MHT	6/18/07	angles	linear	scale 1:1		dwg no 10080054	
B	M08-0135	MHT	5/116/08	.XX±.01/XX±0.3				sheet 1 of 13 size A3	
C	M08-0161	MHT	6/03/08	.XXX±.005/XX±0.13				type Product Customer Drawing	
D	M08-0168	MHT	6/16/08	.XXXX±.0020/XXX±0.051					
E	M08-0210	MHT	7/14/08	engr	M.BARRIOS	6/18/07			
				chr	M.BARRIOS	6/18/07			
				appd	M.BARRIOS	6/18/07			
sheet	revision	E	E	E	E	E	E	E	E
index	sheet	1	2	3	4	5	6	7	8

FCJ
FCconnect.com
Copyright FCJ

	PLATING	NOTE 6
1	30u"/.76u Au OVER 50u "/1.27u Ni	NOTE 14
2	30u"/.76u GXT/GOLD FLASH	NOTE 14
4	30u"/.76u GXT & 100u"/2.54u Sn DUPLEX	
5	30u"/.76u GOLD & 100u"/2.54u Sn DUPLEX	

NOTES:

- BODY MATERIAL; 30% GLASS FILLED POLYESTER FLAME RETARDANT PER UL 94-V0 COLOR-BLUE.
-1XX TO -6XX BLUE PBT
-7XX TO -9XX GREY PBT
- UNLESS OTHERWISE SPECIFIED, 1' MAX DRAFT PERMISSIBLE ON ALL SURFACES.
- DIM B BASIC DIM SHALL BE LOCATED SYMMETRICAL TO DATUM -Y-.
- TRIANGLE, LOGO, & PART NO. AND THEIR LOCATIONS OPTIONAL.
- PIN MATERIAL; 3/4 HD. PHOSPHOR BRONZE ALLOY UNS-C51000.
- TWO NON-CRITICAL SIDES OF TIPS NOT PLATED. TYP BOTH ENDS.
- RECOMMENDED MOUNTING SCREW - #2-56 FILLISTER HEAD MACHINE SCREW .25/6.35 LONG FOR .063/1.58 & .094/2.38 BOARDS, .313/7.93 LONG FOR .125/3.18 BOARDS.
- 3 LBS/1.36 KG PIN RETENTION IN BOTH DIRECTIONS.
- LOW PROFILE LATCHES TO BE USED WITH FEMALE CONNECTOR WITHOUT STRAIN RELIEF STANDARD LATCHES TO BE USED WITH FEMALE CONNECTORS WITH STRAIN RELIEF.
- ADD AN "A" AFTER THE 8 DIGIT PART NUMBER FOR CUSTOMER SPECIAL.
- RECOMMENDED PLATED-THRU-HOLE DIMENSIONS ARE:
DRILLED HOLE: .0453/1.151±.0010/.025 DIA
COPPER PLATING THICKNESS .001/.025 TO .003/.076
SOLDER PLATING THICKNESS: .0003/.076 TO .0007/.0178
OVERALL HOLE SIZE: .040/1.016±.003/.076 DIA
- PART NUMBERS WITH "LF" SUFFIX AT THE END OF PART NUMBER ARE LEAD FREE
- THESE PRODUCT MEETS EUROPEAN UNION DIRECTIVES AND OTHER COUNTRY REGULATION AS DESCRIBED IN GS-22-008.
- PLATING OPTIONS:
MAY BE EITHER GOLD OR GXT PLATED AT MANUFACTURER'S OPTION.
- THE PRODUCT IS NOT INTENDED TO BE EXPOSED TO A MANUFACTURING SOLDER PROCESS.
- SEA-HORSE REFERENCE HEIGHT:
STANDARD SEA-HORSE: 1.035/26.29
LOW PROFILE SEA-HORSE: 0.920/23.37



SURFACE FINISH					
Ag	Au	HOLE PLATING	SnPb	Sn	Copper
.037-.043 [0.94-1.09]	.037-.043 [0.94-1.09]	HOLE DIAMETER AFTER PLATING	.037-.043 [0.94-1.09]	.037-.043 [0.94-1.09]	.037-.043 [0.94-1.09]
.0443-.0463 [1.12-1.17]	.0443-.0463 [1.12-1.17]	DRILLED HOLE	.0443-.0463 [1.12-1.17]	.0443-.0463 [1.12-1.17]	.0443-.0463 [1.12-1.17]
.001-.003 [0.025-0.076]	.001-.003 [0.025-0.076]	COPPER PLATING	.001-.003 [0.025-0.076]	.001-.003 [0.025-0.076]	.001-.003 [0.025-0.076]
-	-	TIN LEAD PLATING	.0003-.0005 [0.0076-0.0127]	-	-
-	.0002-.0003 [0.0051-0.0076]	NICKEL PLATING	-	-	-
-	.000004-.000008 [.0001-.0002]	GOLD PLATING	-	-	-
-	-	IMMERSION Sn	-	.000039-.000051 [.0009-.0013]	-
.000016-.000024 [0.0004-0.0006]	-	IMMERSION Ag	-	-	-

mat'l. code		surface ISO 1902		tolerance ISO 406 ISO 1101		projection		product family QUICKIE	
ltr	ecn no	dr	date	tolerances unless otherwise specified		INCH/MM		title E.O.N. HDR. ASSEMBLY SEA HORSE 4 WALL	
E				angles	linear	scale 1:1		sheet 2 of 13 size A3	
				0°±2'	.XX±.01/XX±0.3 .XXX±.005/XX±0.13 .XXXX±.0020/XXX±0.051	FCJ		10080054	
		dr	M.HERNANDEZ	6/18/07				type Product Customer Drawing	
		engr	M.BARRIOS	6/18/07					
		chr	M.BARRIOS	6/18/07					
		appd	M.BARRIOS	6/18/07					
sheet index	revision sheet								

FCJ FCconnect.com Copyright FCJ

PRODUCT NUMBER	SIZE	STYLE	LATCH	DIM A	DIM B	DIM C	DIM D	DIM E	PIN PLATING	LEAD FREE
10080054-001LF	2 X 5	A	NONE	1.26/32.00	.400/10.16	.720/18.28	1.100/27.94	.160/4.06	1	NOTE 12
-002LF								.160/4.06	2	
-003LF								.610/15.49	1	NOT TOOLED
-004LF								.610/15.49	2	NOT TOOLED
-005LF								.733/18.62	1	NOT TOOLED
-006LF			NONE					.733/18.62	2	NOT TOOLED
-007LF			STD.					.160/4.06	1	
-008LF								.160/4.06	2	
-009LF								.610/15.49	1	NOT TOOLED
-010LF								.610/15.49	2	NOT TOOLED
-011LF								.733/18.62	1	NOT TOOLED
-012LF			STD.					.733/18.62	2	NOT TOOLED
-013LF			LOW PROFILE					.160/4.06	1	
-014LF								.160/4.06	2	
-015LF								.610/15.49	1	NOT TOOLED
-016LF								.610/15.49	2	NOT TOOLED
-017LF								.733/18.62	1	NOT TOOLED
-018LF		A	LOW PROFILE					.733/18.62	2	NOT TOOLED
-019LF		B	NONE					.160/4.06	1	
-020LF								.160/4.06	2	
-021LF								.610/15.49	1	NOT TOOLED
-022LF								.610/15.49	2	NOT TOOLED
-023LF								.733/18.62	1	NOT TOOLED
-024LF			NONE					.733/18.62	2	NOT TOOLED
-025LF			STD.					.160/4.06	1	
-026LF								.160/4.06	2	
-027LF								.610/15.49	1	NOT TOOLED
-028LF								.610/15.49	2	NOT TOOLED
-029LF								.733/18.62	1	NOT TOOLED
-030LF			STD.					.733/18.62	2	NOT TOOLED
-031LF			LOW PROFILE					.160/4.06	1	
-032LF								.160/4.06	2	
-033LF								.610/15.49	1	NOT TOOLED
-034LF								.610/15.49	2	NOT TOOLED
-035LF								.733/18.62	1	NOT TOOLED
10080054-036LF	2 X 5	B	LOW PROFILE	1.26/32.00	.400/10.16	.720/18.28	1.100/27.94	.733/18.62	2	NOTE 12



Copyright FCI

mat'l. code		surface ISO 1302	tolerance ISO 406 ISO 1101	projection 	product family QUICKIE
ltr	ecr no	dr	date	tolerances unless otherwise specified	title E.O.N. HDR. ASSEMBLY SEA HORSE 4 WALL
E				angles linear XX±.01/XX±0.3 .XXX±.005/XX±0.13 .XXXX±.0020/XXX±0.051	INCH/MM scale 1:1
		dr	M.HERNANDEZ	6/18/07	dwg no 10080054
		engr	M.BARRIOS	6/18/07	sheet 3 of 13 size A3
		chr	M.BARRIOS	6/18/07	type Product Customer Drawing
		appd	M.BARRIOS	6/18/07	
sheet index	revision sheet				

PRODUCT NUMBER	SIZE	STYLE	LATCH	DIM A	DIM B	DIM C	DIM D	DIM E	PIN PLATING SEE SHT. 2	LEAD FREE
10080054-037LF	2 X 7	C	NONE	1.46/37.08	.600/15.24	.920/23.37	1.300/33.02	.160/4.06	1	NOTE 12
-038LF								.160/4.06	2	
-039LF								.610/15.49	1	NOT TOOLED
-040LF								.610/15.49	2	NOT TOOLED
-041LF								.733/18.62	1	NOT TOOLED
-042LF			NONE					.733/18.62	2	NOT TOOLED
-043LF			STD.					.160/4.06	1	
-044LF								.160/4.06	2	
-045LF								.610/15.49	1	NOT TOOLED
-046LF								.610/15.49	2	NOT TOOLED
-047LF								.733/18.62	1	NOT TOOLED
-048LF			STD.					.733/18.62	2	NOT TOOLED
-049LF			LOW PROFILE					.160/4.06	1	
-050LF								.160/4.06	2	
-051LF								.610/15.49	1	NOT TOOLED
-052LF								.610/15.49	2	NOT TOOLED
-053LF								.733/18.62	1	NOT TOOLED
-054LF	2 X 7	C	LOW PROFILE	1.46/37.08	.600/15.24	.920/23.37	1.300/33.02	.733/18.62	2	NOT TOOLED
-055LF	2 X 8	D	NONE	1.56/39.62	.700/17.78	1.020/25.91	1.400/35.56	.160/4.06	1	
-056LF								.160/4.06	2	
-057LF								.610/15.49	1	NOT TOOLED
-058LF								.610/15.49	2	NOT TOOLED
-059LF								.733/18.62	1	NOT TOOLED
-060LF			NONE					.733/18.62	2	NOT TOOLED
-061LF			STD.					.160/4.06	1	
-062LF								.160/4.06	2	
-063LF								.610/15.49	1	NOT TOOLED
-064LF								.610/15.49	2	NOT TOOLED
-065LF								.733/18.62	1	NOT TOOLED
-066LF			STD.					.733/18.62	2	NOT TOOLED
-067LF			LOW PROFILE					.160/4.06	1	
-068LF								.160/4.06	2	
-069LF								.610/15.49	1	NOT TOOLED
-070LF								.610/15.49	2	NOT TOOLED
-071LF								.733/18.62	1	NOT TOOLED
10080054-072LF	2 X 8	D	LOW PROFILE	1.56/39.62	.700/17.78	1.020/25.91	1.400/35.56	.733/18.62	2	NOTE 12



Copyright FCI

mat'l. code		surface ISO 1302	tolerance ISO 406 ISO 1101	projection 	product family QUICKIE
ltr	ecr no	dr	date	tolerances unless otherwise specified	title E.O.N. HDR. ASSEMBLY SEA HORSE 4 WALL
E				angles linear XX±.01/XX±.03 .XXX±.005/XX±.013 .XXXX±.0020/XXX±.0051	INCH/MM scale 1:1
		dr	M.HERNANDEZ	6/18/07	dwg no 10080054
		engr	M.BARRIOS	6/18/07	sheet 4 of 13 size A3
		chr	M.BARRIOS	6/18/07	type Product Customer Drawing
		appd	M.BARRIOS	6/18/07	
sheet index	revision sheet				

PRODUCT NUMBER	SIZE	STYLE	LATCH	DIM A	DIM B	DIM C	DIM D	DIM E	PIN PLATING	LEAD FREE
10080054-073LF	2 X 10	D	NONE	1.76/44.70	.900/22.86	1.220/30.99	1.600/40.64	.160/4.06	1	NOTE 12
-074LF								.160/4.06	2	
-075LF								.610/15.49	1	NOT TOOLED
-076LF								.610/15.49	2	NOT TOOLED
-077LF								.733/18.62	1	NOT TOOLED
-078LF			NONE					.733/18.62	2	NOT TOOLED
-079LF			STD.					.160/4.06	1	
-080LF								.160/4.06	2	
-081LF								.610/15.49	1	NOT TOOLED
-082LF								.610/15.49	2	NOT TOOLED
-083LF								.733/18.62	1	NOT TOOLED
-084LF			STD.					.733/18.62	2	NOT TOOLED
-085LF			LOW PROFILE					.160/4.06	1	
-086LF								.160/4.06	2	
-087LF								.610/15.49	1	NOT TOOLED
-088LF								.610/15.49	2	NOT TOOLED
-089LF								.733/18.62	1	NOT TOOLED
-090LF	2 X 10	D	LOW PROFILE	1.76/44.70	.900/22.86	1.220/30.99	1.600/40.64	.733/18.62	2	NOT TOOLED
-091LF	2 X 12	D	NONE	1.96/49.78	1.100/27.94	1.420/36.07	1.800/45.72	.160/4.06	1	
-092LF								.160/4.06	2	
-093LF								.610/15.49	1	NOT TOOLED
-094LF								.610/15.49	2	NOT TOOLED
-095LF								.733/18.62	1	NOT TOOLED
-096LF			NONE					.733/18.62	2	NOT TOOLED
-097LF			STD.					.160/4.06	1	
-098LF								.160/4.06	2	
-099LF								.610/15.49	1	NOT TOOLED
-100LF								.610/15.49	2	NOT TOOLED
-101LF								.733/18.62	1	NOT TOOLED
-102LF			STD.					.733/18.62	2	NOT TOOLED
-103LF			LOW PROFILE					.160/4.06	1	
-104LF								.160/4.06	2	
-105LF								.610/15.49	1	NOT TOOLED
-106LF								.610/15.49	2	NOT TOOLED
-107LF								.733/18.62	1	NOT TOOLED
10080054-108LF	2 X 12	D	LOW PROFILE	1.96/49.78	1.100/27.94	1.420/36.07	1.800/45.72	.733/18.62	2	NOTE 12



Copyright FCI

mat'l. code		surface ISO 1302		tolerance ISO 406 ISO 1101		projection 		product family QUICKIE	
ltr	ecr no	dr	date	tolerances unless otherwise specified					
E				angles	linear	XX±.01/XX±0.3		title E.O.N. HDR. ASSEMBLY SEA HORSE 4 WALL	
						.XXX±.005/XX±0.13		INCH/MM	
				0°±2'		.XXXX±.0020/XXX±0.051		scale 1:1	
		dr	M.HERNANDEZ	6/18/07	FCI				
		engr	M.BARRIOS	6/18/07	dwg no 10080054 sheet 5 of 13 size A3				
		chr	M.BARRIOS	6/18/07	type Product Customer Drawing				
		appd	M.BARRIOS	6/18/07					
sheet index	revision sheet								

PRODUCT NUMBER	SIZE	STYLE	LATCH	DIM A	DIM B	DIM C	DIM D	DIM E	PIN PLATING	LEAD FREE
10080054-109LF	2 X 13	D	NONE	2.06/52.32	1.200/30.48	1.520/38.61	1.900/48.26	.160/4.06	1	NOTE 12
-110LF								.160/4.06	2	
-111LF								.610/15.49	1	NOT TOOLED
-112LF								.610/15.49	2	NOT TOOLED
-113LF								.733/18.62	1	NOT TOOLED
-114LF			NONE					.733/18.62	2	NOT TOOLED
-115LF			STD.					.160/4.06	1	
-116LF								.160/4.06	2	
-117LF								.610/15.49	1	NOT TOOLED
-118LF								.610/15.49	2	NOT TOOLED
-119LF								.733/18.62	1	NOT TOOLED
-120LF			STD.					.733/18.62	2	NOT TOOLED
-121LF			LOW PROFILE					.160/4.06	1	
-122LF								.160/4.06	2	
-123LF								.610/15.49	1	NOT TOOLED
-124LF								.610/15.49	2	NOT TOOLED
-125LF								.733/18.62	1	NOT TOOLED
-126LF	2 X 13	D	LOW PROFILE	2.06/52.32	1.200/30.48	1.520/38.61	1.900/48.26	.733/18.62	2	NOT TOOLED
-127LF	2 X 15	D	NONE	2.26/57.40	1.400/35.56	1.720/43.69	2.100/53.34	.160/4.06	1	
-128LF								.160/4.06	2	
-129LF								.610/15.49	1	NOT TOOLED
-130LF								.610/15.49	2	NOT TOOLED
-131LF								.733/18.62	1	NOT TOOLED
-132LF			NONE					.733/18.62	2	NOT TOOLED
-133LF			STD.					.160/4.06	1	
-134LF								.160/4.06	2	
-135LF								.610/15.49	1	NOT TOOLED
-136LF								.610/15.49	2	NOT TOOLED
-137LF								.733/18.62	1	NOT TOOLED
-138LF			STD.					.733/18.62	2	NOT TOOLED
-139LF			LOW PROFILE					.160/4.06	1	
-140LF								.160/4.06	2	
-141LF								.610/15.49	1	NOT TOOLED
-142LF								.610/15.49	2	NOT TOOLED
-143LF								.733/18.62	1	NOT TOOLED
10080054-144LF	2 X 15	D	LOW PROFILE	2.26/57.40	1.400/35.56	1.720/43.69	2.100/53.34	.733/18.62	2	NOTE 12



Copyright FCI

mat'l. code		surface ISO 1302	tolerance ISO 406 ISO 1101	projection 	product family QUICKIE
ltr	ecr no	dr	date	tolerances unless otherwise specified	title E.O.N. HDR. ASSEMBLY SEA HORSE 4 WALL
E				linear XX±.01/XX±0.3 .XXX±.005/XX±0.13 .XXXX±.0020/XXX±0.051	INCH/MM scale 1:1
		dr	M.HERNANDEZ	6/18/07	dwg no 10080054
		enr	M.BARRIOS	6/18/07	sheet 6 of 13 size A3
		chr	M.BARRIOS	6/18/07	type Product Customer Drawing
		appd	M.BARRIOS	6/18/07	
sheet index	revision sheet				

PRODUCT NUMBER	SIZE	STYLE	LATCH	DIM A	DIM B	DIM C	DIM D	DIM E	PIN PLATING	LEAD FREE
10080054-145LF	2 X 17	D	NONE	2.46/62.48	1.600/40.64	1.920/48.79	2.300/58.42	.160/4.06	1	NOTE 12
-146LF								.160/4.06	2	
-147LF								.610/15.49	1	NOT TOOLED
-148LF								.610/15.49	2	NOT TOOLED
-149LF								.733/18.62	1	NOT TOOLED
-150LF			NONE					.733/18.62	2	NOT TOOLED
-151LF			STD.					.160/4.06	1	
-152LF								.160/4.06	2	
-153LF								.610/15.49	1	NOT TOOLED
-154LF								.610/15.49	2	NOT TOOLED
-155LF								.733/18.62	1	NOT TOOLED
-156LF			STD.					.733/18.62	2	NOT TOOLED
-157LF			LOW PROFILE					.160/4.06	1	
-158LF								.160/4.06	2	
-159LF								.610/15.49	1	NOT TOOLED
-160LF								.610/15.49	2	NOT TOOLED
-161LF								.733/18.62	1	NOT TOOLED
-162LF	2 X 17	D	LOW PROFILE	2.46/62.48	1.600/40.64	1.920/48.79	2.300/58.42	.733/18.62	2	NOT TOOLED
-163LF	2 X 20	D	NONE	2.76/70.10	1.900/48.26	2.220/56.39	2.600/66.04	.160/4.06	1	
-164LF								.160/4.06	2	
-165LF								.610/15.49	1	NOT TOOLED
-166LF								.610/15.49	2	NOT TOOLED
-167LF								.733/18.62	1	NOT TOOLED
-168LF			NONE					.733/18.62	2	NOT TOOLED
-169LF			STD.					.160/4.06	1	
-170LF								.160/4.06	2	
-171LF								.610/15.49	1	NOT TOOLED
-172LF								.610/15.49	2	NOT TOOLED
-173LF								.733/18.62	1	NOT TOOLED
-174LF			STD.					.733/18.62	2	NOT TOOLED
-175LF			LOW PROFILE					.160/4.06	1	
-176LF								.160/4.06	2	
-177LF								.610/15.49	1	NOT TOOLED
-178LF								.610/15.49	2	NOT TOOLED
-179LF								.733/18.62	1	NOT TOOLED
10080054-180LF	2 X 20	D	LOW PROFILE	2.76/70.10	1.900/48.26	2.220/56.39	2.600/66.04	.733/18.62	2	NOTE 12



Copyright FCI

mat'l. code		surface ISO 1302 <input checked="" type="checkbox"/>		tolerance ISO 406 ISO 1101		projection 		product family QUICKIE	
ltr	ecn no	dr	date	tolerances unless otherwise specified					
E				angles	linear	XX±.01/XX±0.3		title E.O.N. HDR. ASSEMBLY SEA HORSE 4 WALL	
				0°±2'		.XXX±.005/XX±0.13		INCH/MM	
						.XXXX±.0020/XXX±0.051		scale 1:1	
		dr	M.HERNANDEZ	6/18/07	FCI				
		engr	M.BARRIOS	6/18/07	dwg no 10080054 sheet 7 of 13 size A3				
		chr	M.BARRIOS	6/18/07	type Product Customer Drawing				
		appd	M.BARRIOS	6/18/07					
sheet index	revision sheet								

PRODUCT NUMBER	SIZE	STYLE	LATCH	DIM A	DIM B	DIM C	DIM D	DIM E	PIN PLATING	LEAD FREE
10080054-181LF	2 X 22	D	NONE	2.96/75.18	2.100/53.34	2.420/61.47	2.800/71.12	.160/4.06	1	NOTE 12
-182LF								.160/4.06	2	
-183LF								.610/15.49	1	NOT TOOLED
-184LF								.610/15.49	2	NOT TOOLED
-185LF								.733/18.62	1	NOT TOOLED
-186LF			NONE					.733/18.62	2	NOT TOOLED
-187LF			STD.					.160/4.06	1	
-188LF								.160/4.06	2	
-189LF								.610/15.49	1	NOT TOOLED
-190LF								.610/15.49	2	NOT TOOLED
-191LF								.733/18.62	1	NOT TOOLED
-192LF			STD.					.733/18.62	2	NOT TOOLED
-193LF			LOW PROFILE					.160/4.06	1	
-194LF								.160/4.06	2	
-195LF								.610/15.49	1	NOT TOOLED
-196LF								.610/15.49	2	NOT TOOLED
-197LF								.733/18.62	1	NOT TOOLED
-198LF	2 X 22	D	LOW PROFILE	2.96/75.18	2.100/53.34	2.420/61.47	2.800/71.12	.733/18.62	2	NOT TOOLED
-199LF	2 X 25	D	NONE	3.26/82.80	2.400/60.96	2.720/69.09	3.100/78.74	.160/4.06	1	
-200LF								.160/4.06	2	
-201LF								.610/15.49	1	NOT TOOLED
-202LF								.610/15.49	2	NOT TOOLED
-203LF								.733/18.62	1	NOT TOOLED
-204LF			NONE					.733/18.62	2	NOT TOOLED
-205LF			STD.					.160/4.06	1	
-206LF								.160/4.06	2	
-207LF								.610/15.49	1	NOT TOOLED
-208LF								.610/15.49	2	NOT TOOLED
-209LF								.733/18.62	1	NOT TOOLED
-210LF			STD.					.733/18.62	2	NOT TOOLED
-211LF			LOW PROFILE					.160/4.06	1	
-212LF								.160/4.06	2	
-213LF								.610/15.49	1	NOT TOOLED
-214LF								.610/15.49	2	NOT TOOLED
-215LF								.733/18.62	1	NOT TOOLED
10080054-216LF	2 X 25	D	LOW PROFILE	3.26/82.80	2.400/60.96	2.720/69.09	3.100/78.74	.733/18.62	2	NOTE 12



Copyright FCI

mat'l. code		surface ISO 1302 <input checked="" type="checkbox"/>		tolerance ISO 406 ISO 1101		projection 		product family QUICKIE	
ltr	ecn no	dr	date	tolerances unless otherwise specified					
E				angles	linear	XX±.01/XX±0.3		title E.O.N. HDR. ASSEMBLY SEA HORSE 4 WALL	
				0°±2°		.XXX±.005/XX±0.13		INCH/MM	
						.XXXX±.0020/XXX±0.051		scale 1:1	
		dr	M.HERNANDEZ	6/18/07	FCI				
		enr	M.BARRIOS	6/18/07	sheet 8 of 13 size				
		chr	M.BARRIOS	6/18/07	10080054 A3				
		appd	M.BARRIOS	6/18/07	type Product Customer Drawing				
sheet index	revision sheet								

PRODUCT NUMBER	SIZE	STYLE	LATCH	DIM A	DIM B	DIM C	DIM D	DIM E	PIN PLATING	LEAD FREE
10080054-217LF	2 X 30	D	NONE	3.76/95.50	2.900/73.66	3.220/81.79	3.600/91.44	.160/4.06	1	NOTE 12
-218LF								.160/4.06	2	
-219LF								.610/15.49	1	NOT TOOLED
-220LF								.610/15.49	2	NOT TOOLED
-221LF								.733/18.62	1	NOT TOOLED
-222LF			NONE					.733/18.62	2	NOT TOOLED
-223LF			STD.					.160/4.06	1	
-224LF								.160/4.06	2	
-225LF								.610/15.49	1	NOT TOOLED
-226LF								.610/15.49	2	NOT TOOLED
-227LF								.733/18.62	1	NOT TOOLED
-228LF			STD.					.733/18.62	2	NOT TOOLED
-229LF			LOW PROFILE					.160/4.06	1	
-230LF								.160/4.06	2	
-231LF								.610/15.49	1	NOT TOOLED
-232LF								.610/15.49	2	NOT TOOLED
-233LF								.733/18.62	1	NOT TOOLED
-234LF	2 X 30	D	LOW PROFILE	3.76/95.50	2.900/73.66	3.220/81.79	3.600/91.44	.733/18.62	2	NOT TOOLED
-235LF	2 X 5	A	STD.	1.26/32.00	.400/10.16	.720/18.28	1.100/27.94	.250/6.35	2	NOTE 10 NOT TOOLED
-236LF	2 X 8	D		1.56/39.62	.700/17.78	1.020/25.91	1.400/35.56			NOTE 10 NOT TOOLED
-237LF	2 X 10			1.76/44.70	.900/22.86	1.220/30.99	1.600/40.64			NOTE 10 NOT TOOLED
-238LF	2 X 13			2.06/52.34	1.200/30.48	1.520/38.61	1.900/48.26			NOTE 10 NOT TOOLED
-239LF	2 X 17			2.46/62.48	1.600/40.64	1.920/48.79	2.300/58.42			NOTE 10 NOT TOOLED
-240LF	2 X 20			2.76/70.10	1.900/48.26	2.220/56.39	2.600/66.04			NOTE 10 NOT TOOLED
-241LF	2 X 25			3.26/82.80	2.400/60.96	2.720/69.09	3.100/78.74			NOTE 10 NOT TOOLED
-242LF	2 X 30	D	STD.	3.76/95.50	2.900/73.66	3.220/81.79	3.600/91.44			NOTE 10 NOT TOOLED
-243LF	2 X 15	D	STD.	2.26/57.40	1.400/35.56	1.720/43.69	2.100/53.34			NOTE 10 NOT TOOLED
-244LF	2 X 5	A	NONE	1.26/32.00	.400/10.16	.720/18.28	1.100/27.94			NOT TOOLED
-245LF	2 X 8	D		1.56/39.62	.700/17.78	1.020/25.91	1.400/35.56			NOT TOOLED
-246LF	2 X 10			1.76/44.70	.900/22.86	1.220/30.99	1.600/40.64			NOT TOOLED
-247LF	2 X 13			2.06/52.34	1.200/30.48	1.520/38.61	1.900/48.26			NOT TOOLED
-248LF	2 X 17			2.46/62.48	1.600/40.64	1.920/48.79	2.300/58.42			NOT TOOLED
-249LF	2 X 20			2.76/70.10	1.900/48.26	2.220/56.39	2.600/66.04			
-250LF	2 X 25			3.26/82.80	2.400/60.96	2.720/69.09	3.100/78.74			NOT TOOLED
10080054-251LF	2 X 30			3.76/95.50	2.900/73.66	3.220/81.79	3.600/91.44	.250/6.35	2	NOTE 12



Copyright FCJ

mat'l. code		surface ISO 1302	tolerance ISO 406 ISO 1101	projection 	product family QUICKIE
ltr	ecn no	dr	date	tolerances unless otherwise specified	title E.O.N. HDR. ASSEMBLY SEA HORSE 4 WALL
E				angles linear 0°±2'	INCH/MM scale 1:1
				dr M.HERNANDEZ 6/18/07	dwg no 10080054 sheet 9 of 13 size A3
				enr M.BARRIOS 6/18/07	type Product Customer Drawing
				chr M.BARRIOS 6/18/07	
				appd M.BARRIOS 6/18/07	
sheet index	revision sheet				

PRODUCT NUMBER	SIZE	STYLE	LATCH	DIM A	DIM B	DIM C	DIM D	DIM E	PIN PLATING	POLARIZED MISSING PIN	LEAD FREE	
10080054-252LF	2 x 15	D	NGNE	2.26/57.40	1.400/36.56	1.720/43.69	2.100/53.34	.250/6.35	2		NOTE 12	NOT TOOLED
10080054-253LF	2 X 20	D	STD.	2.76/70.10	1.900/48.26	2.220/56.39	2.600/66.04	.160/4.06	2	PIN #20	NOTE 12	
10080054-309LF	2 x 5	B	STD.	1.26/32.00	.400/10.16	.720/18.28	1.100/27.94	.160/4.06	1	PIN #1	NOTE 12	NOT TOOLED
10080054-310LF	2 x 17	D	STD.	2.46/62.48	1.600/40.64	1.920/48.79	2.300/58.42	.160/4.06	1	PIN #25	NOTE 12	



FCJconnect.com

Copyright FCJ

mat'l. code		surface ISO 1302		tolerance ISO 406 ISO 1101		projection 		product family QUICKIE	
ltr	ecn no	dr	date	tolerances unless otherwise specified		INCH/MM		title E.O.N. HDR. ASSEMBLY SEA HORSE 4 WALL	
E				angles	linear	scale 1:1		dwg no 10080054	
				0°±2'	.XX±.01/XX±0.3 .XXX±.005/XX±0.13 .XXXX±.0020/XXX±0.051			sheet 10 of 13 size A3	
				dr	M.HERNANDEZ	6/18/07		type Product Customer Drawing	
				enr	M.BARRIOS	6/18/07			
				chr	M.BARRIOS	6/18/07			
				appd	M.BARRIOS	6/18/07			
sheet index	revision sheet								



form A3 1 2 3 4 5 6

PRODUCT NUMBER	SIZE	STYLE	LATCH	DIM A	DIM B	DIM C	DIM D	DIM E	PIN PLATING	NOTES	PIN REMOVED	LEAD FREE	
10080054-400LF	2 x 5	A	NONE	1.26/32.00	.400/10.16	-.720/18.28	1.100/27.94	-.250/6.35	4			NOTE 12	NOT TOOLED
-401LF	2 x 7	C		1.460/37.08	.600/15.24	-.920/23.37	1.300/33.02						NOT TOOLED
-402LF	2 x 8	D		1.56/39.62	.700/17.78	1.020/25.91	1.400/35.56						NOT TOOLED
-403LF	2 x 10			1.76/44.70	.900/22.86	1.220/30.99	1.600/40.64						NOT TOOLED
-404LF	2 x 12			1.960/49.78	1.100/27.94	1.420/36.07	1.800/45.72						NOT TOOLED
-405LF	2 x 13			2.06/52.34	1.200/30.48	1.520/38.61	1.900/48.26						NOT TOOLED
-406LF	2 x 15			2.26/57.40	1.400/35.56	1.720/43.69	2.100/53.34						NOT TOOLED
-407LF	2 x 17			2.46/62.48	1.600/40.64	1.920/48.79	2.300/58.42						NOT TOOLED
-408LF	2 x 20			2.76/70.10	1.900/48.26	2.220/56.39	2.600/66.04						NOT TOOLED
-409LF	2 x 22			2.960/75.18	2.100/53.34	2.420/61.47	2.800/71.12						NOT TOOLED
-410LF	2 x 25			3.26/82.80	2.400/60.96	2.720/69.09	3.100/78.74						NOT TOOLED
-411LF	2 x 30	D	NONE	3.76/95.50	2.900/73.66	3.220/81.79	3.600/91.44						NOT TOOLED
-420LF	2 x 5	A	STD.	1.26/32.00	.400/10.16	-.720/18.28	1.100/27.94			NOTE 10			NOT TOOLED
-421LF	2 x 7	C		1.460/37.08	.600/15.24	-.920/23.37	1.300/33.02			NOTE 10			NOT TOOLED
-422LF	2 x 8	D		1.56/39.62	.700/17.78	1.020/25.91	1.400/35.56			NOTE 10			NOT TOOLED
-423LF	2 x 10			1.76/44.70	.900/22.86	1.220/30.99	1.600/40.64			NOTE 10			NOT TOOLED
-424LF	2 x 12			1.960/49.78	1.100/27.94	1.420/36.07	1.800/45.72			NOTE 10			NOT TOOLED
-425LF	2 x 13			2.06/52.34	1.200/30.48	1.520/38.61	1.900/48.26			NOTE 10			NOT TOOLED
-426LF	2 x 15			2.26/57.40	1.400/35.56	1.720/43.69	2.100/53.34			NOTE 10			NOT TOOLED
-427LF	2 x 17			2.46/62.48	1.600/40.64	1.920/48.79	2.300/58.42			NOTE 10			NOT TOOLED
-428LF	2 x 20			2.76/70.10	1.900/48.26	2.220/56.39	2.600/66.04			NOTE 10			NOT TOOLED
-429LF	2 x 22			2.960/75.18	2.100/53.34	2.420/61.47	2.800/71.12			NOTE 10			NOT TOOLED
-430LF	2 x 25			3.26/82.80	2.400/60.96	2.720/69.09	3.100/78.74			NOTE 10			NOT TOOLED
-431LF	2 x 30	D	STD.	3.76/95.50	2.900/73.66	3.220/81.79	3.600/91.44			NOTE 10			NOT TOOLED
-440LF	2 x 5	A	LOW PROFILE	1.26/32.00	.400/10.16	-.720/18.28	1.100/27.94						NOT TOOLED
-441LF	2 x 7	C		1.460/37.08	.600/15.24	-.920/23.37	1.300/33.02						NOT TOOLED
-442LF	2 x 8	D		1.56/39.62	.700/17.78	1.020/25.91	1.400/35.56						NOT TOOLED
-443LF	2 x 10			1.76/44.70	.900/22.86	1.220/30.99	1.600/40.64						NOT TOOLED
-444LF	2 x 12			1.960/49.78	1.100/27.94	1.420/36.07	1.800/45.72						NOT TOOLED
-445LF	2 x 13			2.06/52.34	1.200/30.48	1.520/38.61	1.900/48.26						NOT TOOLED
-446LF	2 x 15			2.26/57.40	1.400/35.56	1.720/43.69	2.100/53.34						NOT TOOLED
-447LF	2 x 17			2.46/62.48	1.600/40.64	1.920/48.79	2.300/58.42						NOT TOOLED
-448LF	2 x 20			2.76/70.10	1.900/48.26	2.220/56.39	2.600/66.04						NOT TOOLED
-449LF	2 x 22			2.960/75.18	2.100/53.34	2.420/61.47	2.800/71.12						NOT TOOLED
-450LF	2 x 25			3.26/82.80	2.400/60.96	2.720/69.09	3.100/78.74						NOT TOOLED
-451LF	2 x 30	D	LOW PROFILE	3.76/95.50	2.900/73.66	3.220/81.79	3.600/91.44	-.250/6.35	4				NOT TOOLED
10080054-452LF	2 x 7	C	STD.	1.460/37.08	.600/15.24	.920/23.37	1.300/33.02	.160/4.06	1	NOTE 10	14	NOTE 12	



FCconnect.com

Copyright FCJ

mat'l. code		surface ISO 1302 <input checked="" type="checkbox"/>		tolerance ISO 406 ISO 1101		projection 		product family QUICKIE	
ltr	ecn no	dr	date	tolerances unless otherwise specified		INCH/MM		title E.O.N. HDR. ASSEMBLY SEA HORSE 4 WALL	
E				angles	linear	scale 1:1		dwg no 10080054	
				0°±2'	.XX±.01/XX±0.3 .XXX±.005/XX±0.13 .XXXX±.0020/XXX±0.051			sheet 11 of 13 size A3	
		dr	M.HERNANDEZ	6/18/07			type Product Customer Drawing		
		enr	M.BARRIOS	6/18/07					
		chr	M.BARRIOS	6/18/07					
		appd	M.BARRIOS	6/18/07					
sheet index	revision sheet								

PRODUCT NUMBER	SIZE	STYLE	LATCH	DIM A	DIM B	DIM C	DIM D	DIM E	PIN PLATING	POSITION OMITTED	LEAD FREE
10080054-500LF	2 x 5	A	NONE	1.260/32.00	.400/10.16	.720/18.28	1.100/27.94	.160/4.06	5		
-501LF	2 x 7	C		1.460/37.08	.600/15.24	.920/23.37	1.300/33.02				
-502LF	2 x 8	D		1.560/39.62	.700/17.78	1.020/25.91	1.400/35.56				
-503LF	2 x 10			1.760/44.70	.900/22.86	1.220/30.99	1.600/40.64				
-504LF	2 x 12			1.960/49.78	1.100/27.49	1.420/36.07	1.800/45.72				
-505LF	2 x 13			2.060/52.34	1.200/30.48	1.520/38.61	1.900/48.26				
-506LF	2 x 15			2.260/57.40	1.400/35.56	1.720/43.69	2.100/53.34				
-507LF	2 x 17			2.460/62.48	1.600/40.64	1.920/48.79	2.300/58.42				
-508LF	2 x 20			2.760/70.10	1.900/48.26	2.220/56.39	2.600/66.04				
-509LF	2 x 22			2.960/75.18	2.100/53.34	2.420/61.47	2.800/71.12				
-510LF	2 x 25			3.260/82.80	2.400/60.96	2.720/69.09	3.100/78.74				
-511LF	2 x 30	D	NONE	3.760/95.50	2.900/73.66	3.220/81.79	3.600/91.44				
-520LF	2 x 5	A	STD.	1.260/32.00	.400/10.16	.720/18.28	1.100/27.94				
-521LF	2 x 7	C		1.460/37.08	.600/15.24	.920/23.37	1.300/33.02				
-522LF	2 x 8	D		1.560/39.62	.700/17.78	1.020/25.91	1.400/35.56				
-523LF	2 x 10			1.760/44.70	.900/22.86	1.220/30.99	1.600/40.64				
-524LF	2 x 12			1.960/49.78	1.100/27.49	1.420/36.07	1.800/45.72				
-525LF	2 x 13			2.060/52.34	1.200/30.48	1.520/38.61	1.900/48.26				
-526LF	2 x 15			2.260/57.40	1.400/35.56	1.720/43.69	2.100/53.34				
-527LF	2 x 17			2.460/62.48	1.600/40.64	1.920/48.79	2.300/58.42				
-528LF	2 x 20			2.760/70.10	1.900/48.26	2.220/56.39	2.600/66.04				
-529LF	2 x 22			2.960/75.18	2.100/53.34	2.420/61.47	2.800/71.12				
-530LF	2 x 25			3.260/82.80	2.400/60.96	2.720/69.09	3.100/78.74				
-531LF	2 x 30	D	STD.	3.760/95.50	2.900/73.66	3.220/81.79	3.600/91.44				
-540LF	2 x 5	A	LOW PROFILE	1.260/32.00	.400/10.16	.720/18.28	1.100/27.94				
-541LF	2 x 7	C		1.460/37.08	.600/15.24	.920/23.37	1.300/33.02				
-542LF	2 x 8	D		1.560/39.62	.700/17.78	1.020/25.91	1.400/35.56				
-543LF	2 x 10			1.760/44.70	.900/22.86	1.220/30.99	1.600/40.64				
-544LF	2 x 12			1.960/49.78	1.100/27.49	1.420/36.07	1.800/45.72				
-545LF	2 x 13			2.060/52.34	1.200/30.48	1.520/38.61	1.900/48.26				
-546LF	2 x 15			2.260/57.40	1.400/35.56	1.720/43.69	2.100/53.34				
-547LF	2 x 17			2.460/62.48	1.600/40.64	1.920/48.79	2.300/58.42				
-548LF	2 x 20			2.760/70.10	1.900/48.26	2.220/56.39	2.600/66.04				
-549LF	2 x 22			2.960/75.18	2.100/53.34	2.420/61.47	2.800/71.12				
-550LF	2 x 25			3.260/82.80	2.400/60.96	2.720/69.09	3.100/78.74				
-551LF	2 x 30		LOW PROFILE	3.760/95.50	2.900/73.66	3.220/81.79	3.600/91.44				
-552LF	2 x 8		NONE	1.560/39.62	.700/17.78	1.020/25.91	1.400/35.56			2	
-553LF	2 x 8		STD	1.560/39.62	.700/17.78	1.020/25.91	1.400/35.56			2	
-554LF	2 x 10		NONE	1.760/44.70	.900/22.86	1.220/30.99	1.600/40.64			2	
-555LF	2 x 10		STD	1.760/44.70	.900/22.86	1.220/30.99	1.600/40.64			2	
10080054-556LF	2 x 20	D	STD	2.760/70.10	1.900/48.26	2.220/56.39	2.600/66.04	.160/4.06	1	1,15,16,17,18,19,20,21,22,37,38,39,40	NOTE 12

NOTE 10
NOTE 10
NOTE 10
NOTE 10
NOTE 10
NOTE 10
NOTE 10
NOTE 10
NOTE 10
NOTE 10
NOTE 10
NOTE 10
NOTE 10



Copyright FCI

mat'l. code		surface ISO 1302		tolerance ISO 406 ISO 1101		projection INCH/MM		product family QUICKIE	
ltr	ecn no	dr	date	tolerances unless otherwise specified		title E.O.N. HDR. ASSEMBLY SEA HORSE 4 WALL		sheet 12 of 13 size A3	
E				angles	linear	scale 1:1		dwg no 10080054	
				0°±2'	.XXX±.005/XX±0.13 .XXXX±.0020/XXX±0.051			type Product Customer Drawing	
		dr	M.HERNANDEZ	6/18/07					
		enr	M.BARRIOS	6/18/07					
		chr	M.BARRIOS	6/18/07					
		appd	M.BARRIOS	6/18/07					
sheet index	revision	sheet							

PRODUCT NUMBER	SIZE	STYLE	LATCH	DIM A	DIM B	DIM C	DIM D	DIM E	PIN PLATING	REMARKS	PINS REMOVED	LEAD FREE
10080054-620LF	2 x 5	A	STD.	1.260/32.00	.400/10.16	.720/18.28	1.100/27.94	.120/3.05	2	MINI-LIF		
-621LF	2 x 7	C	STD.	1.460/37.08	.600/15.24	.920/23.37	1.300/33.02	.120/3.05	2	MINI-LIF		
-640LF	2 x 20	D	STD.	2.760/70.10	1.900/48.26	2.220/56.39	2.600/66.04	.120/3.05	2	MINI-LIF		
-650LF	2 x 25	D	STD.	3.260/82.80	2.400/60.96	2.720/69.09	3.100/78.74	.120/3.05	2	MINI-LIF		
-651LF	2 x 22	D	STD.	2.960/75.18	2.100/53.34	2.420/61.47	2.800/71.12	.160/4.06	1		REMOVE PINS: 2,3,6,7,10,11,14,15,18,19,22,23, 26,27,30,31,34,35,38,39,42,43 & 44	
-652LF	2 x 5	A	STD.	1.260/32.00	.400/10.16	.720/18.29	1.100/27.94				REMOVE PINS: 10	
-653LF	2 x 5	B	STD.	1.260/32.00	.400/10.16	.720/18.29	1.100/27.94				REMOVE PINS: 10	
-654LF	2 x 7	C	STD.	1.460/37.08	.600/15.24	.920/23.37	1.300/33.02				REMOVE PINS: 14	
-710LF	2 x 5	A	NONE	1.260/32.00	.400/10.16	.720/18.28	1.100/27.94					
-714LF	2 x 7	C		1.460/37.08	.600/15.24	.920/23.37	1.300/33.02					
-716LF	2 x 8	D		1.560/39.62	.700/17.78	1.020/25.91	1.400/35.56					
-720LF	2 x 10			1.760/44.70	.900/22.86	1.220/30.99	1.600/40.64					
-726LF	2 x 13			2.060/52.32	1.200/30.48	1.520/38.61	1.900/48.26					
-734LF	2 x 17			2.460/62.48	1.600/40.64	1.920/48.79	2.300/58.42					
-740LF	2 x 20			2.760/70.10	1.900/48.26	2.220/56.39	2.600/66.04					
-750LF	2 x 25			3.260/82.80	2.400/60.96	2.720/69.09	3.100/78.74					
-760LF	2 x 30	D	NONE	3.760/95.50	2.900/73.66	3.220/81.79	3.600/91.44					
-810LF	2 x 5	A	STD.	1.260/32.00	.400/10.16	.720/18.29	1.100/27.94					
-814LF	2 x 7	C		1.460/37.08	.600/15.24	.920/23.37	1.300/33.02					
-816LF	2 x 8	D		1.560/39.62	.700/17.78	1.020/25.91	1.400/35.56					
-820LF	2 x 10			1.760/44.70	.900/22.86	1.220/30.99	1.600/40.64					
-826LF	2 x 13			2.060/52.32	1.200/30.48	1.520/38.61	1.900/48.26					
-834LF	2 x 17			2.460/62.48	1.600/40.64	1.920/48.79	2.300/58.42					
-840LF	2 x 20			2.760/70.10	1.900/48.26	2.220/56.39	2.600/66.04					
-850LF	2 x 25			3.260/82.80	2.400/60.96	2.720/69.09	3.100/78.74					
-860LF	2 x 30	D	STD.	3.760/95.50	2.900/73.66	3.220/81.79	3.600/91.44					
-910LF	2 x 5	A	LOW	1.260/32.00	.400/10.16	.720/18.29	1.100/27.94					
-914LF	2 x 7	C		1.460/37.08	.600/15.24	.920/23.37	1.300/33.02					
-916LF	2 x 8	D		1.560/39.62	.700/17.78	1.020/25.91	1.400/35.56					
-920LF	2 x 10			1.760/44.70	.900/22.86	1.220/30.99	1.600/40.64					
-926LF	2 x 13			2.060/52.32	1.200/30.48	1.520/38.61	1.900/48.26					
-934LF	2 x 17			2.460/62.48	1.600/40.64	1.920/48.79	2.300/58.42					
-940LF	2 x 20			2.760/70.10	1.900/48.26	2.220/56.39	2.600/66.04					
-950LF	2 x 25			3.260/82.80	2.400/60.96	2.720/69.09	3.100/78.74					
10080054-960LF	2 x 30	D	LOW	3.760/95.50	2.900/73.66	3.220/81.79	3.600/91.44	.160/4.06	1			

NOTE 12

NOTE 12

NOT TOOLED
NOT TOOLED
NOT TOOLED
NOT TOOLED



Copyright FCI

mat'l. code		surface ISO 1302	tolerance ISO 406 ISO 1101	projection 	product family QUICKIE
ltr	ecn no	dr	date	tolerances unless otherwise specified	title
E				angles linear .XX±.01/XX±0.3 .XXX±.005/XX±0.13 .XXXX±.0020/XXX±0.051	E.O.N. HDR. ASSEMBLY SEA HORSE 4 WALL
				0°±2'	INCH/MM scale 1:1
		dr	M.HERNANDEZ	6/18/07	dwg no 10080054
		enr	M.BARRIOS	6/18/07	sheet 13 of 13 size A3
		chr	M.BARRIOS	6/18/07	type Product Customer Drawing
		appd	M.BARRIOS	6/18/07	
sheet index	revision	sheet			

Mouser Electronics

Authorized Distributor

Click to View Pricing, Inventory, Delivery & Lifecycle Information:

FCI / Amphenol:

10080054-007LF	10080054-043LF	10080054-061LF	10080054-079LF	10080054-115LF	10080054-169LF
10080054-524LF	10080054-013LF	10080054-032LF	10080054-044LF	10080054-062LF	10080054-080LF
10080054-091LF	10080054-097LF	10080054-133LF	10080054-170LF	10080054-205LF	10080054-211LF
10080054-218LF	10080054-140LF	10080054-001LF	10080054-501LF	10080054-505LF	10080054-050LF
10080054-552LF	10080054-175LF	10080054-503LF	10080054-200LF	10080054-049LF	10080054-110LF
10080054-086LF	10080054-098LF	10080054-116LF	10080054-152LF	10080054-122LF	10080054-103LF
10080054-019LF	10080054-554LF	10080054-187LF	10080054-527LF	10080054-109LF	10080054-031LF
10080054-253LF	10080054-188LF	10080054-008LF	10080054-507LF	10080054-134LF	10080054-074LF
10080054-146LF	10080054-193LF	10080054-206LF	10080054-212LF	10080054-511LF	10080054-157LF
10080054-508LF	10080054-522LF	10080054-127LF	10080054-164LF	10080054-502LF	10080054-085LF
10080054-145LF	10080054-199LF	10080054-037LF	10080054-014LF	10080054-520LF	10080054-055LF
10080054-310LF	10080054-504LF	10080054-151LF	10080054-553LF	10080054-506LF	10080054-002LF
10080054-224LF	10080054-181LF	10080054-525LF	10080054-073LF	10080054-067LF	10080054-230LF
10080054-229LF	10080054-026LF	10080054-555LF	10080054-038LF	10080054-139LF	10080054-509LF
10080054-025LF	10080054-543LF	10080054-521LF	10080054-056LF	10080054-523LF	10080054-530LF
10080054-158LF	10080054-510LF	10080054-182LF	10080054-176LF	10080054-217LF	10080054-500LF
10080054-223LF	10080054-194LF	10080054-121LF	10080054-528LF		