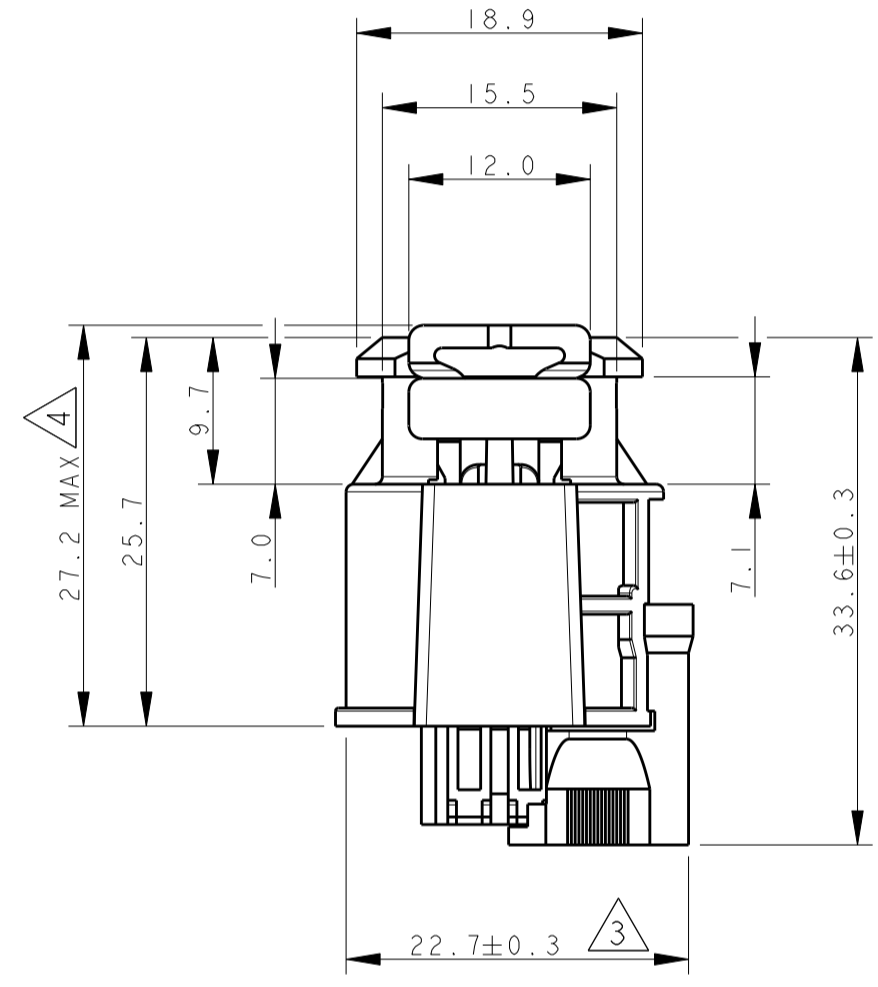
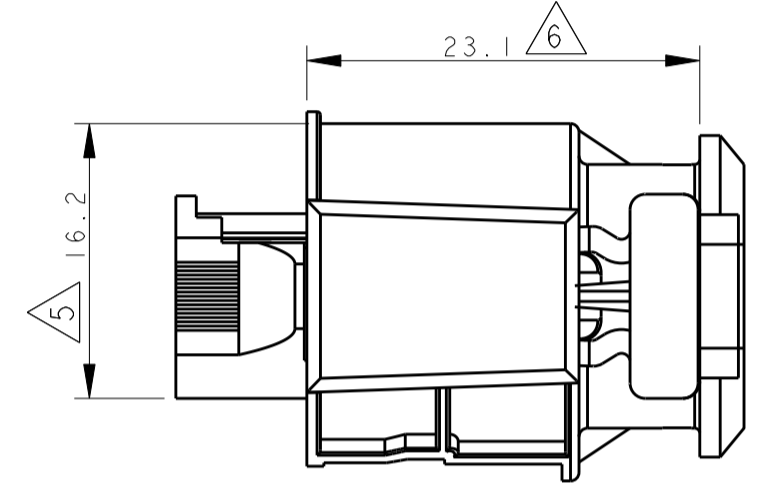
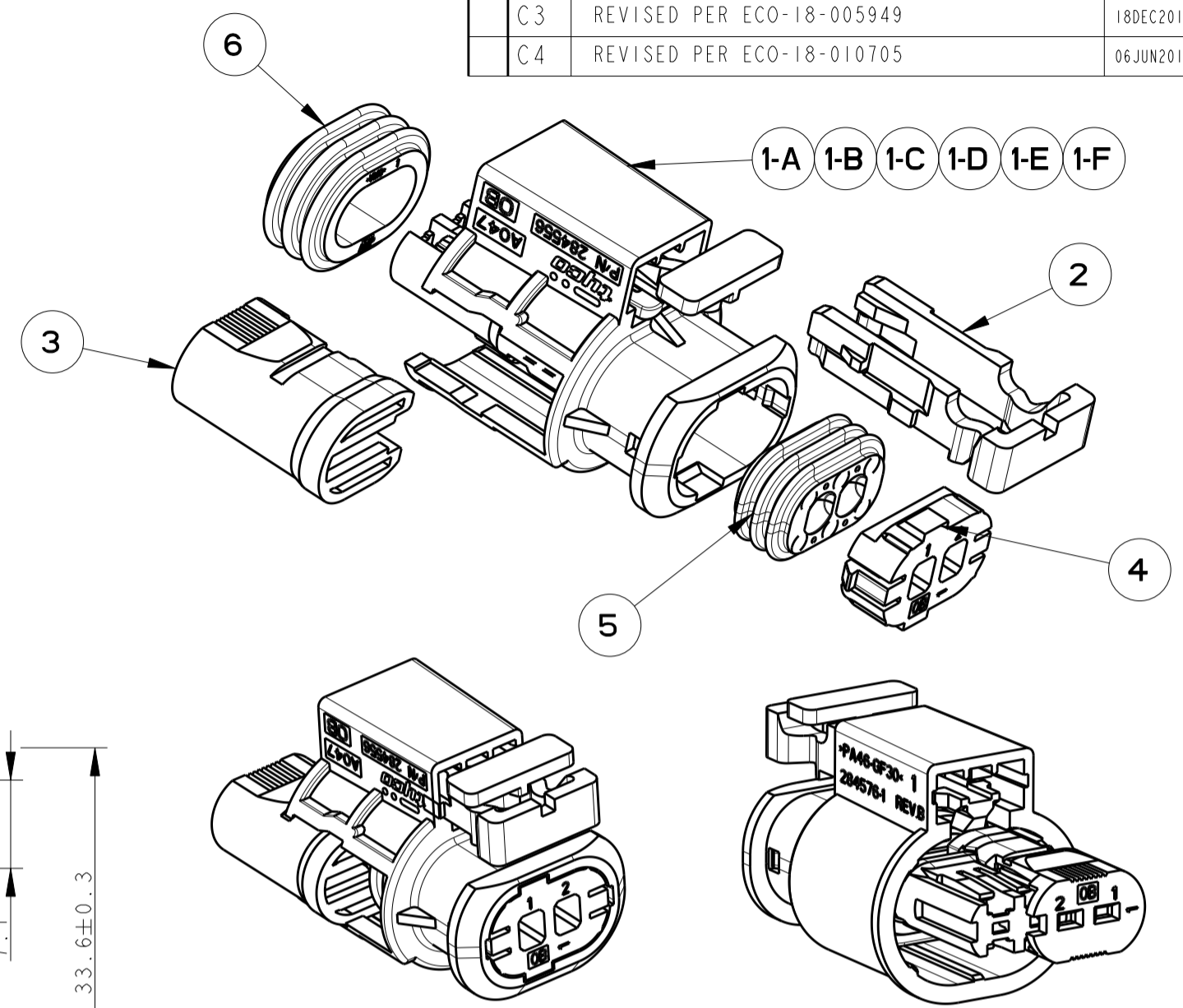
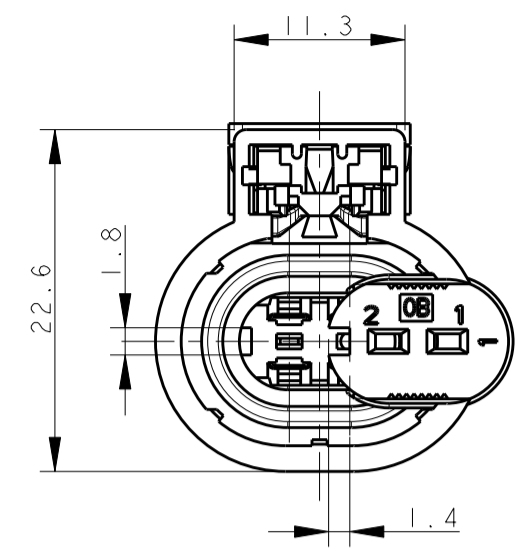
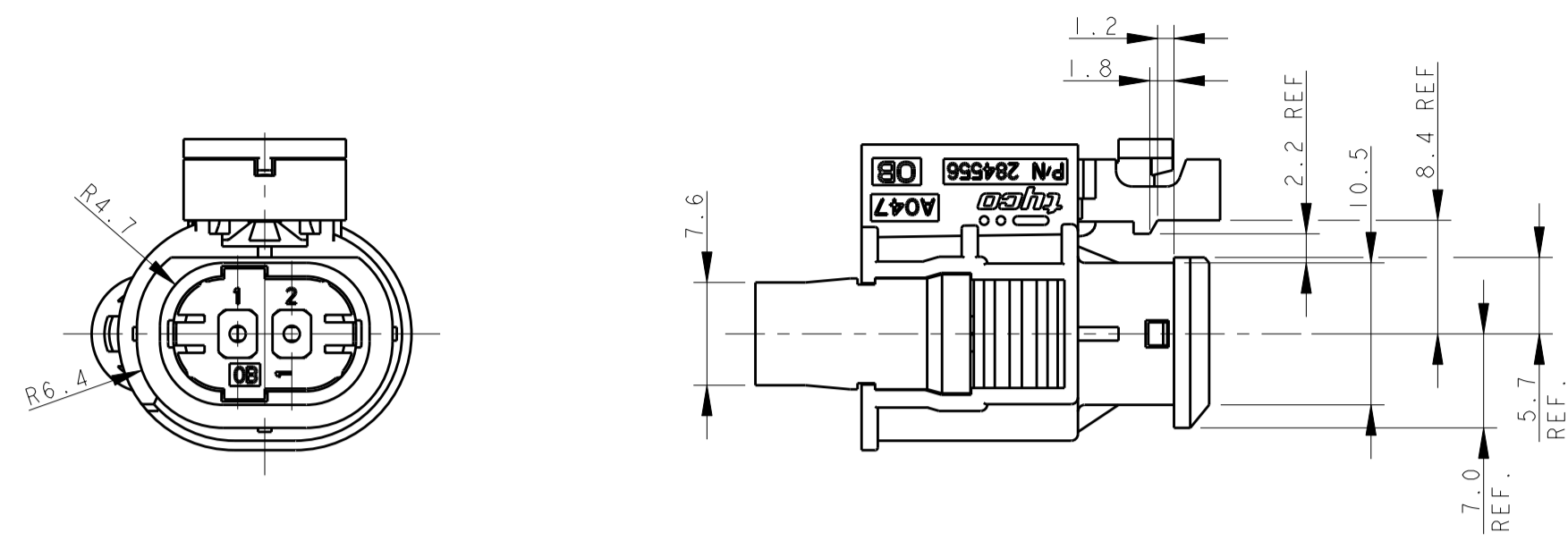


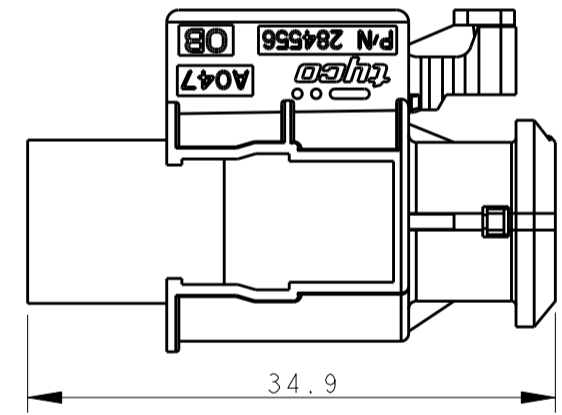
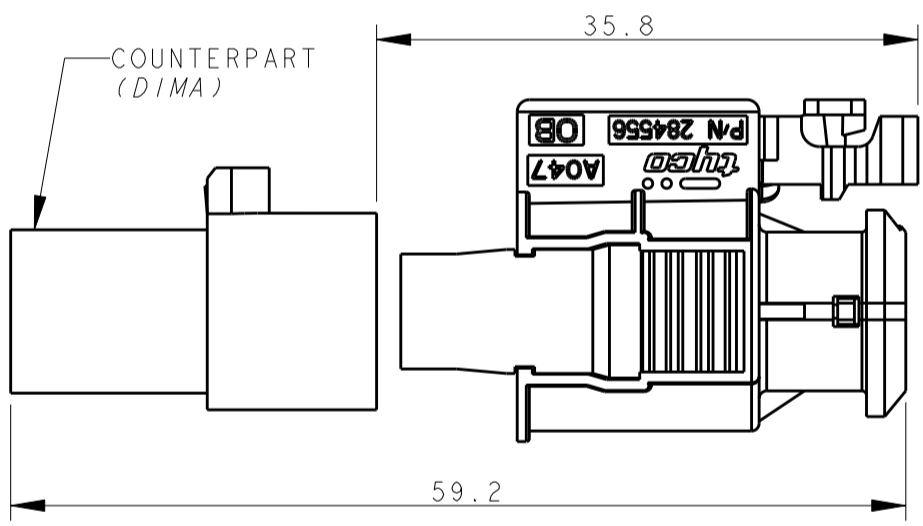
THIS DRAWING IS UNPUBLISHED. RELEASED FOR PUBLICATION 2009  
 © COPYRIGHT 2009 BY - ALL RIGHTS RESERVED.

LOC		DIST		REVISIONS			
P	LTR	DESCRIPTION	DATE	DWN	APVD		
C1		ECR-15-011013	29JUL2015	M.P.	M.G.		
C2		REVISED PER ECO-17-001706	10FEB2017	C.A.	M.G.		
C3		REVISED PER ECO-18-005949	18DEC2017	AP	MG		
C4		REVISED PER ECO-18-010705	06JUN2018	AP	VN		



DIMENSIONS OF MATING SPACE WITH COUNTERPART  
 (QUOTA DI INGOMBRO PER ACCOPPIAMENTO CON DIMA)

DIMENSION FOR FINAL MATING SPACE  
 (QUOTA DI INGOMBRO FINALE)



PART NUMBER AND REVISION					
284556-1 REV. C	284556-2 REV. C	284556-3 REV. C	1-284556-1 REV. C	1-284556-2 REV. C	1-284556-3 REV. C

ITEM	DESCRIPTION	MATERIAL	COLOUR	Q.TY						
1-A	2 POS. HOUSING (BLOCCETTO PORTACONTATTI 2 POSIZIONI)	PA 4.6 GF 30	BLACK (NERO)							
1-B	2 POS. HOUSING (BLOCCETTO PORTACONTATTI 2 POSIZIONI)	PA 4.6 GF 30	BROWN (MARRONE)							
1-C	2 POS. HOUSING (BLOCCETTO PORTACONTATTI 2 POSIZIONI)	PA 4.6 GF 30	GREY (GRIGIO)							
1-D	2 POS. HOUSING (BLOCCETTO PORTACONTATTI 2 POSIZIONI)	PBT GF 30	BLACK (NERO)							
1-E	2 POS. HOUSING (BLOCCETTO PORTACONTATTI 2 POSIZIONI)	PBT GF 30	BROWN (MARRONE)							
1-F	2 POS. HOUSING (BLOCCETTO PORTACONTATTI 2 POSIZIONI)	PBT GF 30	GREY (GRIGIO)							
2	CPA-CONNECTOR POSITION ASSURANCE (DISPOSITIVO CORRETTO ACCOPPIAMENTO)	PA 6.6 GF 13	YELLOW (GIALLO)							
3	SECONDARY LOCK (DISPOSITIVO AGGANCIO SECONDARIO)	PA 6.6 GF 13	RED (ROSSO)							
4	POLARIZATOR (COPERCHIO POLARIZZATORE)	PA 6.6 GF 13	BLACK (NERO)							
5	FAMILY SEAL (GUARNIZIONE MULTIPLA)	LSR	REDDISH BROWN (ROSSO MATTONE)							
6	COUPLING SEAL (GUARNIZIONE FRONTALE)	LSR	REDDISH BROWN (ROSSO MATTONE)							

- 1) ALL CAVITIES ARE SUITABLE FOR RECEPTACLE CONTACTS:  
 SENSOR FLAT CONTACT P/N 929025-1, WIRE RANGE FROM 1.5 TO 2.0 mm<sup>2</sup>  
 SENSOR FLAT CONTACT P/N 929027-1, WIRE RANGE FROM 0.75 TO 1.0 mm<sup>2</sup>  
 BOTH CONTACTS ARE GOLD PLATED IN CONTACT AREA  
 FOR MINIMUM ACCEPTABLE CABLE INSULATION DIAMETER SEE SEALING PERFORMANCES  
 SECTION ON PRODUCT SPECIFICATION N. 108-20207  
 SEE APPLICATION SPEC. 114-18254 FOR CORRECT WIRE CRIMPING PARAMETERS  
 (LE CAVITA' SONO ADATTE PER CONTATTI:  
 SENSOR FLAT CONTACT P/N 929025-1, RANGO FILO DA 1.5 A 2.0 mm<sup>2</sup>  
 SENSOR FLAT CONTACT P/N 929027-1, RANGO FILO DA 0.75 A 1.0 mm<sup>2</sup>  
 ENTRAMBI I CONTATTI SONO DORATI NELLA ZONA DI CONTATTO  
 PER IL MINIMO DIAMETRO ACCETTABILE DELL'ISOLANTE VEDI PARAGRAFO 'SEALING PERFORMANCES'  
 SU SPECIFICA DI PRODOTTO N. 108-20207.  
 VEDI SPECIFICA DI APPLICAZIONE N. 114-18254 PER LA CORRETTA AGGRAFFATURA DEL CAVO)
- 2) FOR COUNTERPART INTERFACE DRAWING SEE SHEET 2 OF 2  
 (PER IL DISEGNO DELLA CONTROPARTE DI INTERFACCIA VEDI FOGLIO 2 DI 2)
- 3) SECONDARY LOCK SUPPLIED IN PRE-ASSEMBLED POSITION  
 (AGGANCIO SECONDARIO FORNITO IN POSIZIONE PRE-ASSEMBLATA)
- 4) CPA SUPPLIED IN PRE-ASSEMBLED POSITION  
 (CPA FORNITO IN POSIZIONE PRE-ASSEMBLATA)
- 5) SECONDARY LOCK IN PROPER POSITION FOR MATING WITH COUNTERPART  
 (AGGANCIO SECONDARIO IN POSIZIONE CORRETTA PER CONNESSIONE CON CONTROPARTE)
- 6) CPA IN CLOSED POSITION, WHEN THE CONNECTOR IS PROPERLY MATED WITH COUNTERPART  
 (CPA IN POSIZIONE CHIUSA QUANDO IL CONNETTORE E' CORRETTAMENTE ACCOPPIATO CON CONTROPARTE)

THIS DRAWING IS A CONTROLLED DOCUMENT. DWN P. CASSANDRIN 24MAR99  
 CHK O. CANUTO 24MAR99  
 APVD -

DIMENSIONS: mm TOLERANCES UNLESS OTHERWISE SPECIFIED:  
 0 PLC ±0.3  
 1 PLC ±0.2  
 2 PLC ±0.1  
 3 PLC ±  
 4 PLC ±  
 ANGLES ±  
 FINISH ±

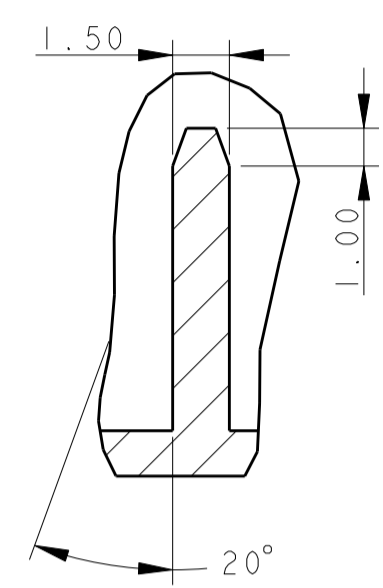
PRODUCT SPEC 108-20207  
 APPLICATION SPEC 411-20059  
 WEIGHT -  
 CUSTOMER DRAWING

NAME 2 POSITIONS CONNECTOR FOR INJECTION COIL  
 SIZE A2 CAGE CODE 0779 DRAWING NO C-284556 RESTRICTED TO  
 SCALE 2:1 SHEET 1 OF 2 REV C4

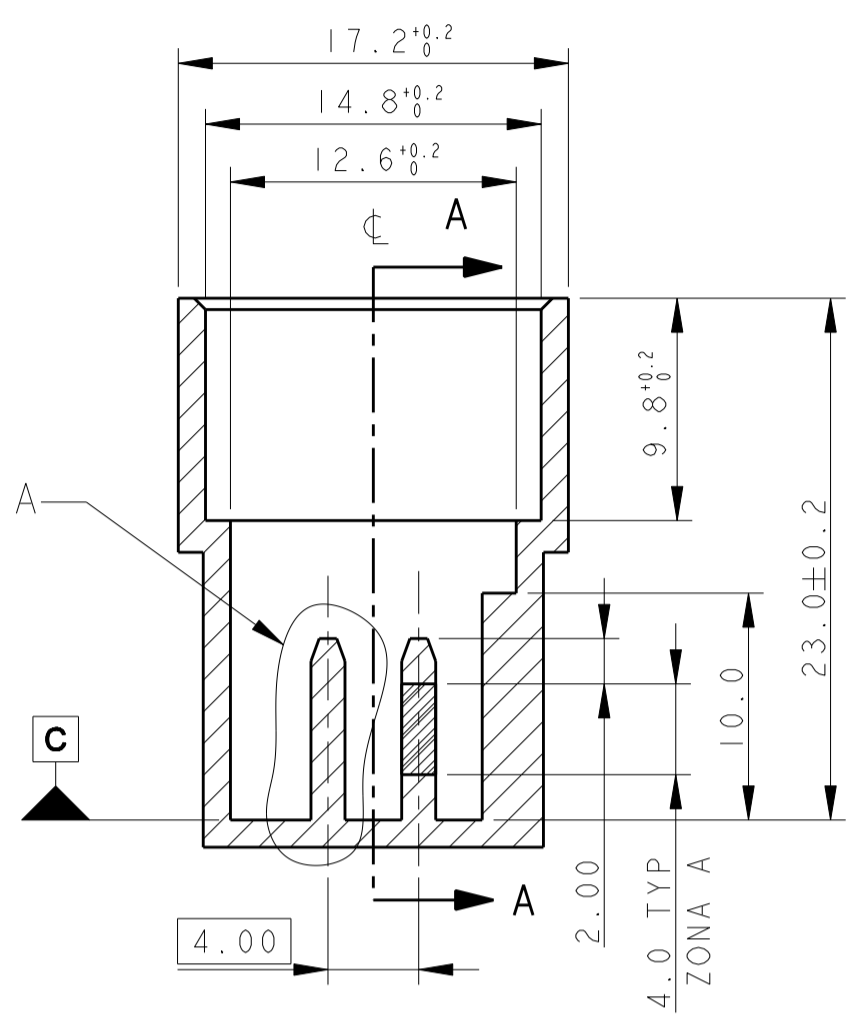
STE TE Connectivity

THIS DRAWING IS UNPUBLISHED. RELEASED FOR PUBLICATION 2009  
 © COPYRIGHT 2009 BY - ALL RIGHTS RESERVED.

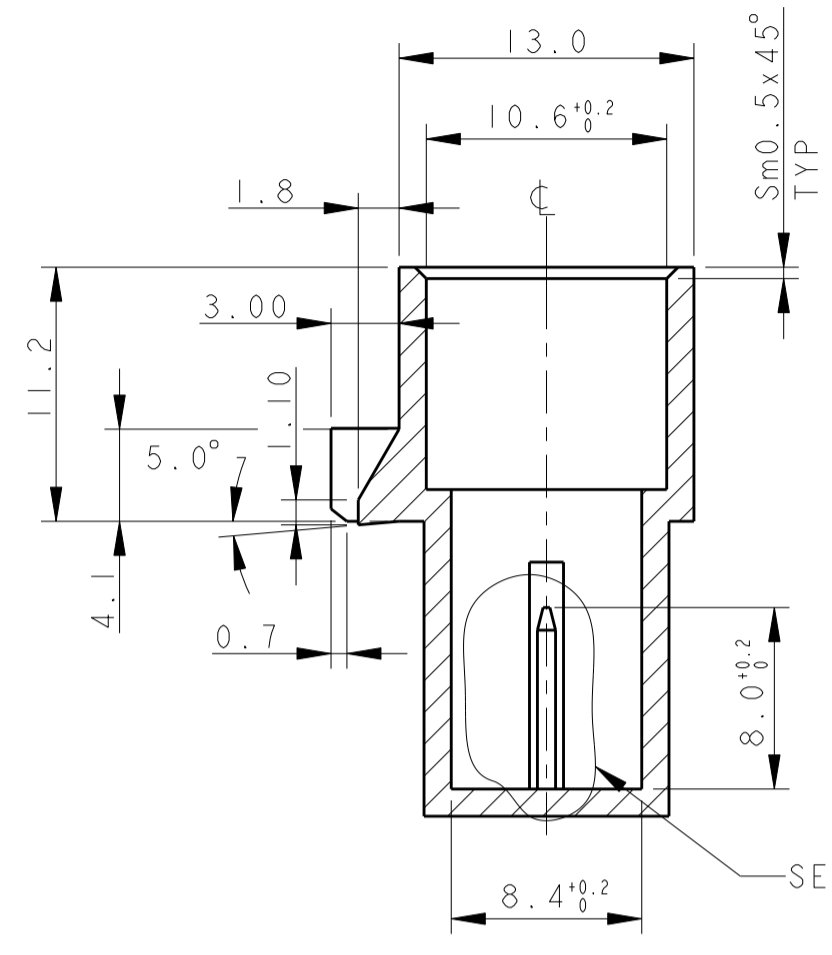
REVISIONS							
LOC	DIST	P	LTR	DESCRIPTION	DATE	DWN	APVD
		-		SEE SHEET 1			



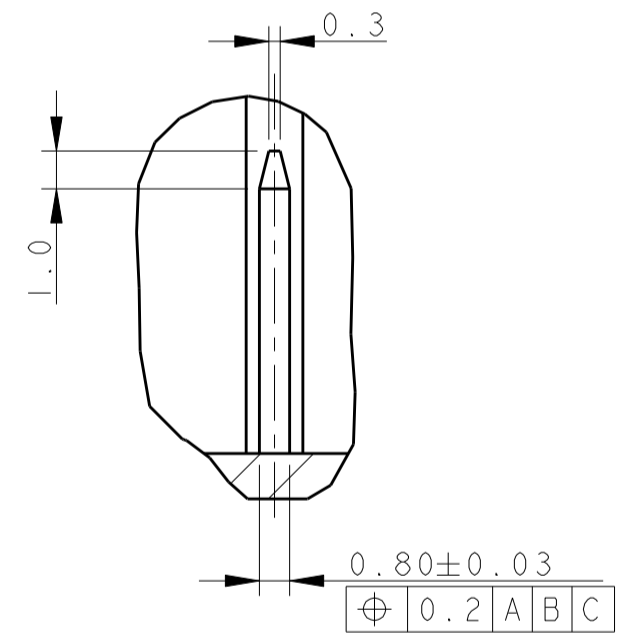
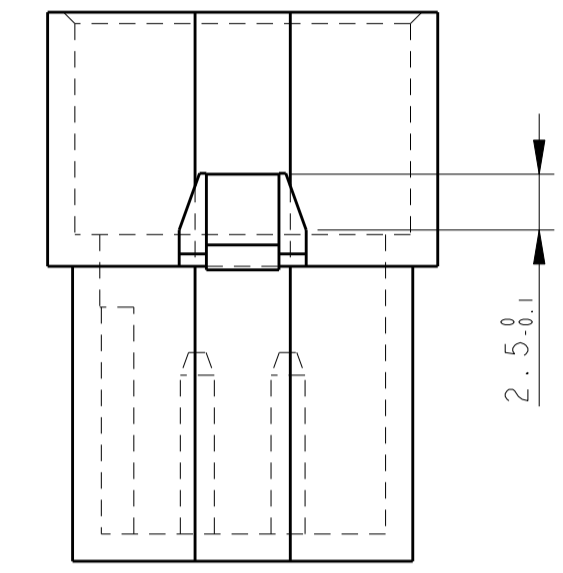
DETAIL A  
SCALE 5:1



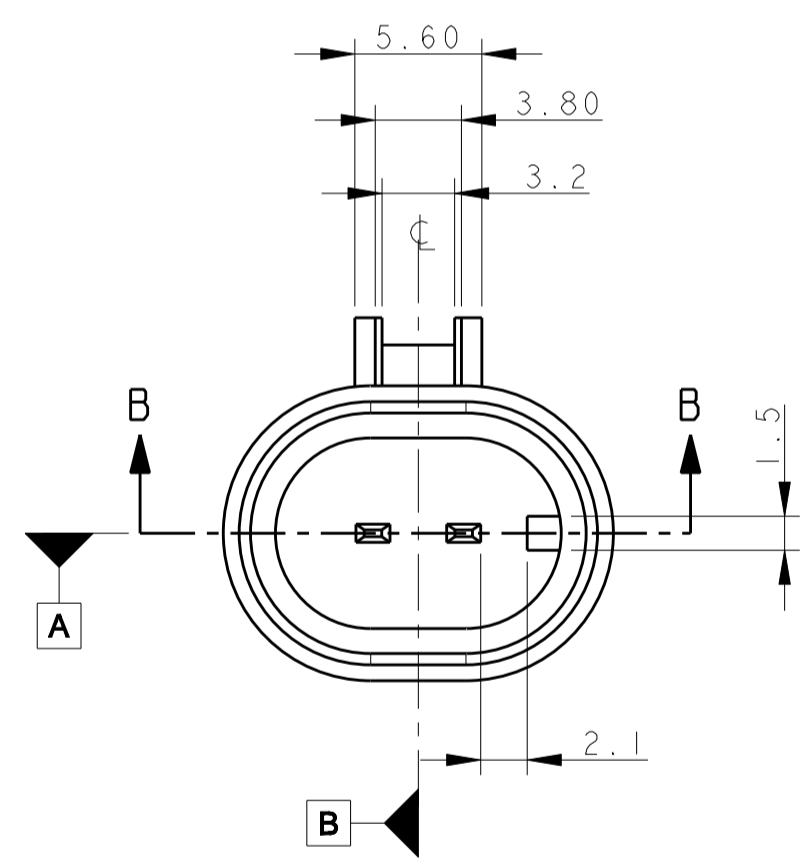
SECTION B-B



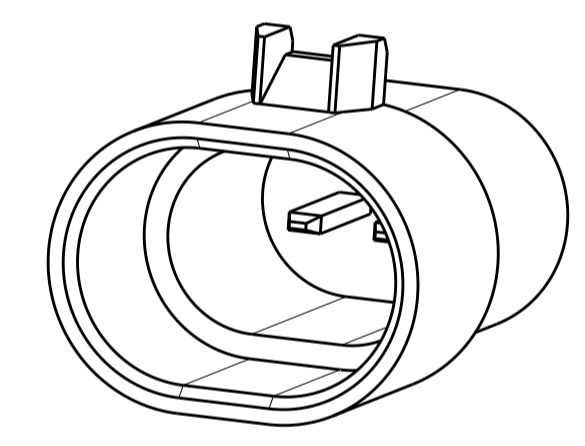
SECTION A-A



DETAIL B  
SCALE 5:1



I TAB DEVONO SOPPORTARE UN CARICO DI 15 N APPLICATO COME IN FIGURA, SENZA SUBIRE, AL TERMINE DELL'APPLICAZIONE DELLA FORZA, UNA DEFORMAZIONE PERMANENTE SUPERIORE A 0,1mm IN TUTTE LE DIREZIONI. LA PROVA PREVEDE LA RIMOZIONE DELLA CORONA PLASTICA ESTERNA.  
 (THE TABS MUST WITHSTAND A 15N LOAD APPLIED AS SHOWN, WITHOUT SUFFERING A PERMANENT DEFORMATION GREATER THAN 0,1mm, IN ALL DIRECTION, AFTER FORCE APPLICATION. THE PLASTIC EXTERNAL HOOD MUST BE REMOVED TO PERFORM THE TEST.)



**MATERIALS:**  
**(MATERIALI:)**

- BODY IN PLASTIC MATERIAL SUITABLE FOR 150°C TEMPERATURE (CORPO IN MATERIALE PLASTICO ADATTO PER TEMPERATURA DI 150°C CONTINUATIVI)
- TABS: BRASS WITH 0.4 micron MIN GOLD IN ZONE A OVER 1.3/3.5 micron MIN NICKEL (LINGUETTE IN OTTONE DORATO 0.4 micron MIN ORO in zona A su 1.3/3.5 micron NICKEL)

THIS DRAWING IS A CONTROLLED DOCUMENT.		DWN P. CASSANDRIN 24MAR99	TE Connectivity	
		CHK O. CANUTO 24MAR99		
DIMENSIONS: mm		TOLERANCES UNLESS OTHERWISE SPECIFIED:		NAME 2 POSITIONS CONNECTOR FOR INJECTION COIL
		0 PLC ±0.3 1 PLC ±0.2 2 PLC ±0.1 3 PLC ± 4 PLC ± ANGLES ± FINISH ±		PRODUCT SPEC 108-20207 APPLICATION SPEC 411-20059 WEIGHT - CUSTOMER DRAWING
MATERIAL		APVD -		SIZE A260779 CAGE CODE C-284556 DRAWING NO 284556 RESTRICTED TO
		SCALE 2:1		SHEET 2 OF 2 REV C4

# Mouser Electronics

Authorized Distributor

Click to View Pricing, Inventory, Delivery & Lifecycle Information:

[TE Connectivity:](#)

[284556-1](#)