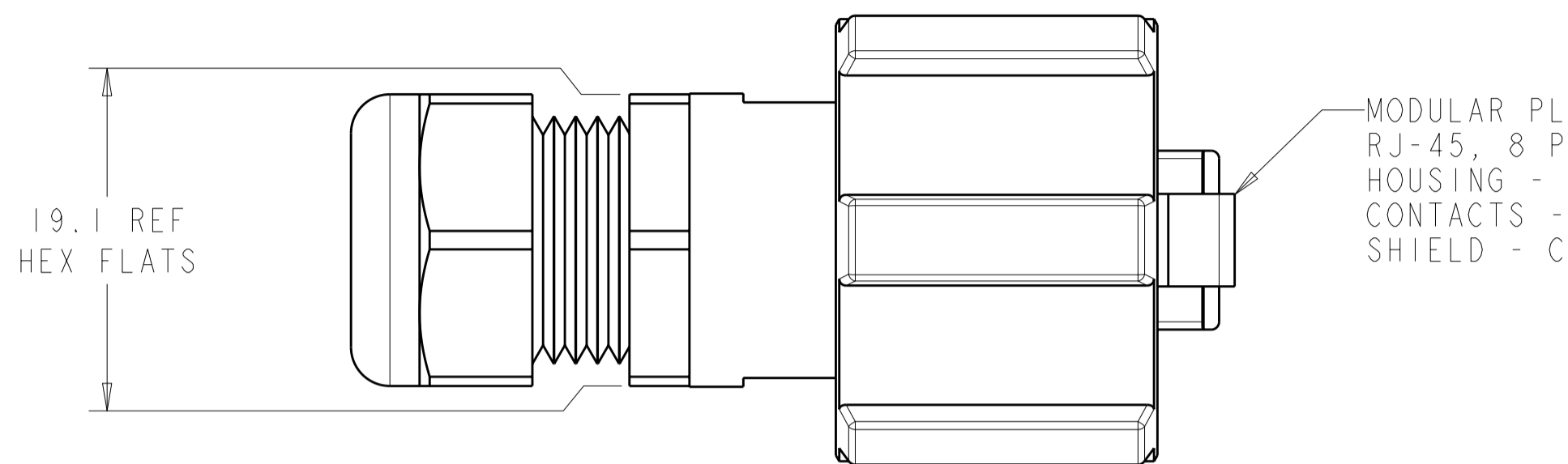
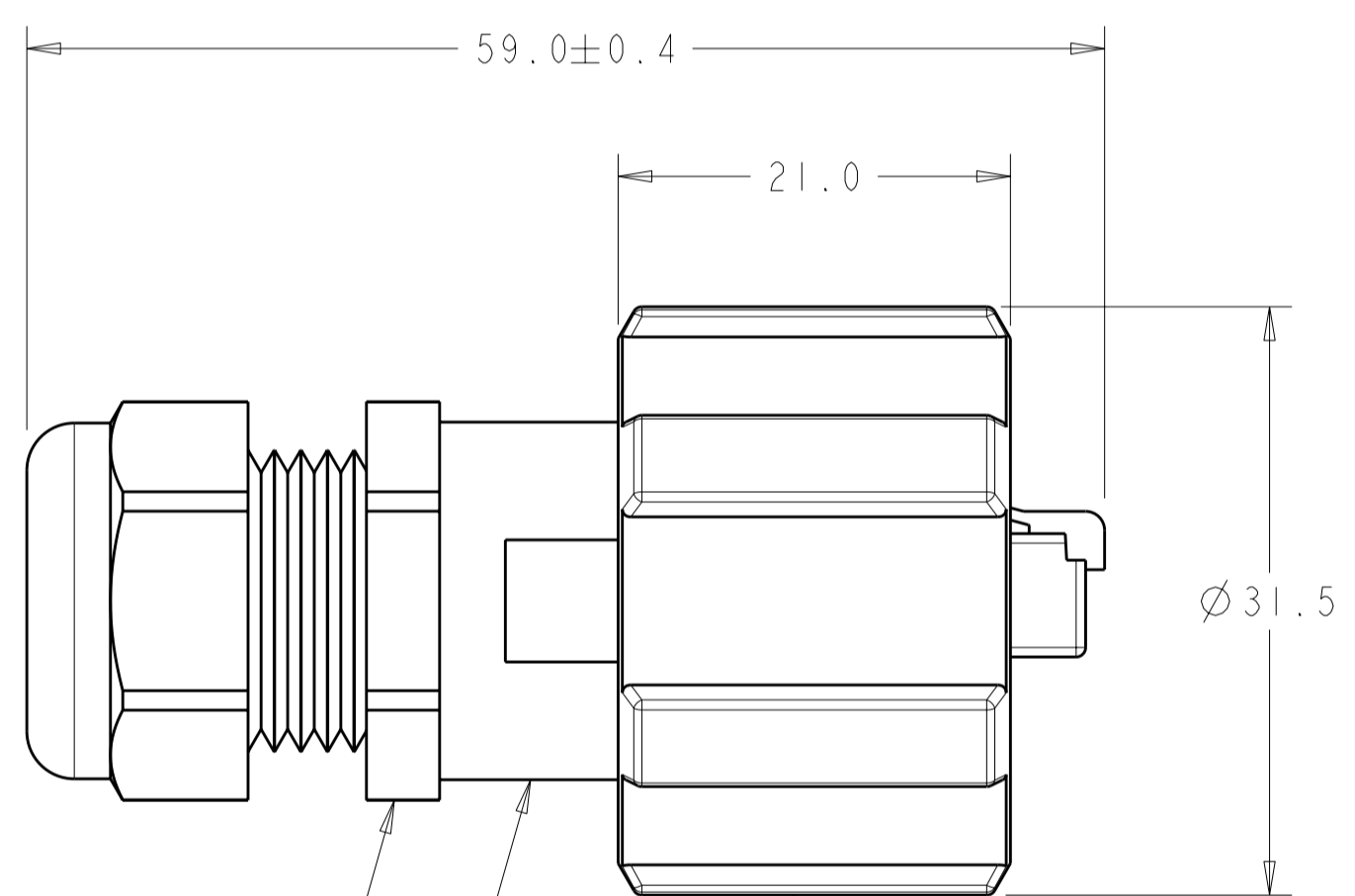


THIS DRAWING IS UNPUBLISHED. RELEASED FOR PUBLICATION 2011
 © COPYRIGHT 2011 ALL RIGHTS RESERVED.

| LOC | DIST | REVISIONS | | | |
|-----|------|-------------|---------------------------|-----------|--------|
| P | LTR | DESCRIPTION | DATE | DWN | APVD |
| FT | 0 | CI | REVISED PER ECO-11-005027 | 14MAY2011 | RK HMR |



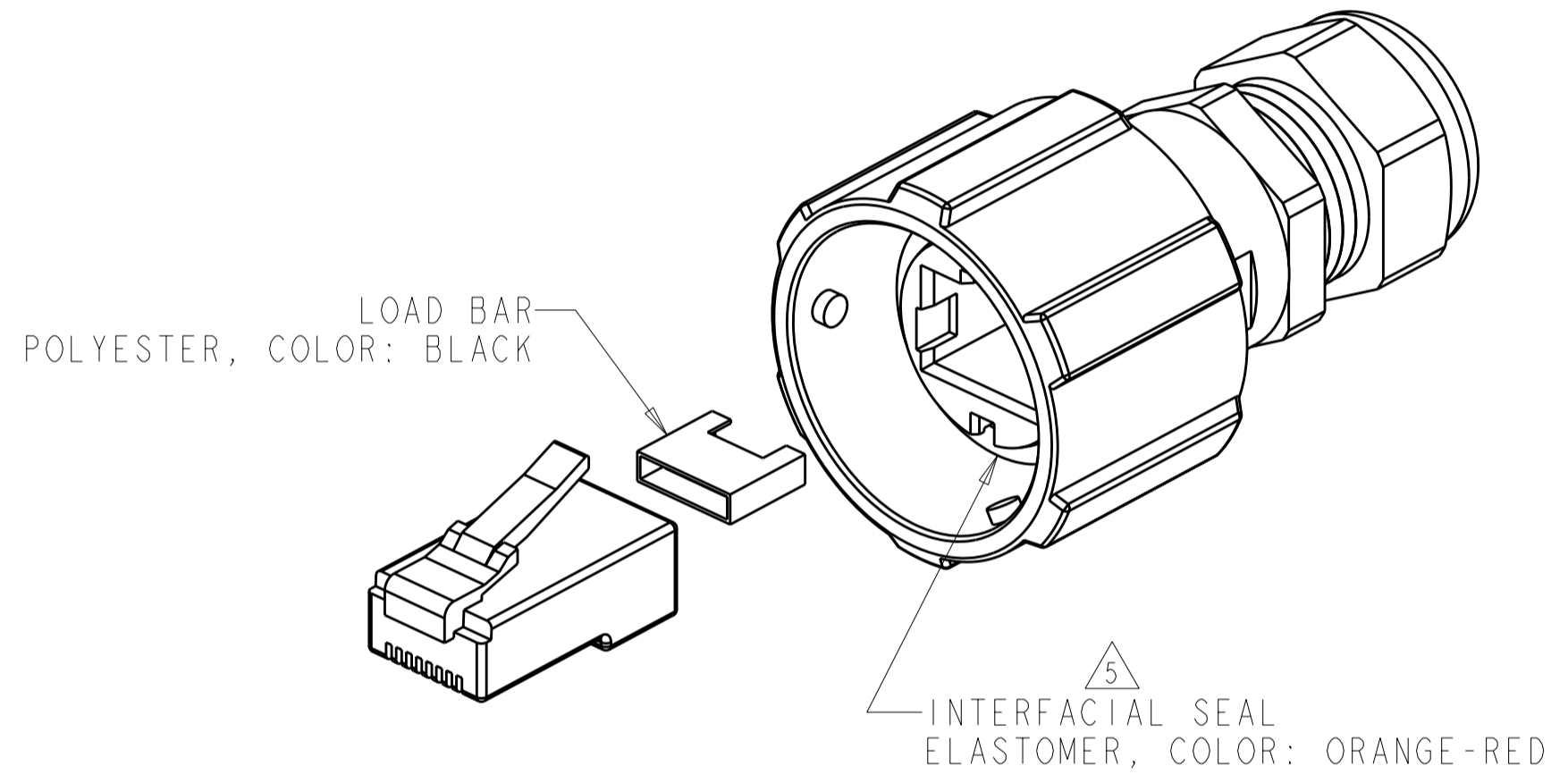
MODULAR PLUG ASSEMBLY
 RJ-45, 8 POSITION-SEE TABULATION BELOW
 HOUSING - CLEAR POLYCARBONATE
 CONTACTS - PHOSPHOR BRONZE, GOLD OVER NICKEL
 SHIELD - COPPER ALLOY W/ SEMI-BRIGHT NICKEL PLATE (-3 & -4 ONLY)



1 CABLE FITTING AND ELASTOMER
 POLYAMIDE COLOR: BLACK

4 PLUG HOUSING
 POLYESTER, COLOR: BLACK

COUPLING RING
 POLYESTER, COLOR: BLACK



SCALE 2:1

- 1 CABLE DIAMETER RANGE, 4.6 mm TO 7.9 mm, CABLE FITTING ONLY, SEE APPLICATION SPECIFICATION FOR PLUG TERMINATION INFORMATION
- 2. THIS PRODUCT HAS NOT COMPLETED VALIDATION TESTING.
- 3. PARTS PACKAGED UNASSEMBLED IN POLYBAG.
- 4 GEOMETRY CAN VARY.
- 5 ELASTOMER SEAL IS SECURED TO HOUSING WITH ADHESIVE.

| DESCRIPTION | CONDUCTOR TYPE | PART NUMBER |
|-------------|--------------------|-------------|
| SHIELDED | 24-26 AWG STRANDED | 1738607-4 |
| | 24-26 AWG SOLID | 1738607-3 |
| UNSHIELDED | 24 AWG STRANDED | 1738607-2 |
| | 24 AWG SOLID | 1738607-1 |

| | | | | |
|--|--|-------------------------------|--|--|
| THIS DRAWING IS A CONTROLLED DOCUMENT. | | DWN R.L. KOLLER 25MAR04 | TE Connectivity | |
| DIMENSIONS: mm | | CHK J. LANDIS 26MAR04 | | |
| TOLERANCES UNLESS OTHERWISE SPECIFIED: | | APVD S. HEADER 17JUN05 | NAME PLUG ASSEMBLY INDUSTRIAL CIRCULAR ETHERNET CONNECTOR | |
| 0 PLC ±0.3 | | PRODUCT SPEC 108-2198 | SIZE A2 | |
| 1 PLC ±0.2 | | APPLICATION SPEC 114-13136 | CAGE CODE 00779 | |
| 2 PLC ±0.10 | | WEIGHT - | DRAWING NO 1738607 | |
| 3 PLC ± | | MATERIAL - | RESTRICTED TO - | |
| 4 PLC ± | | | SCALE 5:2 SHEET 1 OF 1 REV CI | |
| ANGLES ±1° | | CUSTOMER DRAWING | | |
| FINISH | | | | |

Mouser Electronics

Authorized Distributor

Click to View Pricing, Inventory, Delivery & Lifecycle Information:

[TE Connectivity:](#)

[1738607-2](#) [1738607-1](#)