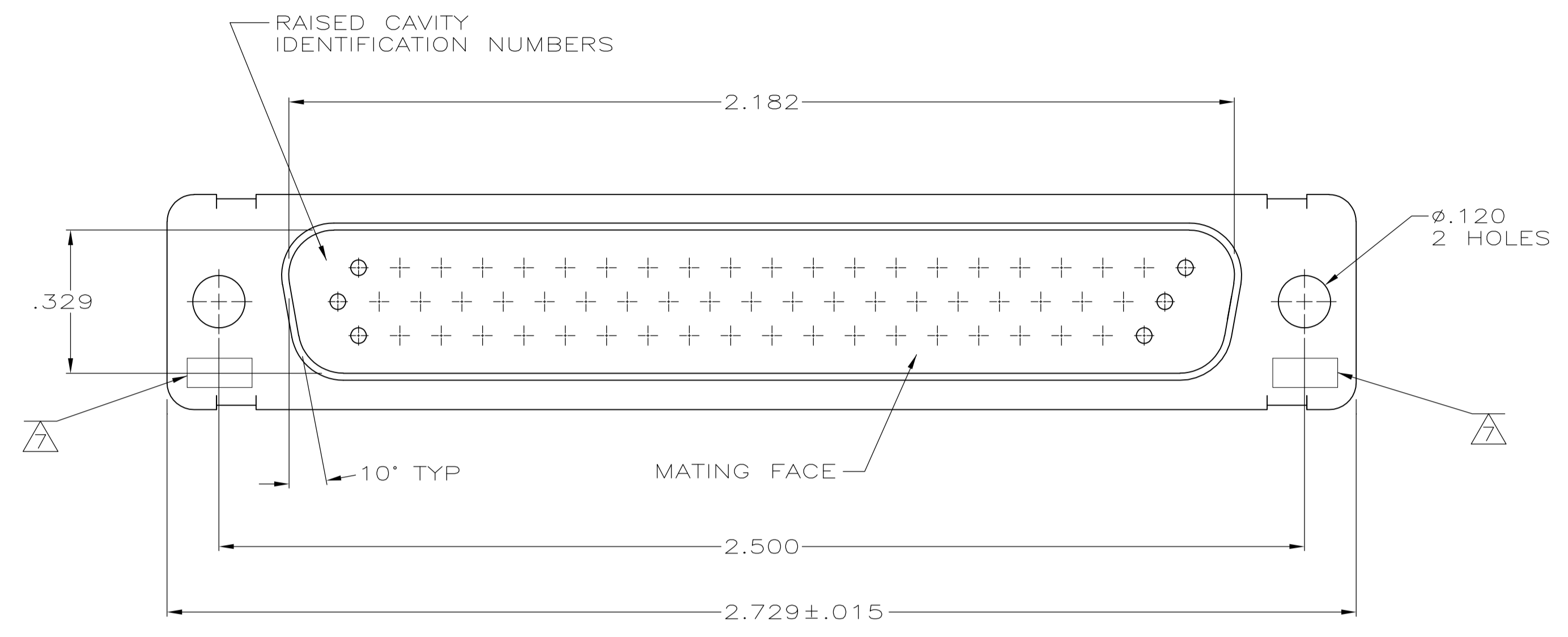
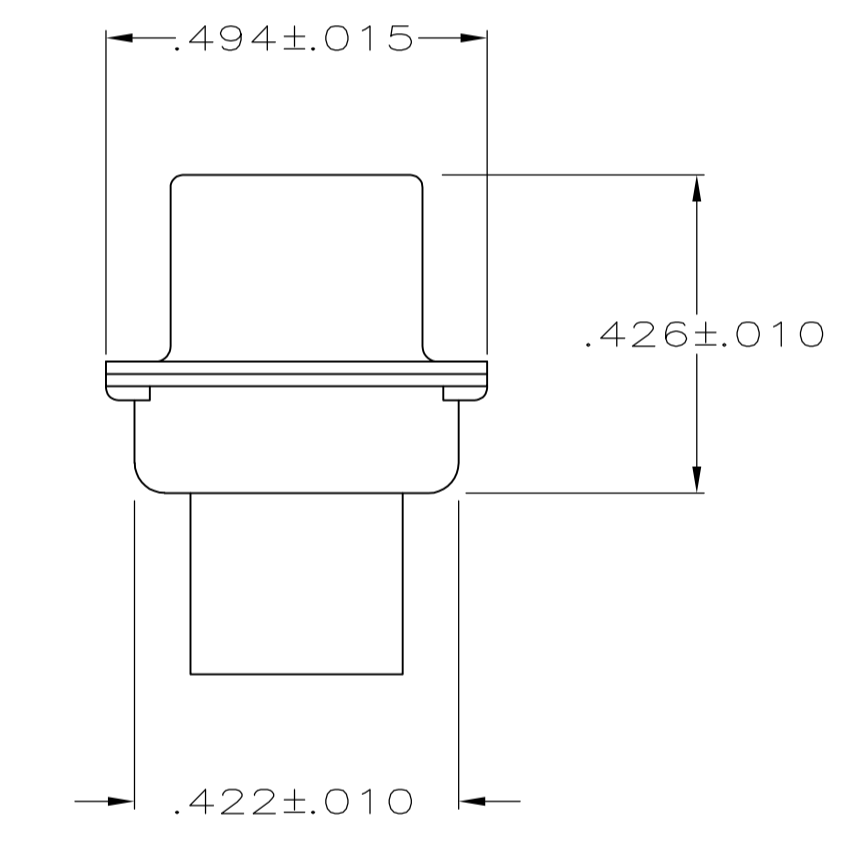
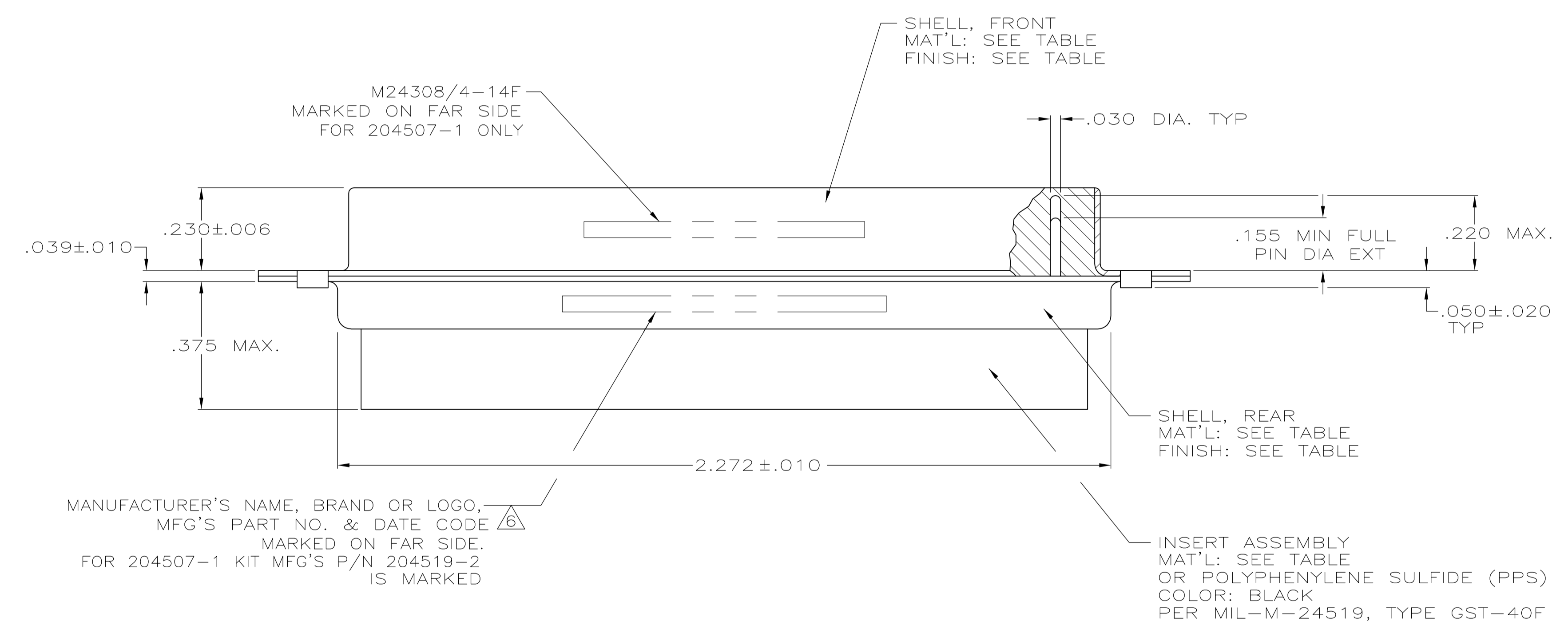


REVISONS		DATE	BY	APP'D
NO.	DESCRIPTION			
1	REVISED PER ECO-15-016062	09NOV15	KG	CD



- THIS PLUG IS DESIGNED TO CONFORM TO THE LATEST ISSUE OF MIL-C-24308.
- MAX WIRE INSUL. TO BE USED WITH THIS PLUG IS .054 DIA.
- METAL RETENTION CLIPS ARE INCLUDED IN INSERTS.
- PACKAGE STAMPED M 24308/4-267F.
- THIS PLUG WILL ACCEPT SIZE 22 PIN CONTACT M 39029/58-360 OR ANY TYCO HDD-22 PIN CONTACT
- MFG'S PART NO. STAMPED ON CONNECTOR REPRESENTS KIT NUMBER WITH CONTACTS FOR 204507-1 ONLY.
- UL/CSA DESIGNATION STAMPED IN THIS AREA, OPTIONAL.
- P/N'S 204507-4, -5, & 5--4 HAVE GROUNDING INDENTS ON FRONT SHELL, NOT SHOWN ON DRAWING.
- FINISH: BRIGHT TIN PER ASTM-B-545 .000400-.000550 THK OVER COPPER PER AMS2418, .000050 MIN THK.



FINISH	SHELL MAT'L	INSERT MAT'L	PART NO.
BRIGHT TIN PER ASTM-B-545	STEEL, CLASS G	GST-40F PER MIL-M-24519	5-204507-4
	STEEL, CLASS G	GST-40F PER MIL-M-24519	204507-6
	STEEL, CLASS G	GST-40F PER MIL-M-24519	204507-5
BRIGHT TIN PER ASTM-B-545	STEEL, CLASS G	GST-40F PER MIL-M-24519	204507-4
SUPSD BY 204507-1	CADMIUM PER QQ-P-416	STEEL, CLASS G	GST-40F PER MIL-M-24519
SUPSD BY 206502-4	CADMIUM PER QQ-P-416	BRASS	GST-40F PER MIL-M-24519
	CADMIUM PER QQ-P-416	STEEL, CLASS G	GST-40F PER MIL-M-24519
	SHELL FINISH	SHELL MAT'L	INSERT MAT'L
			PART NO.

THIS DRAWING IS A CONTROLLED DOCUMENT.

APPROVED: F.C. BALLEW

DATE: 25JAN88

DESIGNED: C.C. THOMAS

DATE: 01DEC87

TE Connectivity

AMPLIMITE PLUG FOR PIN CONTACTS HI-DENSITY D CONNECTOR SIZE 4 (62 POSN) SERIES 90

SIZE: A1

SCALE: 4:1

SHEET: 1 OF 1

REV: W

Mouser Electronics

Authorized Distributor

Click to View Pricing, Inventory, Delivery & Lifecycle Information:

[TE Connectivity:](#)

[204507-1](#)