

THIS DRAWING IS UNPUBLISHED. RELEASED FOR PUBLICATION

© COPYRIGHT - By - ALL RIGHTS RESERVED.

LOC	DIST	REVISIONS					
FT	0	P	LTR	DESCRIPTION	DATE	DWN	APVD
			F3	REVISED PER ECO-13-015432	01OCT2013	KH	MM

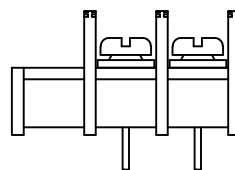
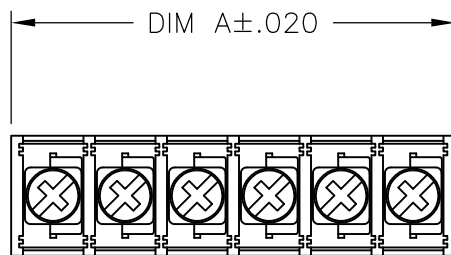
MATERIALS:  
 HOUSING: POLYAMIDE, UL94V-0, BLACK.  
 TERMINALS: COPPER ALLOY, TIN PLATED.  
 SCREWS: STEEL, ZINC PLATED.

ELECTRICAL:  
 RATING: 20A, UL & CSA.

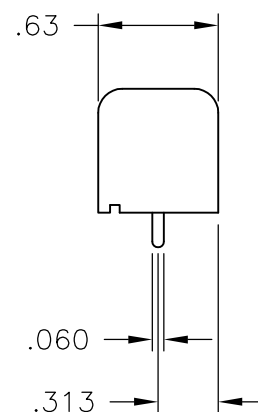
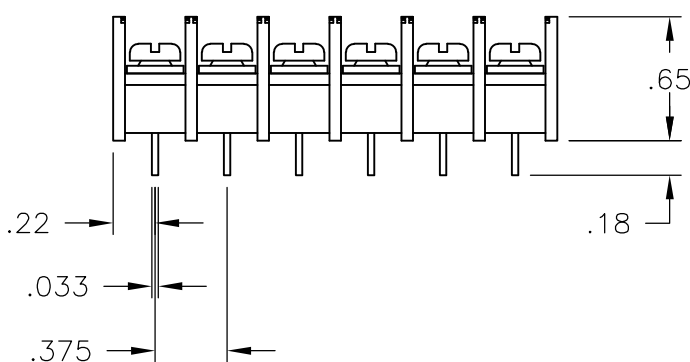
MECHANICAL:  
 WIRE RANGE: 12-22 AWG.  
 MAXIMUM TIGHTENING TORQUE: 7 IN-LBS.

ENVIRONMENTAL:  
 CONTINUOUS OPERATING TEMP.: -40°C TO +105°C.

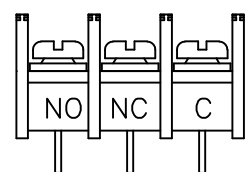
- 1 PRELIMINARY PART NUMBER.
- 2 SCREWS ARE BOTTOMED, NO THREAD INTERRUPT.
- 3 OBSOLETE PART NUMBER.
- 4 CAPTIVE SCREWS BACKED OUT TO 1.3 IN-LB TORQUE.
- 5 OBSOLETE PARTS: OBSOLETE CIS STREAMLINING PER D.RENAUD/D.SINISI
- 6 SCREWS ARE NICKEL PLATED BRASS



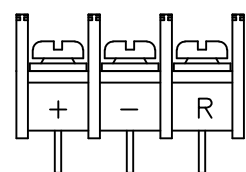
5 OBSOLETE ~~796922-6~~



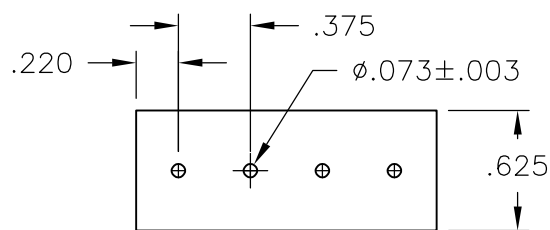
5 OBSOLETE ~~796922-7~~



1-796922-8



1-796922-9



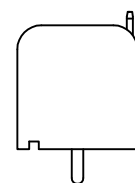
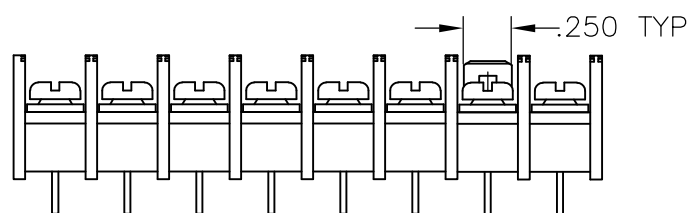
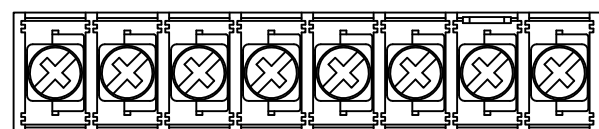
RECOMMENDED PCB LAYOUT

DIM A	NO OF POS	CATALOG NUMBER	PART NUMBER
6.436	17	NC6-P108-17	5-1437664-2
6.061	16	NC6-P108-16	5-1437664-1
5.686	15	NC6-P108-15	5-1437664-0
5.311	14	NC6-P108-14	4-1437664-9
4.936	13	NC6-P108-13	4-1437664-8
4.561	12	NC6-P108-12	4-1437664-7
4.186	11	NC6-P108-11	4-1437664-6
3.811	10	NC6-P108-10-068	1-796922-5
3.811	10	NC6-P108-10	4-1437664-4
3.436	9	NC6-P108-09-067	1-796922-4
3.436	9	NC6-P108-09	4-1437664-2
3.061	8	NC6-P108-08-069	1-796922-7
3.061	8	NC6-P108-08-066	1-796922-3
3.061	8	NC6-P108-08	4-1437664-1
2.686	7	NC6-P108-07-065	1-796922-2
2.686	7	NC6-P108-07-057	<del>796922-7</del>
2.686	7	NC6-P108-07	4-1437664-0
2.311	6	NC6-P108-06-064	1-796922-1
2.311	6	NC6-P108-06-054	<del>796922-3</del>
2.311	6	NC6-P108-06-049	3-1437664-9
2.311	6	NC6-P108-06	3-1437664-8
1.936	5	NC6-P108-05-063	1-796922-0
1.936	5	NC6-P108-05-052	3-1437664-7
1.936	5	NC6-P108-05	3-1437664-5
1.561	4	NC6-P106-04	6-1437664-2
1.561	4	NC6-P108-04-062	<del>796922-9</del>
1.561	4	NC6-P108-04	3-1437664-3
1.186	3	NC6-P108-03-289	1-796922-9
1.186	3	NC6-P108-03-290	1-796922-8
1.186	3	NC6-P108-03-056	<del>796922-6</del>
1.186	3	NC6-P108-03-501	1-796922-6
1.186	3	NC6-P108-03	3-1437664-1
.811	2	NC6-P108-02-061	<del>796922-8</del>
.811	2	NC6-P108-02	3-1437664-0

THIS DRAWING IS A CONTROLLED DOCUMENT.		DWN	S SCHLEGEL	03JUN03	<b>STE</b> TE Connectivity		
DIMENSIONS: INCHES		CHK	H WAKEEM	6/3/03			
TOLERANCES UNLESS OTHERWISE SPECIFIED:		APVD	H WAKEEM	6/3/03			
0 PLC ± - 1 PLC ± - 2 PLC ± .01 3 PLC ± .005 4 PLC ± - ANGLES ± -		NAME		NC6-P108-XX ASSEMBLY			
MATERIAL		PRODUCT SPEC		SIZE	CAGE CODE	DRAWING NO	RESTRICTED TO
FINISH		APPLICATION SPEC		A3	00779	C-3-1437664-0	-
CUSTOMER DRAWING				WEIGHT	SCALE		SHEET
				-	NTS		1 OF 2
				REV		F3	


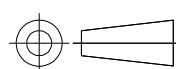
THIS DRAWING IS UNPUBLISHED. RELEASED FOR PUBLICATION  
 © COPYRIGHT - By - ALL RIGHTS RESERVED.

LOC	DIST	REVISIONS					
FT	0	P	LTR	DESCRIPTION	DATE	DWN	APVD
		-		SEE SHEET 1	-	-	-



1-796922-7

9.061	24	NC6-P108-24	5-1437664-7
8.686	23	NC6-P108-23	796922-5
8.311	22	NC6-P108-22	5-1437664-6
7.936	21	NC6-P108-21	796922-4
7.561	20	NC6-P108-20	5-1437664-5
7.186	19	NC6-P108-19	5-1437664-4
6.811	18	NC6-P108-18	5-1437664-3
DIM A	NO OF POS	CATALOG NUMBER	PART NUMBER

THIS DRAWING IS A CONTROLLED DOCUMENT.		DWN S SCHLEGEL 03JUN03	 TE Connectivity	
DIMENSIONS: INCHES		CHK H WAKEEM 6/3/03		
		APVD H WAKEEM 6/3/03	NAME NC6-P108-XX ASSEMBLY	
TOLERANCES UNLESS OTHERWISE SPECIFIED:		PRODUCT SPEC	RESTRICTED TO	
0 PLC ± -		APPLICATION SPEC	SIZE	CAGE CODE
1 PLC ± -			A3	00779
2 PLC ± .01			DRAWING NO	
3 PLC ± .005			C-3-1437664-0	
4 PLC ± -				
ANGLES ± -		WEIGHT		
MATERIAL			SCALE	
FINISH			NTS	
		CUSTOMER DRAWING		SHEET
				2 OF 2
				REV
				F3

# Mouser Electronics

Authorized Distributor

Click to View Pricing, Inventory, Delivery & Lifecycle Information:

[TE Connectivity:](#)

[NC6-P108-20](#)