

Cable housing - KGG-MC 1,5/ 3 - 1834356

Please be informed that the data shown in this PDF Document is generated from our Online Catalog. Please find the complete data in the user's documentation. Our General Terms of Use for Downloads are valid (<http://phoenixcontact.com/download>)



Cable housing, Pitch: 3.81 mm, Number of positions: 3, Dimension a: 13.82 mm, Color: green

Product Features

- For MC or IMC plugs with and without flange, and 3.81 mm pitch
- Straight cable outlet for sequencing several cable housings
- Incl. transparent label carriers from 6- to 16-pos.
- Incl. cable binders and marker strips for any numbers of positions
- Easier plug-in and disconnection processes
- Strain relief for the cables provided by cable binder or a clamp
- Full latching of both half shells of the cable housing



Key Commercial Data

Packing unit	1 pc
Minimum order quantity	10 pc
GTIN	 4 017918 051877
Weight per Piece (excluding packing)	4.05 g
Custom tariff number	85389099
Country of origin	Poland

Technical data

Dimensions

Pitch	3.81 mm
Dimension a	13.82 mm

General

Cable housing - KGG-MC 1,5/ 3 - 1834356

Technical data

General

Range of articles	KGG-MC 1,5
Insulating material group	I
Insulating material	ABS
Flammability rating according to UL 94	HB
Number of positions	3

Standards and Regulations

Flammability rating according to UL 94	HB
--	----

Classifications

eCl@ss

eCl@ss 4.0	272607xx
eCl@ss 4.1	27260701
eCl@ss 5.0	27260701
eCl@ss 5.1	27260701
eCl@ss 6.0	27260704
eCl@ss 7.0	27449202
eCl@ss 8.0	27440202
eCl@ss 9.0	27440202

ETIM

ETIM 3.0	EC001121
ETIM 4.0	EC000879
ETIM 5.0	EC000437

UNSPSC

UNSPSC 6.01	30211810
UNSPSC 7.0901	39121409
UNSPSC 11	39121409
UNSPSC 12.01	39121409
UNSPSC 13.2	39121409

Approvals

Approvals

Cable housing - KGG-MC 1,5/ 3 - 1834356

Approvals

Approvals

EAC

Ex Approvals

Approvals submitted

Approval details

EAC

Accessories

Accessories

Terminal marking

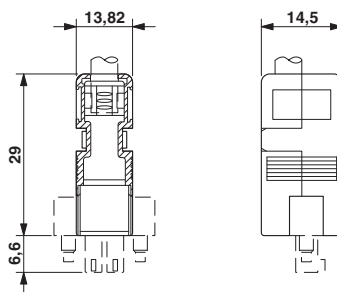
Marker card - SBS10:UNBEDRUCKT - 1007248



Marker card, Card, white, unlabeled, can be labeled with: Plotter, Perforated, Mounting type: Snap into tall marker groove, Snap into flat marker groove, for terminal block width: 10 mm, Lettering field: 6 x 10.1 mm

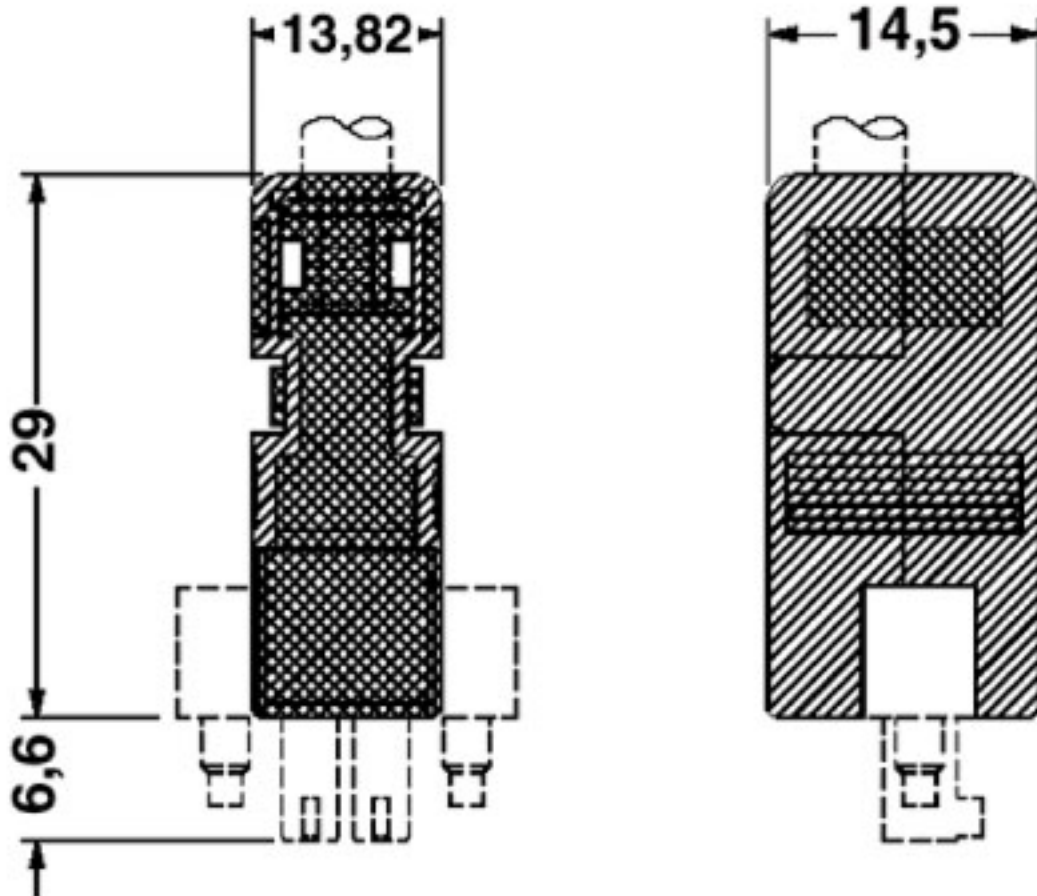
Drawings

Dimensional drawing



Cable housing - KGG-MC 1,5/ 3 - 1834356

Dimensional drawing



Mouser Electronics

Authorized Distributor

Click to View Pricing, Inventory, Delivery & Lifecycle Information:

[Phoenix Contact:](#)

[1834356](#)