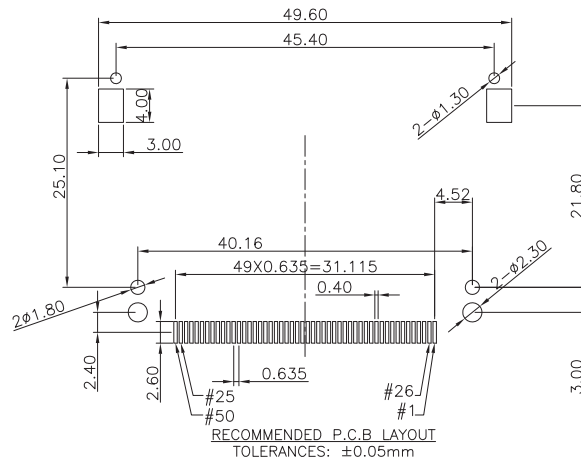
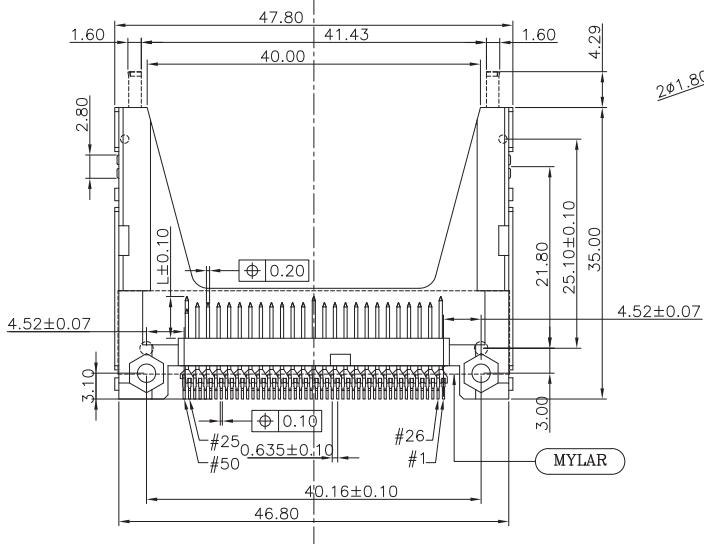
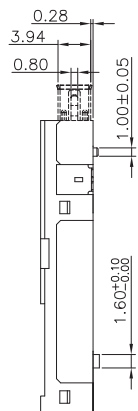
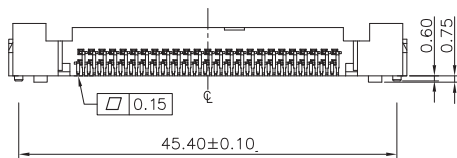
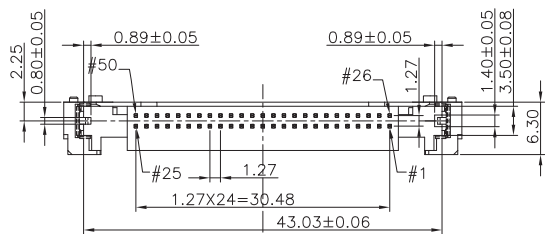




SOLDER POSITION



RECOMMENDED P.C.B LAYOUT  
TOLERANCES: ±0.05mm



Pin type	Interface Dim. L	Pin No.
POWER	5.00mm	1,13,38,50
GENERAL	4.25mm	all other pins
DETECT	3.50mm	25,26

TECHNICAL CHARACTERISTICS

MATERIAL  
INSULATOR: LCP  
FLAMMABILITY RATING: UL94-V0  
COLOR: WHITE  
CONTACT MATERIAL: COPPER ALLOY  
CONTACT TYPE: STAMPED  
CONTACT PLATING: GOLD  
QUALITY CLASS: 5000 MATING CYCLES

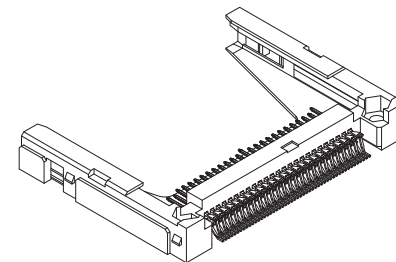
ENVIRONMENTAL  
OPERATING TEMPERATURE: -25°C u p to +85°C  
COMPLIANCE: LEAD FREE AND ROHS

ELECTRICAL  
CURRENT RATING: 0.5A  
WORKING VOLTAGE: 50 VAC  
INSULATOR RESISTANCE: >500 MΩ  
DIELECTRIC WITHSTANDING VOLTAGE: 500 VAC/MIN  
CONTACT RESISTANCE: 50 mΩ MAX

STANDARD  
CERTIFIED: E323964

SOLDERING  
JEDEC LEAD FREE REFLOW SOLDERING

PACKAGING  
TAPE & REEL



RoHS Compliant			
G			
F			
E			
D	24-NOV-15	UL CERTIFICATION	AK
C	05-NOV-14	COLOR + DISCLAIM.	AS
B	17-FEB-12	TKP	GG
A	31-AUG-11	PDF	GG
REV	DATE	FILE	BY

PROJECTION:



GENERAL TOLERANCE

.X = +/\_ 0.2  
.XX = +/\_ 0.15



APPROVAL: NPR

UNIT: MM

SCALE:

SHEET: 1/3

DRAW: AS

DESCRIPTION: Compact Flash Card Connector - Header - 50 pins - WR-CRD

WERI PART NO: 693 120 015 011

SIZE

**A4**

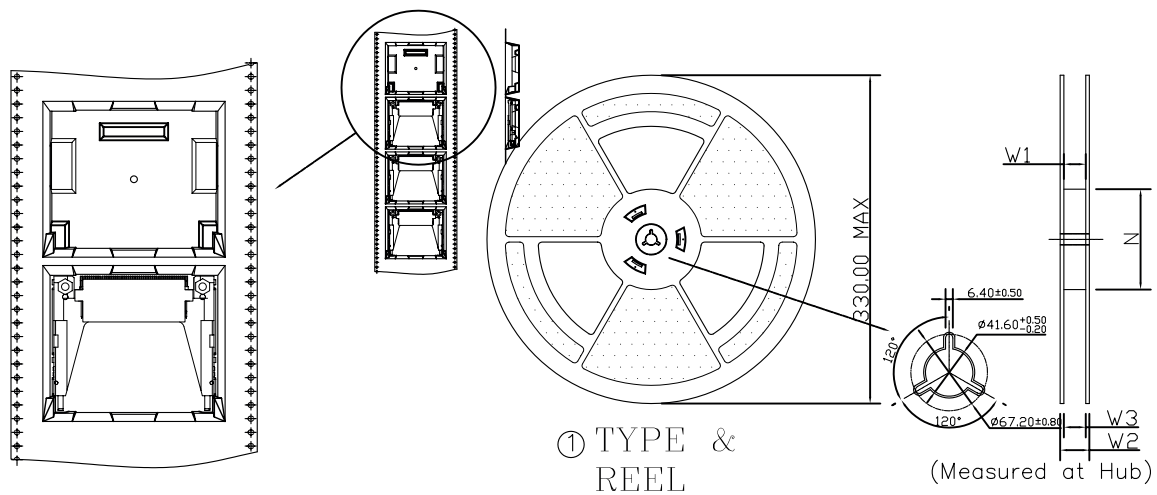
1

2

3

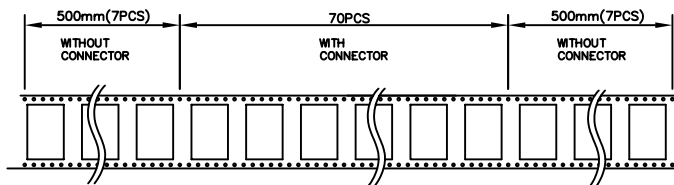
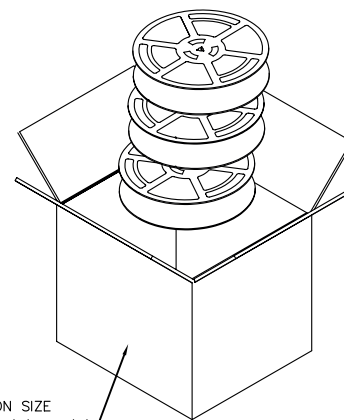
4

5



**NOTES**  
 1. MATERIALS: PS (BLUE)  
 2. PACKING: 70PCS/TYPE & REEL  
 (210PCS/CARTON)

Tape Size	N (Min)	W1 <sup>+2.00</sup> / <sub>-6</sub>	W2(Max)	W3(Max)
72	100	72.4	78.4	75.4



RoHS Compliant			
REV	DATE	FILE	BY

PROJECTION:

APPROVAL: NPR

GENERAL TOLERANCE

.X =  $\pm$  0.2

.XX =  $\pm$  0.15

UNIT: MM

SCALE:

SHEET: 2/3

DRAW: AS

**DESCRIPTION:** Compact Flash Card Connector - Header - 50 pins - WR-CRD

**WERI PART NO:** 693 120 015 011

SIZE  
**A4**

A  
B  
C

1

2

3

4

5

## Cautions and Warnings:

This electronic component is designed and developed with the intention for use in general electronics equipments.

Before incorporating the components into any equipments in the field such as aerospace, aviation, nuclear control, submarine, transportation, (automotive control, train control, ship control), transportation signal, disaster prevention, medical, public information network etc. where higher safety and reliability are especially required or if there is possibility of direct damage or injury to human body, Würth Elektronik must be asked for a written approval.

In addition, even electronic component in general electronic equipments, when used in electrical circuits that require high safety, reliability functions or performance, the sufficient reliability evaluation-check for the safety must be performed before by the user before usage.

A

B

C

RoHS Compliant

G				PROJECTION: 	GENERAL TOLERANCE .X = +/- 0.2 .XX = +/- 0.15		
F							
E							
D							
C				APPROVAL: JC	UNIT: MM	DESCRIPTION: DISCLAIMER	SIZE <b>A4</b>
B					SCALE:		
A	10-SEP-14	PDF	QL		SHEET: 3/3	WERI PART NO: DISCLAIMER	
REV	DATE	FILE	BY		DRAW: QL		

D

# Mouser Electronics

Authorized Distributor

Click to View Pricing, Inventory, Delivery & Lifecycle Information:

[Wurth Electronics:](#)

[693120015011](#)