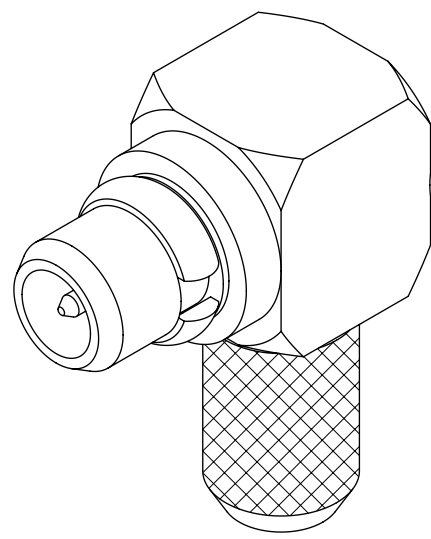
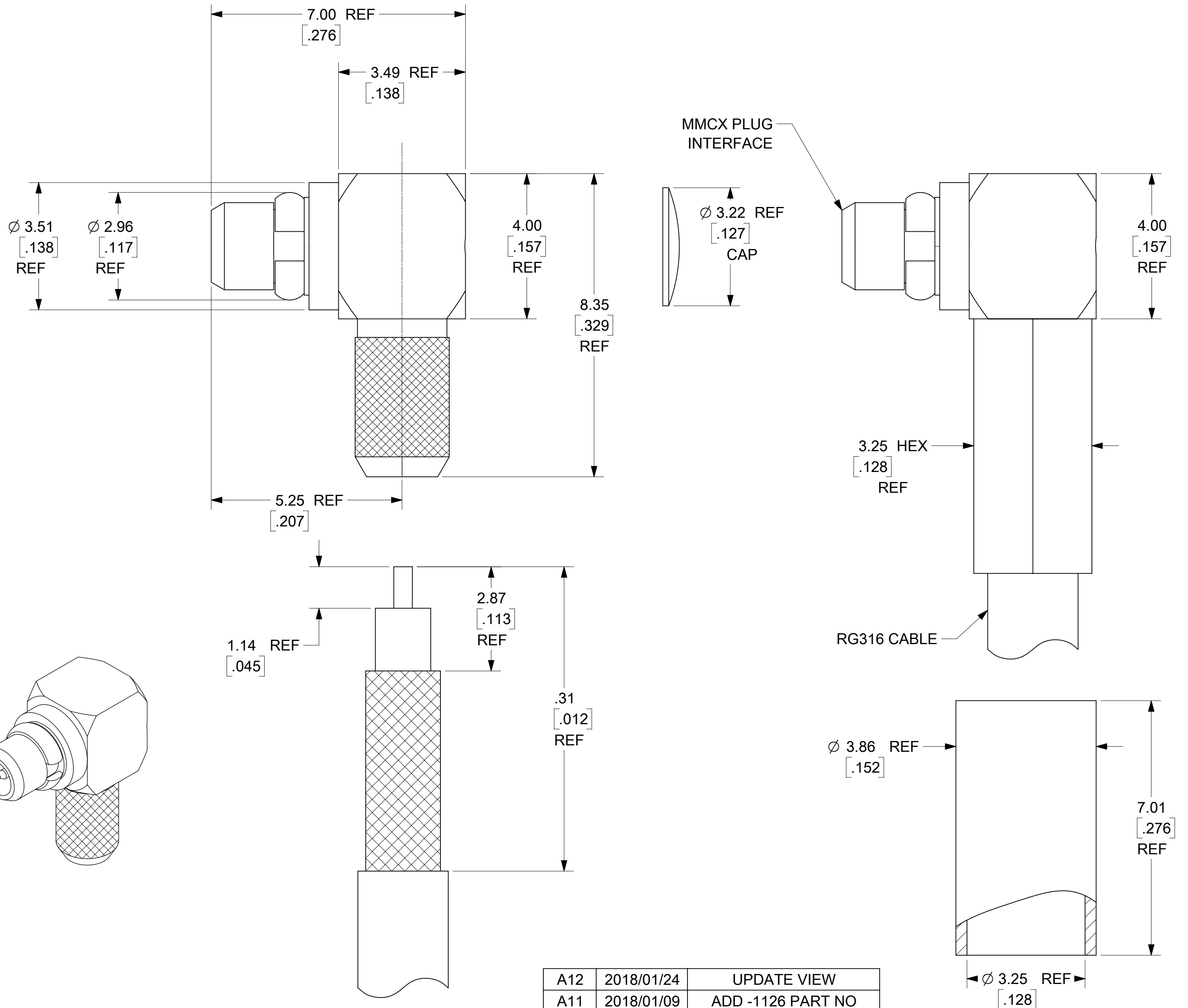
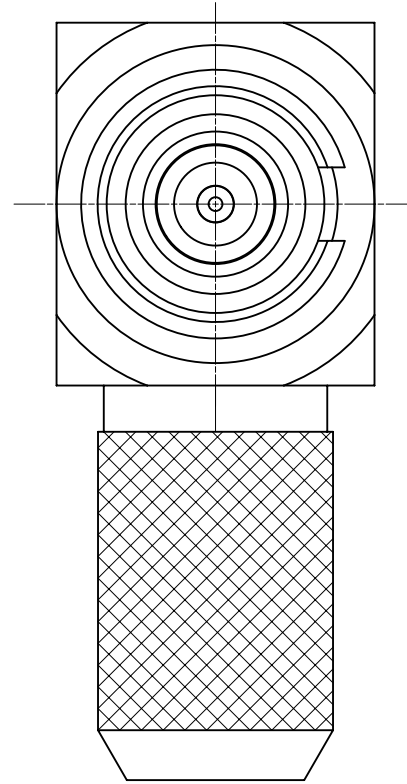


MATERIALS AND FINISHES:

BODY, CONTACT ,CAP, CRIMP TUBE: BRASS
FINISH: GOLD OVER NICKEL(SEE TABLE)

SNAP RING: BERYLLIUM COPPER
FINISH: GOLD OVER NICKEL(SEE TABLE)

INSULATOR: PTFE



CABLE STRIP DIMENSIONS

AS-89675-5070	CABLE ASSY INSTRUCTION
IEC-61169-52	INTERFACE
PS-89675-1920	ELECTRICAL/MECHANICAL
SPECIFICATION	DESCRIPTION

73415-1126	COMMERCIAL	BULK (BY BAG)
73415-1125	COMMERCIAL	BULK (BY BAG)
73415-1124	COMMERCIAL	BULK (BY TRAY)
73415-1123	COMMERCIAL	BULK (BY BAG)
73415-1122	COMMERCIAL	ONE PER BAG
73415-1121	COMMERCIAL	BULK (BY BAG)
73415-1120	MILITARY	BULK (BY BAG)
PART NO.	PLATING	PACKAGING

73415-1126	1 OVER 50	5 OVER 50	1 OVER 50	1 OVER 50	1 OVER 50
73415-1125	1 OVER 50	1 OVER 50	1 OVER 50	1 OVER 50	1 OVER 50
73415-1124	1 OVER 50	10 OVER 70	1 OVER 50	1 OVER 50	1 OVER 50
73415-1123	8 OVER 80	30 OVER 50	30 OVER 100	10 OVER 100	8 OVER 80
73415-1122	1 OVER 50	30 OVER 50	1 OVER 50	1 OVER 50	1 OVER 50
73415-1121	1 OVER 50	30 OVER 50	1 OVER 50	1 OVER 50	1 OVER 50
73415-1120	30 OVER 100	50 OVER 100	30 OVER 50	50 OVER 100	30 OVER NA
PART NO.	BODY (μ-in MIN)	CONTACT (μ-in MIN)	SNAP RING (μ-in MIN)	CAP (μ-in MIN)	CRIMP TUBE (μ-in MIN)
PLATING (GOLD OVER NICKEL)					

RELEASE STATUS	P1	RELEASE DATE	2018/01/30	07:29:18
----------------	----	--------------	------------	----------

A12	2018/01/24	UPDATE VIEW
A11	2018/01/09	ADD -1126 PART NO
REV	DATE	DESCRIPTION

THIS DRAWING CONTAINS INFORMATION THAT IS PROPRIETARY TO MOLEX ELECTRONIC TECHNOLOGIES, LLC AND SHOULD NOT BE USED WITHOUT WRITTEN PERMISSION

PDR17112496 EC NO: 171301 DRWN: JSU18 CHKD: YCHENG REV APPR: YCHENG	GENERAL TOLERANCES (UNLESS SPECIFIED)		DIMENSION UNITS	SCALE	
			mm		
			DRWN BY	DATE	
			CHK'D BY	DATE	
		4 PLACES ±	±	RFC_PLMIMP	2017/12/28
		3 PLACES ±	± 0.01	SSH AH	2005/12/22
		2 PLACES ±	± 0.25	APP R BY	DATE
		1 PLACES ±	±	JWIENER	2005/12/22
		0 PLACES ±	±	ANGULAR TOL = 2.0	
		DRAFT WHERE APPLICABLE MUST REMAIN WITHIN DIMENSIONS		DRAWING SIZE	THIRD ANGLE PROJECTION
				C	
				SERIES	MATERIAL NUMBER
				73415	SEE TABLE
				CUSTOMER	
				DOCUMENT NUMBER	DOC TYPE
				SD-73415-112	PSD
				DOC PART	SHEET NUMBER
				001	1 OF 1