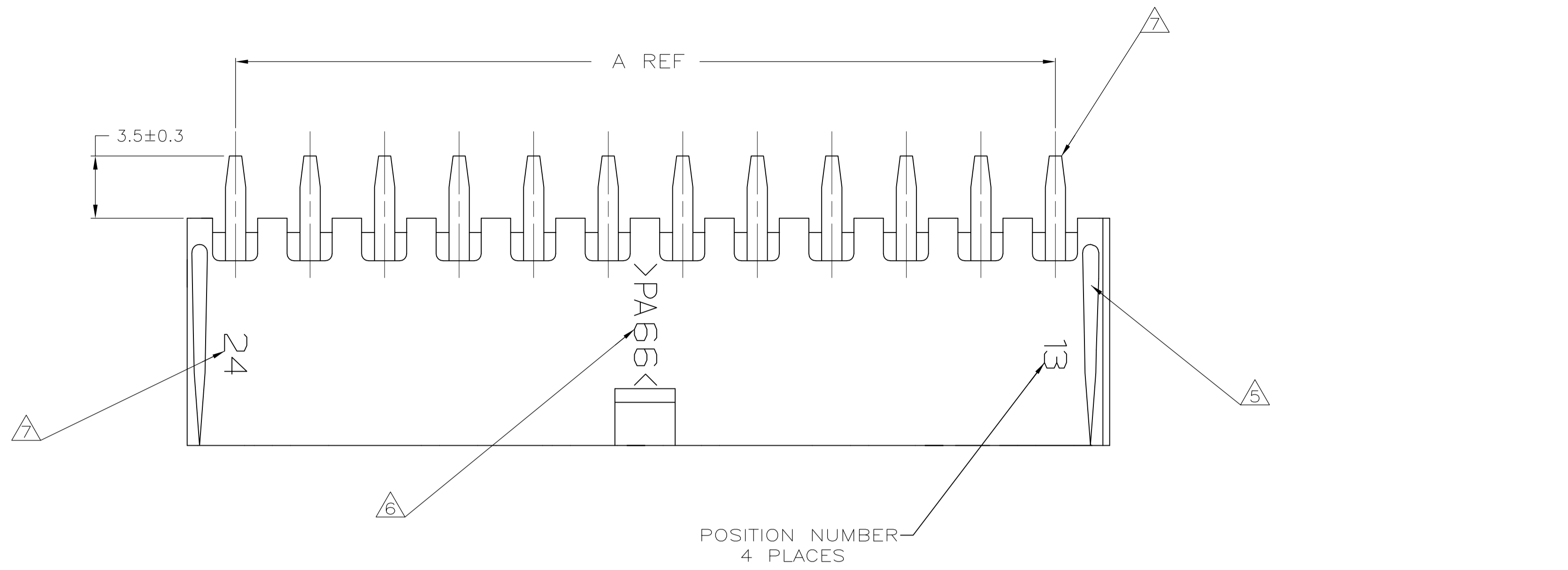
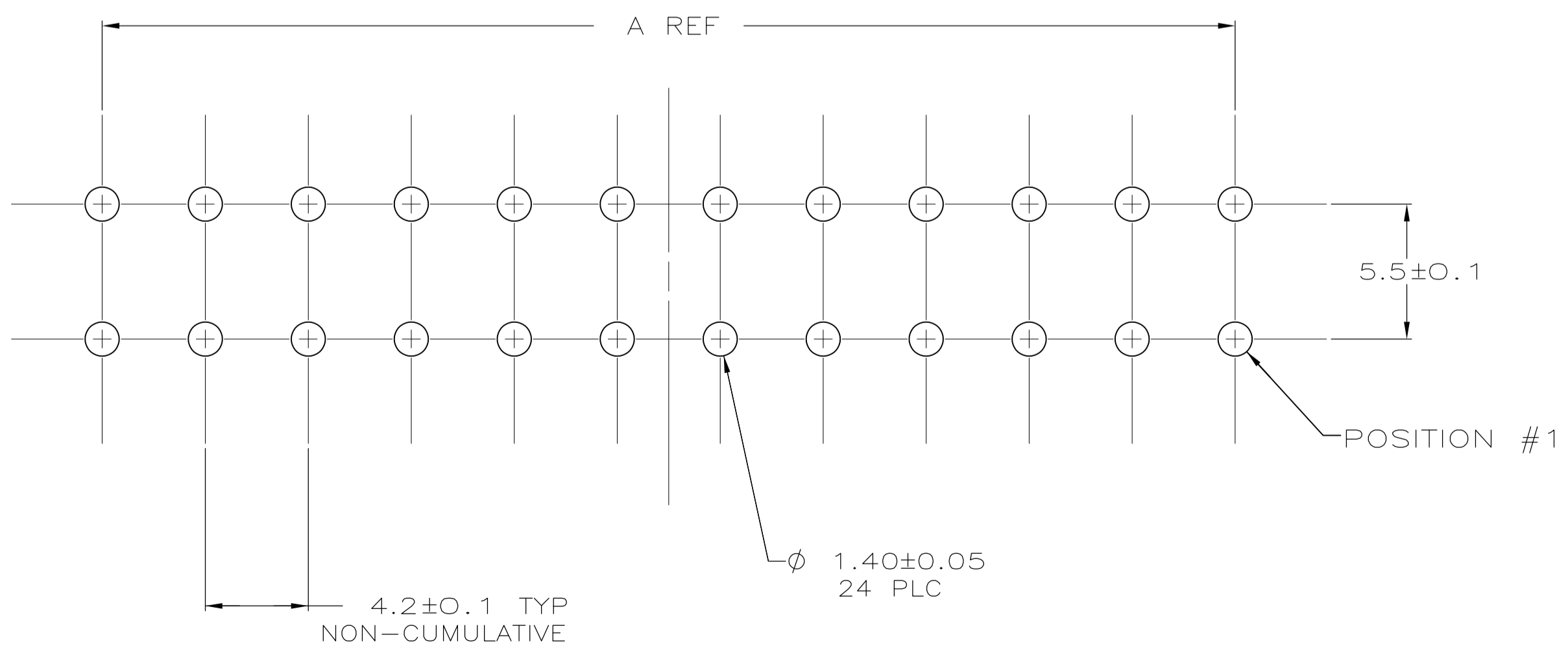
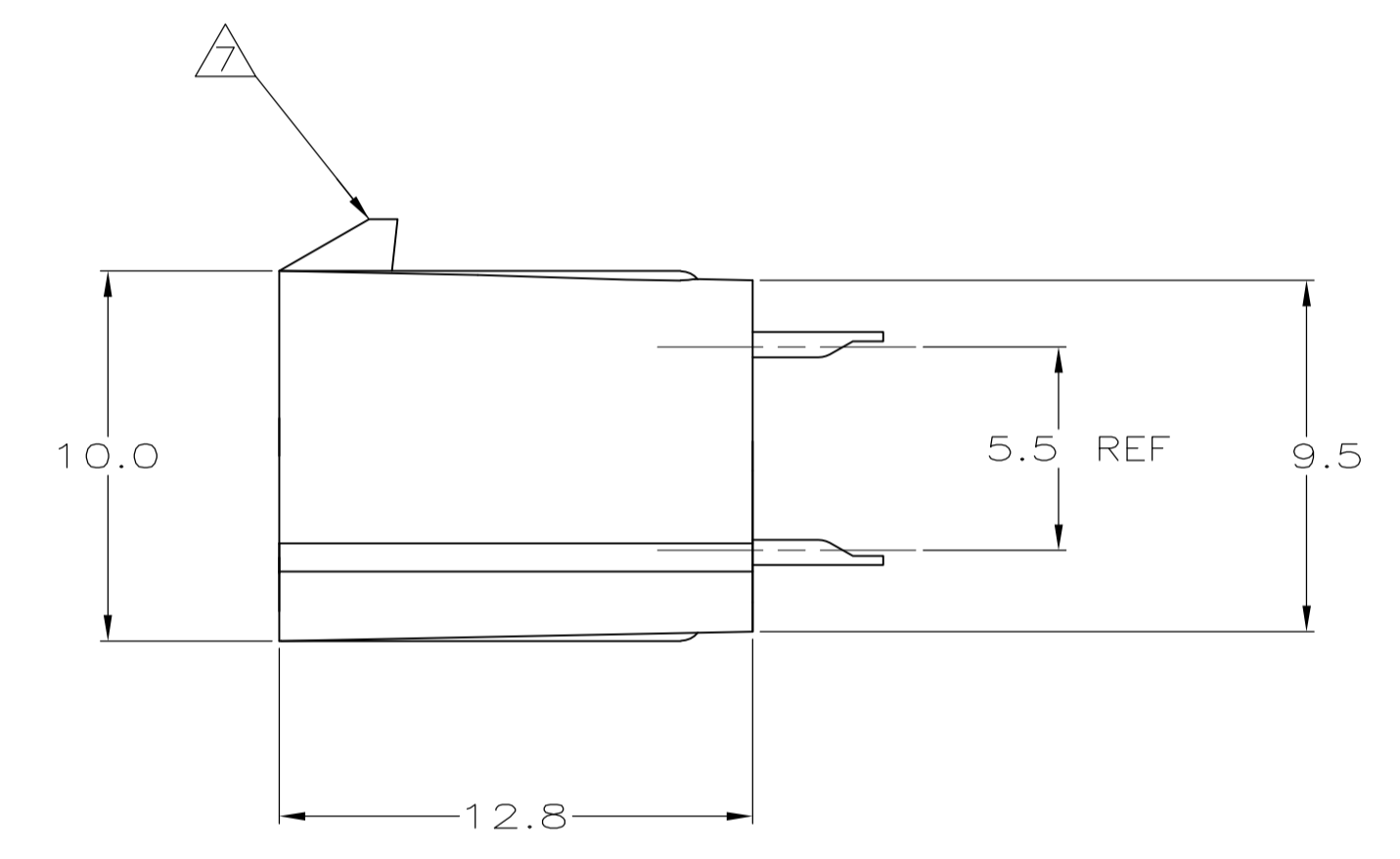
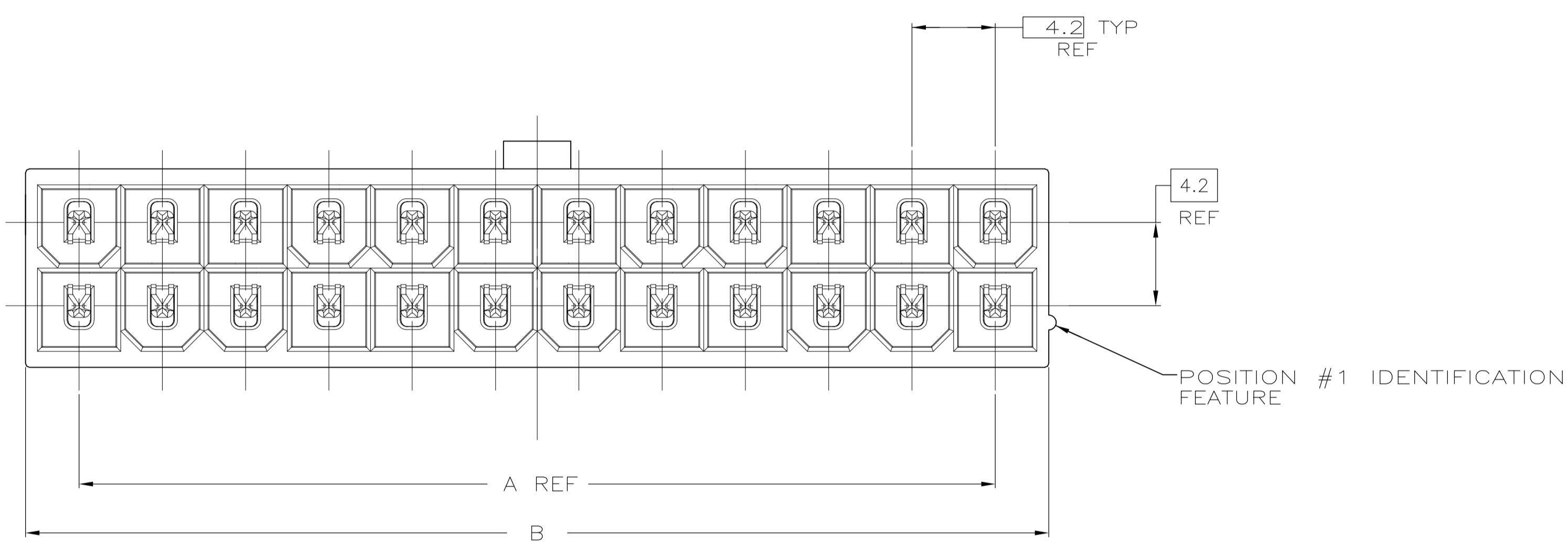


| LOC | | DIST | | REVISIONS | | | |
|-----|-----|---------------------------|---------|-----------|------|--|--|
| P | LTR | DESCRIPTION | DATE | DNW | APVD | | |
| P | | REVISED PER ECO-11-005027 | 11MAR11 | RK | HMR | | |



- △ MATERIAL: HOUSING - NYLON, UL94V-2 (COLOR - NATURAL, COLOR OF PARTS MAY VARY).
CONTACTS - 0.25 THK COPPER ALLOY.
- △ CONTACT FINISH: 0.003 MIN THK TIN OVER 0.00127 MIN THK NICKEL OVER ENTIRE CONTACT.
- 3. SOLDER TAIL MEETS AMP SOLDERABILITY SPECIFICATION 109-11-2.
- 4. MATES WITH SIMILARLY PLATED AMP-DUAC™ POWER CONNECTOR RECEPTACLE HOUSINGS/SOCKET CONTACTS.
- △ RIBS ON FOUR CORNERS OPTIONAL.
- △ AMP LOGO AND MATERIAL ID MAY BE LOCATED ON EITHER LONG SIDE OF PART.
- △ SIZE, SHAPE OR STYLE OF THIS FEATURE MAY VARY.

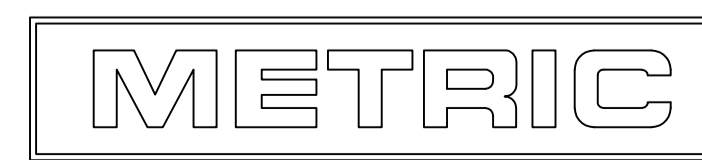


RECOMMENDED MOUNTING HOLE PATTERN FOR 1.78 MAX THICK P.C. BOARD COMPONENT SIDE SHOWN

| 51.6 | 46.2 | 24 | 2-1586491-4 |
|------|------|------------------|-------------|
| 47.4 | 42.0 | 22 | 2-1586491-2 |
| 43.2 | 37.8 | 20 | 2-1586491-0 |
| 39.0 | 33.6 | 18 | 1-1586491-8 |
| 34.8 | 29.4 | 16 | 1-1586491-6 |
| 30.6 | 25.2 | 14 | 1-1586491-4 |
| 26.4 | 21.0 | 12 | 1-1586491-2 |
| 22.2 | 16.8 | 10 | 1-1586491-0 |
| 18.0 | 12.6 | 8 | 1586491-8 |
| 13.8 | 8.4 | 6 | 1586491-6 |
| 9.6 | 4.2 | 4 | 1586491-4 |
| 5.4 | 0.0 | 2 | 1586491-2 |
| B | A | NO. OF POSITIONS | PART NO |

THIS DRAWING IS A CONTROLLED DOCUMENT.

| | | | | | |
|----------------|--|--|-------------------------|--------------------------|-----------------|
| DIMENSIONS: mm | TOLERANCES UNLESS OTHERWISE SPECIFIED: | DIN K. WHITAKER 20JUNE2005 | CHK D. COLEY 20JUNE2005 | APVD D. COLEY 20JUNE2005 | NAME |
| 0 PLC ± - | 1 PLC ± 0.2 | STE | | | TE Connectivity |
| 2 PLC ± 0.13 | 3 PLC ± - | ASSEMBLY, HEADER, VERTICAL, TIN PLATED, W/O PEGS, W/O DRAIN HOLES, 94V-2, AMP-DUAC | | | |
| 4 PLC ± - | ANGLES ± ± 0°30' | PRODUCT SPEC 108-1699 | APPLICATION SPEC | SIZE A1 | CAGE CODE 00779 |
| MATERIAL 1 | FINISH 2 | WEIGHT | SCALE 5:1 | DRAWING NO. 1586491 | RESTRICTED TO |
| | | CUSTOMER DRAWING | SHEET 1 OF 1 | REV P | |



Mouser Electronics

Authorized Distributor

Click to View Pricing, Inventory, Delivery & Lifecycle Information:

[TE Connectivity:](#)

[1-1586491-8](#)