

4

3

2

1

THIS DRAWING IS UNPUBLISHED.

RELEASED FOR PUBLICATION

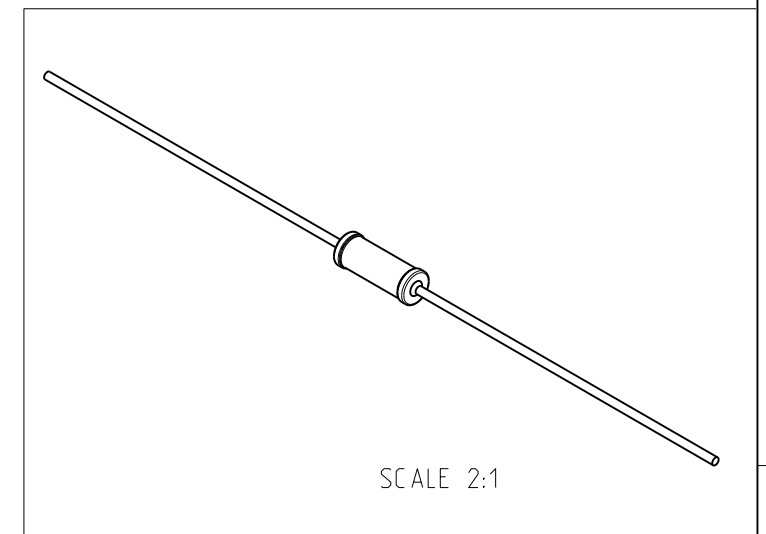
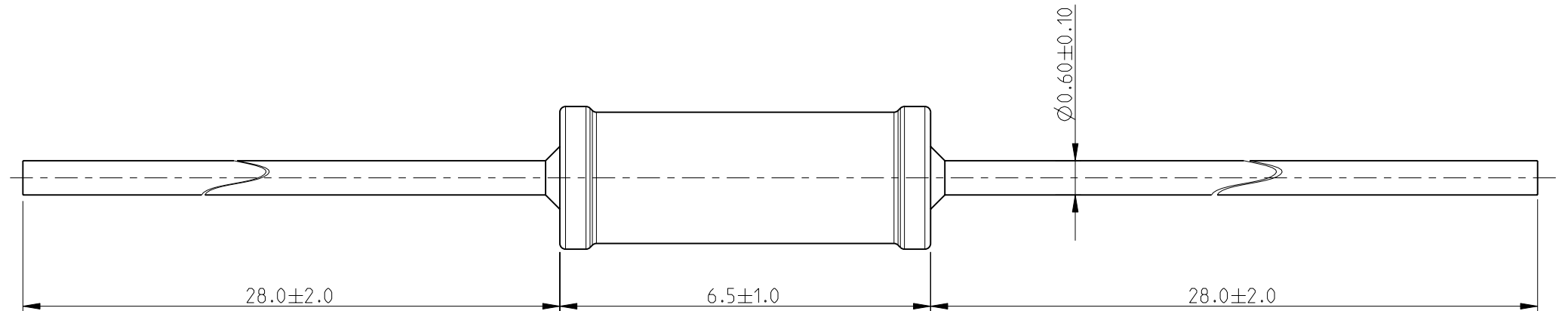
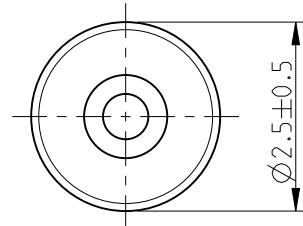
2008


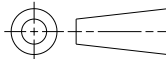
© COPYRIGHT 2008

ALL RIGHTS RESERVED.

LOC	DIST	REVISIONS			
P	LTR	DESCRIPTION	DATE	DWN	APVD
	BA1	REVISED PER ECO-11-005150	29MAR2011	RK	HMR

FOR FURTHER INFORMATION SEE DATA SHEET FOR SERIES RGP- METAL GLAZE FIXED RESISTORS



THIS DRAWING IS A CONTROLLED DOCUMENT.		DWN	SUBHASH.M 22-DEC-08		 TE Connectivity		
DIMENSIONS: mm		CHK	PRAKASH.S 22-DEC-08				
		APVD	STEPHEN.P 22-DEC-08				
TOLERANCES UNLESS OTHERWISE SPECIFIED: 0 PLC ± 0.2 1 PLC ± 0.1 2 PLC ± - 3 PLC ± - 4 PLC ± - ANGLES ± 5°		PRODUCT SPEC	-				
MATERIAL	-	FINISH	-		NAME	METAL GLAZE FIXED RESISTORS STYLE RGP0207CH	
-		WEIGHT	-		SIZE	A3	RESTRICTED TO
-		CUSTOMER DRAWING		SCALE	10:1	CAGE CODE	00779
-		-		DRAWING NO	G= 1623708		SHEET 1 OF 1
-		-		REV		BA1	

Mouser Electronics

Authorized Distributor

Click to View Pricing, Inventory, Delivery & Lifecycle Information:

[TE Connectivity:](#)

[RGP0207CHJ470M](#)