

4

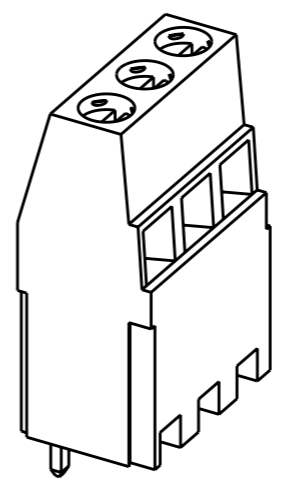
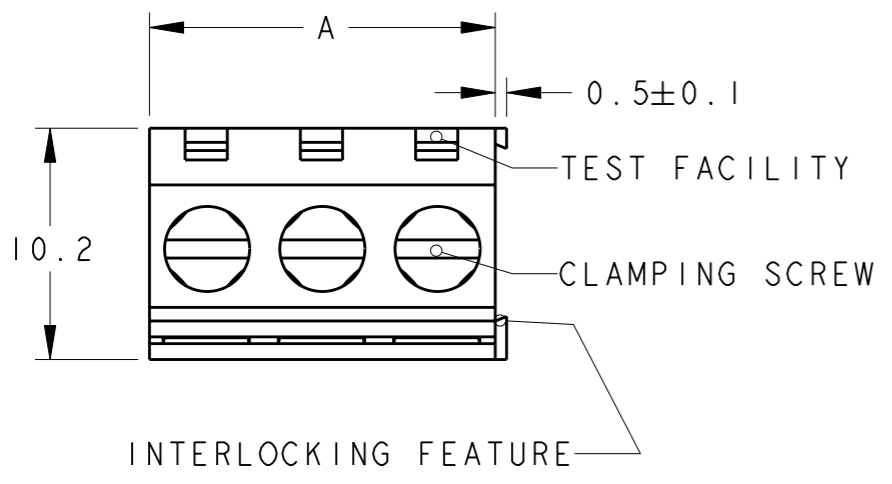
3

2

1

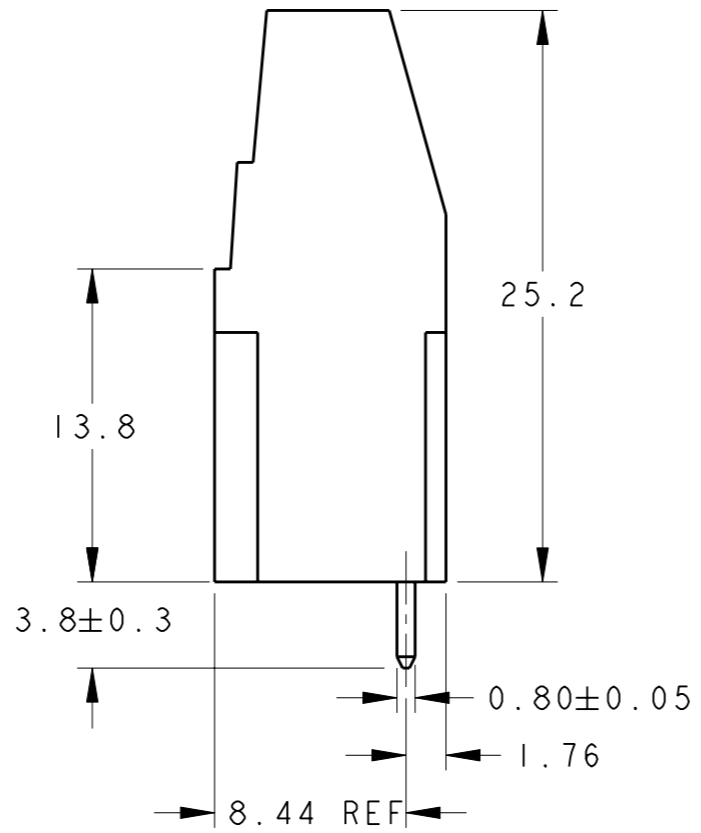
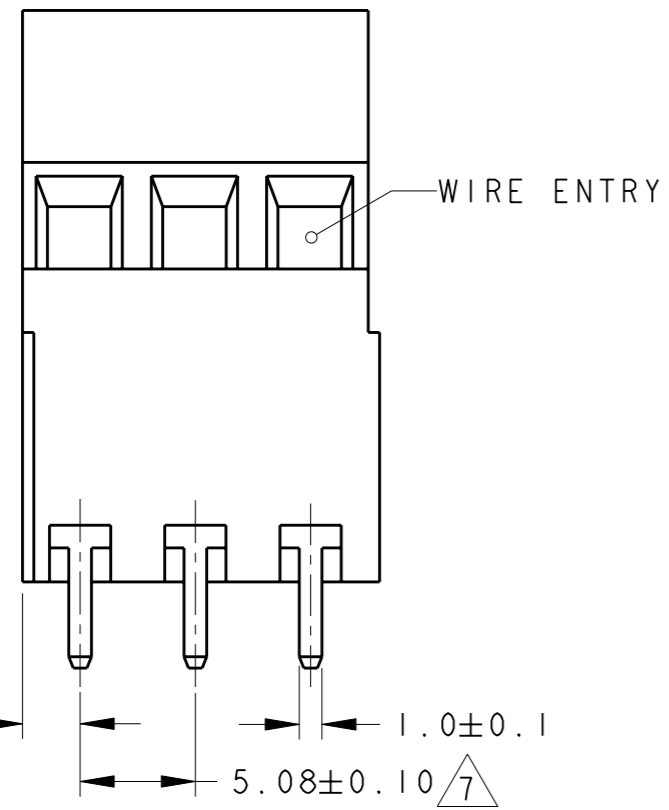
THIS DRAWING IS UNPUBLISHED. RELEASED FOR PUBLICATION 20
 © COPYRIGHT 20 ALL RIGHTS RESERVED.

LOC	DIST	REVISIONS			
P	LTR	DESCRIPTION	DATE	DWN	APVD
		C5	REVISED PER ECO-11-013482	30JUN2011	HMR CR



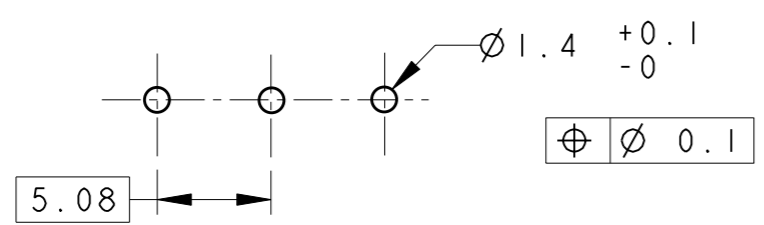
282901-3 AS SHOWN
SCALE 2:1

- 1 MATERIALS AND FINISH
HOUSING: PA 6-6, UL 94-V0, COLOR: SEE TABLE.
CLAMP: BRASS, NICKEL PLATED.
TERMINAL: BRASS, TIN PLATED.
CLAMPING SCREW: M3, BRASS, NICKEL PLATED.
- 2 SUITABLE FOR 1,6-2,4mm PC BOARD THICKNESS.
- 3 END-TO-END STACKABLE W/INTERLOCK WITHOUT LOSS OF CENTERLINE SPACING.
- 4 WIRE SIZE RANGE
12 - 30 AWG
- 5 RECOGNIZED UNDER THE COMPONENT PROGRAM OF UNDERWRITERS LABORATORIES INC., FILE N° E60677.
- 6 IMQ CERTIFICATE WITH SURVEILLANCE IN CONFORMITY WITH IEC 998-1/998-2-1.
- 7 NOT CUMULATIVE TOLERANCE.
- 8 INK MARKING BLACK COLOR, SEE DETAIL FOR MARKING.
- 9 PRELIMINARY PART NUMBER
- 10 SECTION GLUED USING CYANOLIT 241F OR TE ENGINEERING APPROVED EQUIVALENT.



		COLOR	DIMA	N° OF POS.	PART NUMBER	
9	-	BLACK	121.92	24	2-282901-4	
9	8	SEE DETAIL F	GREEN	76.20	15	2-282901-3
9	8	SEE DETAIL E	GREEN	60.96	12	2-282901-2
8	SEE DETAIL D	GREEN	106.68	21	2-282901-1	
8	SEE DETAIL C	GREEN	76.20	15	2-282901-5	
9	-	BLACK	91.44	18	1-282901-8	
10	8	SEE DETAIL B	GREEN	60.96	12	1-282901-2
		GREEN	15.24	3	282901-3	
		GREEN	10.16	2	282901-2	

RECOMMENDED PC BOARD LAYOUT



THIS DRAWING IS A CONTROLLED DOCUMENT.	
DIMENSIONS: mm	TOLERANCES UNLESS OTHERWISE SPECIFIED:
	0 PLC ±.3
	1 PLC ±.25
	2 PLC ±.
	3 PLC ±.
	4 PLC ±.
	ANGLES ±2
MATERIAL	FINISH

DWN	07NOV2001
E. ZANOLINI	
CHK	07NOV2001
D. BIEVENOUR	
APVD	07NOV2001
D. BIEVENOUR	
PRODUCT SPEC	108-20166
APPLICATION SPEC	114-20079
WEIGHT	-
CUSTOMER DRAWING	

STE TE Connectivity

NAME: TERMINAL BLOCK, PCB MOUNT
2ND LEVEL
STACKING W/INTERLOCK, 5.08mm. PITCH

SIZE	CAGE CODE	DRAWING NO	RESTRICTED TO
A3	00779	C-282901	-

SCALE: 1:1 SHEET 1 OF 2 REV C5

THIS DRAWING IS UNPUBLISHED.

RELEASED FOR PUBLICATION

20

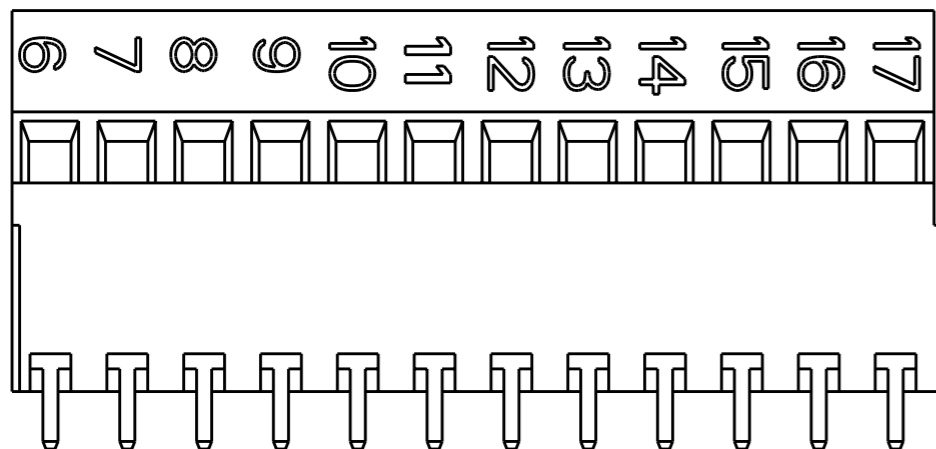
© COPYRIGHT 20

ALL RIGHTS RESERVED.

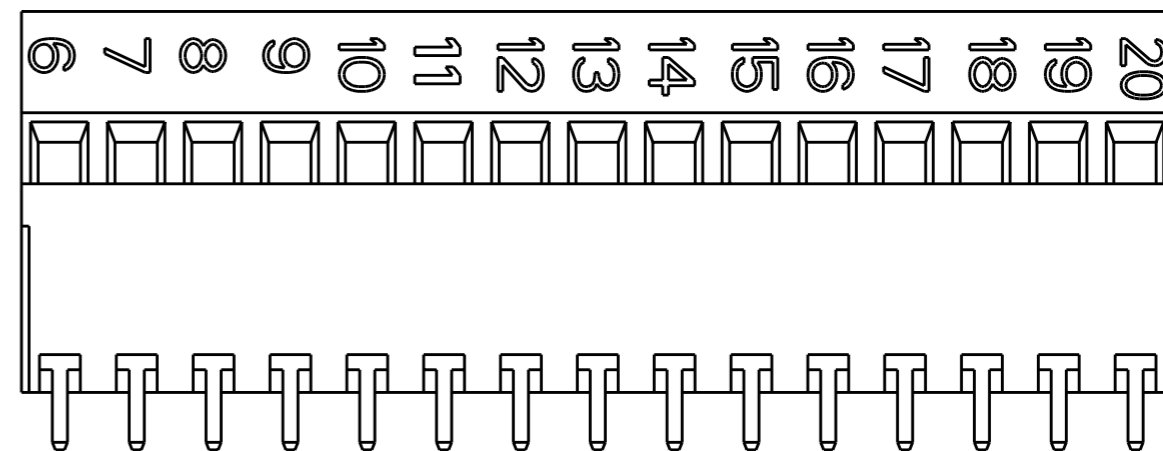
LOC FT DIST 0

REVISIONS

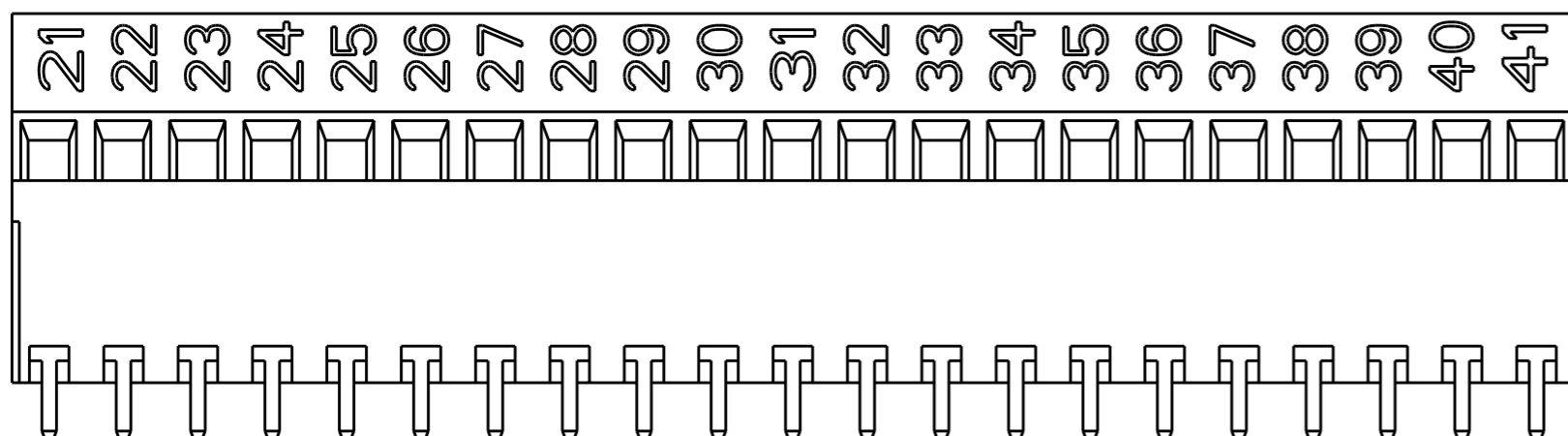
P	LTR	DESCRIPTION	DATE	DWN	APVD
-		SEE SHEET 1	-	-	-



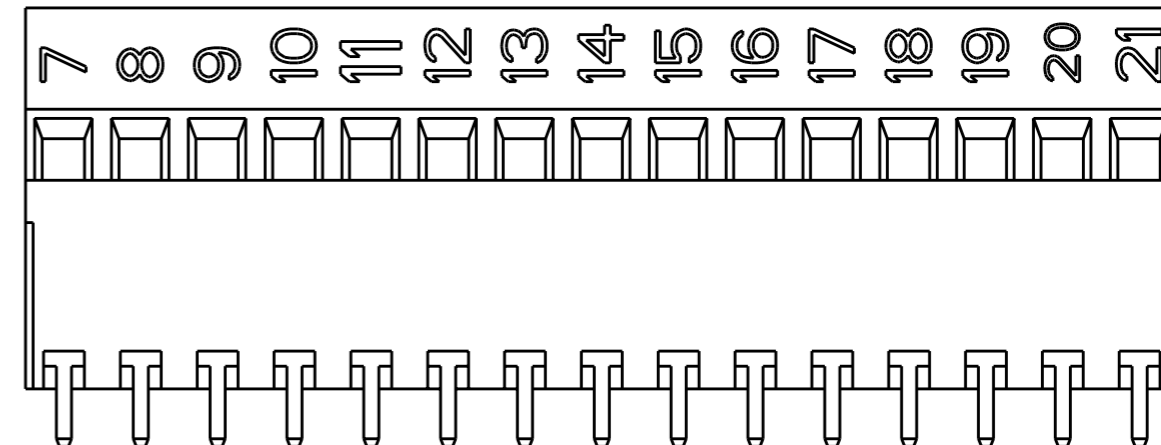
DETAIL B
SCALE 2:1



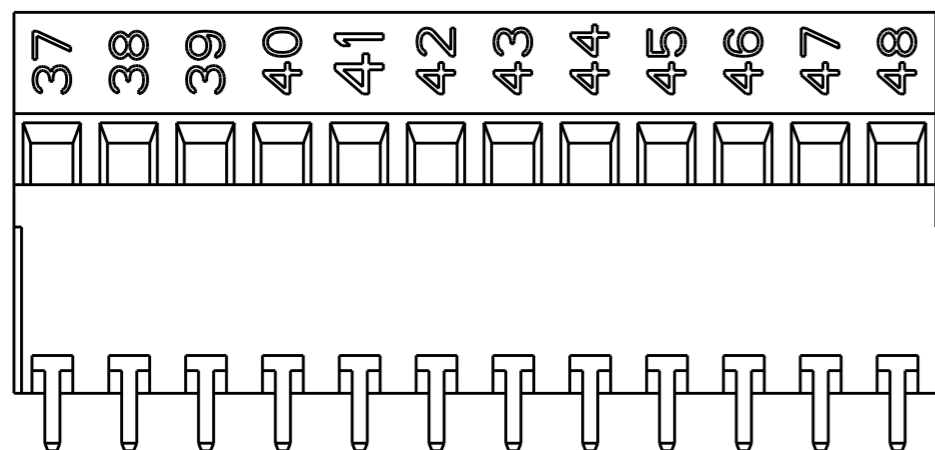
DETAIL C
SCALE 2:1



DETAIL D
SCALE 2:1



DETAIL F
SCALE 2:1

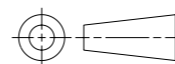


DETAIL E
SCALE 2:1

THIS DRAWING IS A CONTROLLED DOCUMENT.

DIMENSIONS:

mm



TOLERANCES UNLESS OTHERWISE SPECIFIED:

- 0 PLC ±.
- 1 PLC ±.3
- 2 PLC ±.25
- 3 PLC ±.
- 4 PLC ±.
- ANGLES ±2

MATERIAL -

FINISH -

DWN 07NOV2001

E. ZANOLINI

CHK 07NOV2001

D. BIEVENOUR

APVD 07NOV2001

D. BIEVENOUR

PRODUCT SPEC 108-20166

APPLICATION SPEC 114-20079

WEIGHT -

CUSTOMER DRAWING



TE Connectivity

NAME
 TERMINAL BLOCK, PCB MOUNT
 2ND LEVEL
 STACKING W/INTERLOCK, 5.08mm. PITCH

SIZE	CAGE CODE	DRAWING NO	RESTRICTED TO
------	-----------	------------	---------------

A3	00779	C-282901	-
----	-------	----------	---

SCALE	SHEET	OF	REV
1:1	2	2	C5

Mouser Electronics

Authorized Distributor

Click to View Pricing, Inventory, Delivery & Lifecycle Information:

[TE Connectivity:](#)

[282901-3](#)