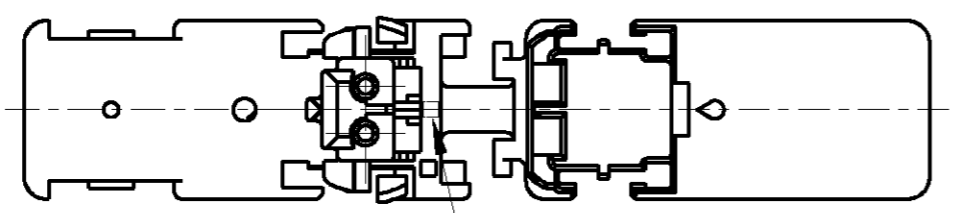
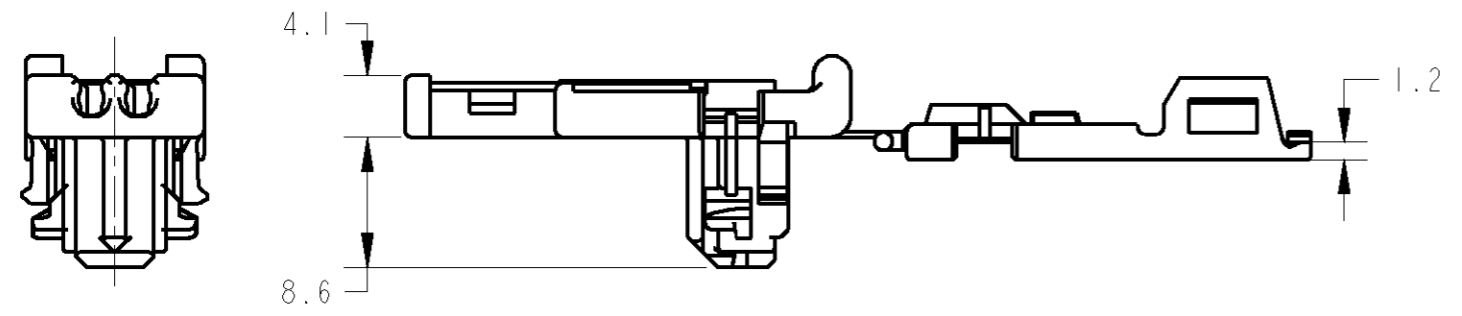
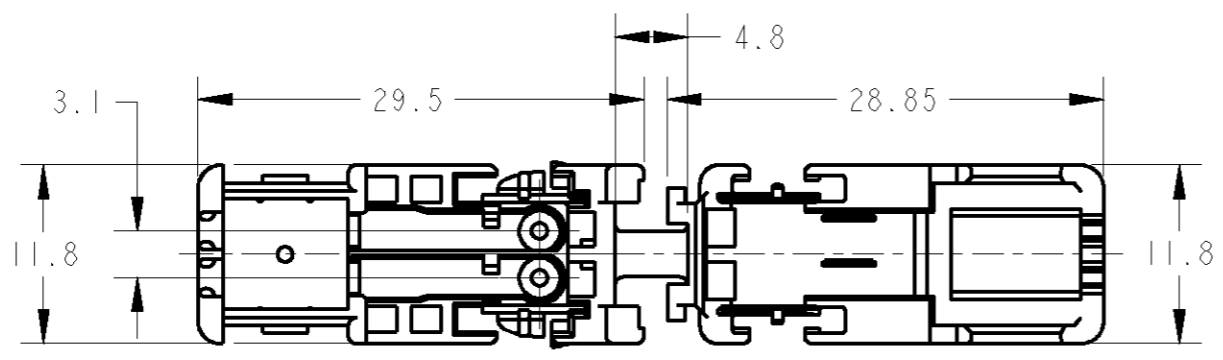
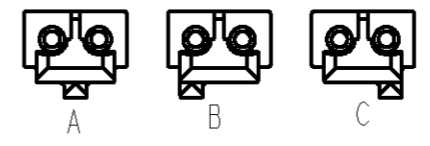


THIS DRAWING IS UNPUBLISHED. RELEASED FOR PUBLICATION 20
 © COPYRIGHT 20 BY TYCO ELECTRONICS CORPORATION. ALL RIGHTS RESERVED.

LOC	DIST	REVISIONS						
		P	LTR	DESCRIPTION	ECN	DATE	DWN	APVD
J	-		O	RELEASED	FJ00-0784-02	15APR02	ES	NS
			A	REVISED	FJA0-0420-04	05JUL04	A.O	H.Y
			B	REVISED	ECR-10-007856	13APR10	TS	KB



1. APPLICABLE TERMINAL P/N: 353376 (WIRE RANGE: AVSS, CAVS 0.3~0.5mm²)
APPLICABLE FERRITE P/N: 353379
 2. THIS PRODUCT SHOULD BE USED WITH THE IIDIA SQUIB CONNECTOR SLIM TYPE LOCKING BUTTON (P/N: 1612119).
 3. MATING SHORT-CIRCUIT RING PART NUMBER: 699638, 1376766, 1473369
 4. ABOUT THE FORM OF INTERFACE, SEE THE DRAWING OF SHORT-CIRCUIT RING.
 5. INSTRUCTION SHEET: 411-78040.
1. 適用端子P/N: 353376 (AVSS, CAVS 0.3~0.5mm²)
適用フェライトP/N: 353379
 2. 本製品は、IIDIA SQUIB CONNECTOR SLIM TYPE LOCKING BUTTON (P/N: 1612119) を装着して使用する。
 3. 本製品が適応するショートサーキットリング品番は、699638, 1376766, 1473369
 4. 嵌合相手形状は、ショートサーキットリング図面を参照のこと。
 5. 取扱説明書: 411-78040



RIB POSITION

C	ORANGE	1612120-3
B	YELLOW	1612120-2
A	YELLOW	1612120-1
RIB POSITION	COLOR	PART NUMBER

<small>THIS DRAWING IS A CONTROLLED DOCUMENT FOR TYCO ELECTRONICS CORPORATION. IT IS SUBJECT TO CHANGE AND THE CONTROLLING ENGINEERING ORGANIZATION SHOULD BE CONTACTED FOR THE LATEST REVISION.</small>		DWN E. SASAKI 15APR02 CHK T. KOHNO 15APR02 APVD N. SAI 15APR02		Tyco Electronics Corporation Kawasaki, Japan	
DIMENSIONS: 単位: 概 mm		TOLERANCES UNLESS OTHERWISE SPECIFIED: ±0.2 0-PLC ± 1-PLC ±0.1 2-PLC ±0.01 3-PLC ±0.001 4-PLC ±0.0001 ANGLES ±1.00°		NAME 名称 IIDIA SQUIB CONNECTOR SLIM TYPE MK-II PRODUCT SPEC 製品規格 108-5818 APPLICATION SPEC 取付適用規格 114-5234	
MATERIAL 材料 PBT		FINISH 仕上 SEE TABLE		WEIGHT 1.6 g SIZE A3 CAGE CODE 00779 DRAWING NO. 番号 C=1612120	
CUSTOMER DRAWING				SCALE 尺度 3:1 SHEET 1 OF 1 REV B	

Mouser Electronics

Authorized Distributor

Click to View Pricing, Inventory, Delivery & Lifecycle Information:

[TE Connectivity:](#)

[1612120-3](#)