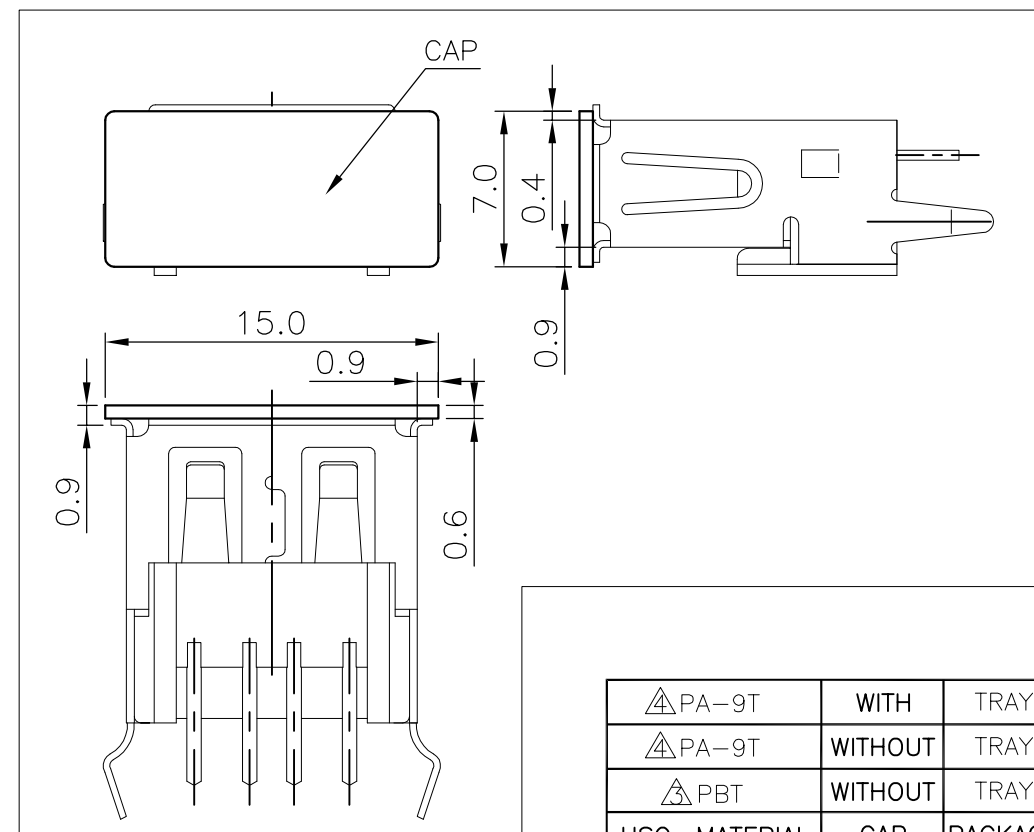
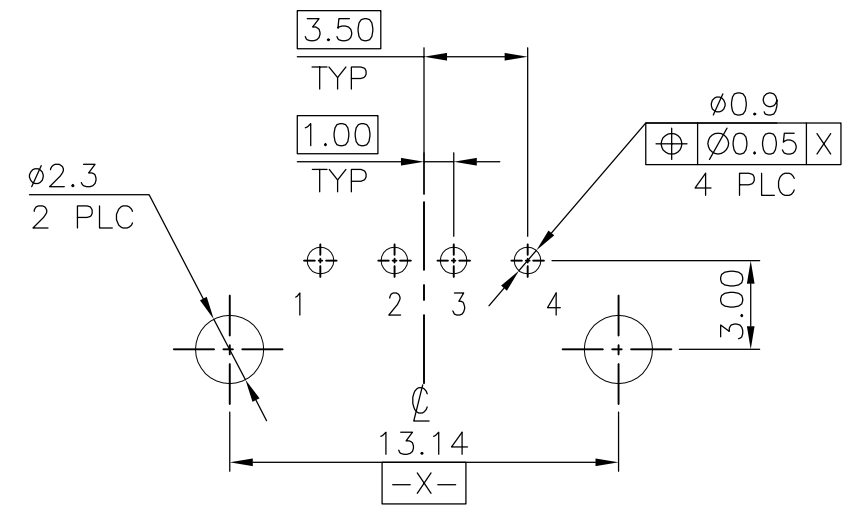
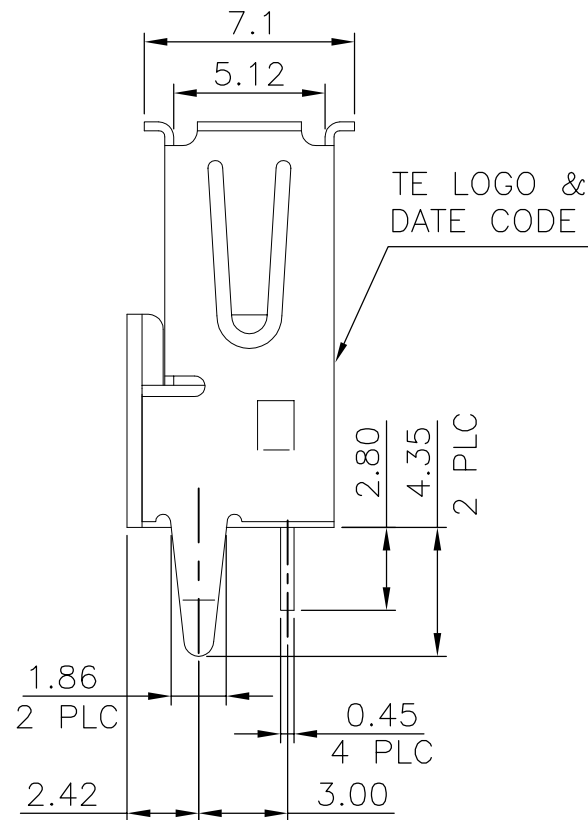
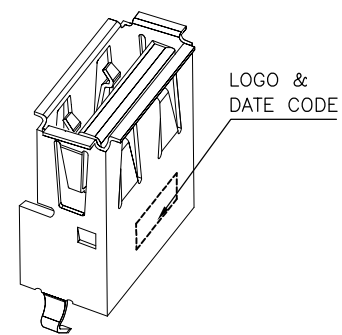
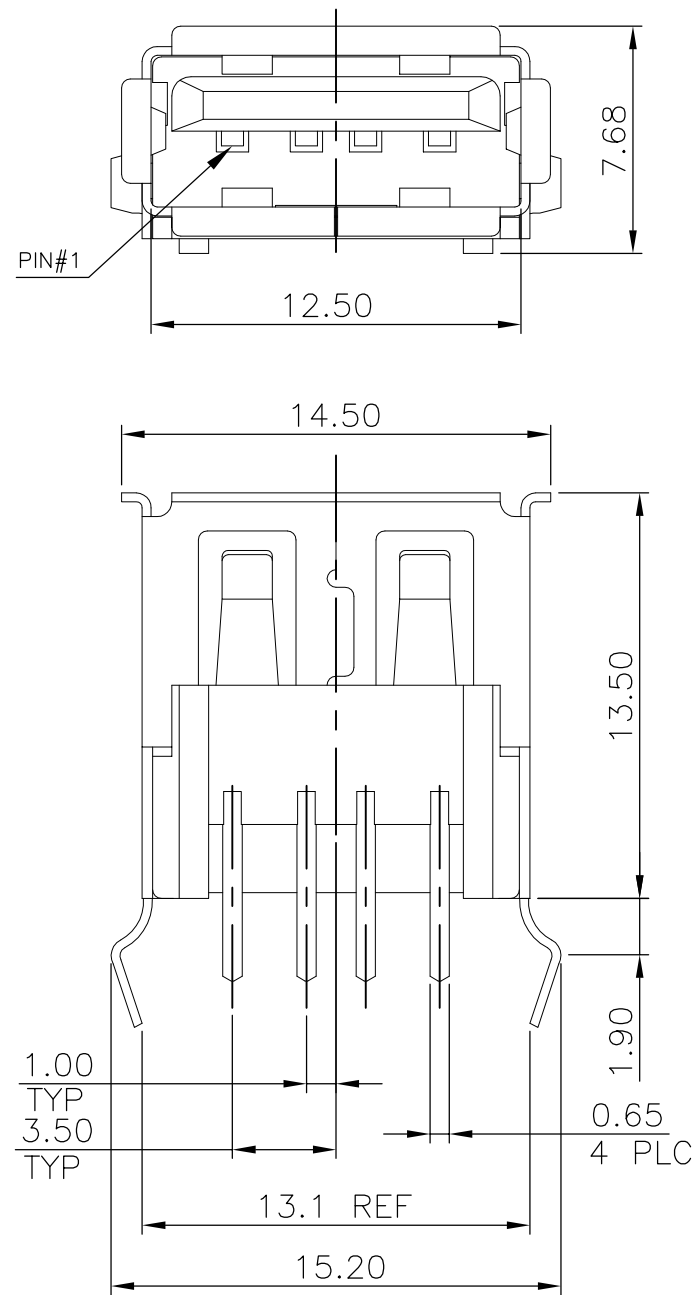


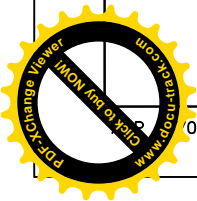
| LOC | DIST | REVISIONS | | | |
|-----|------|---------------|---------|-----|------|
| P | LTR | DESCRIPTION | DATE | DWN | APVD |
| DW | | | | | |
| | D2 | ECR-15-011655 | 11AUG15 | JL | WK |

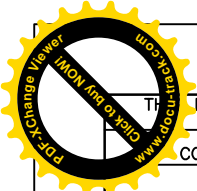


NOTES:

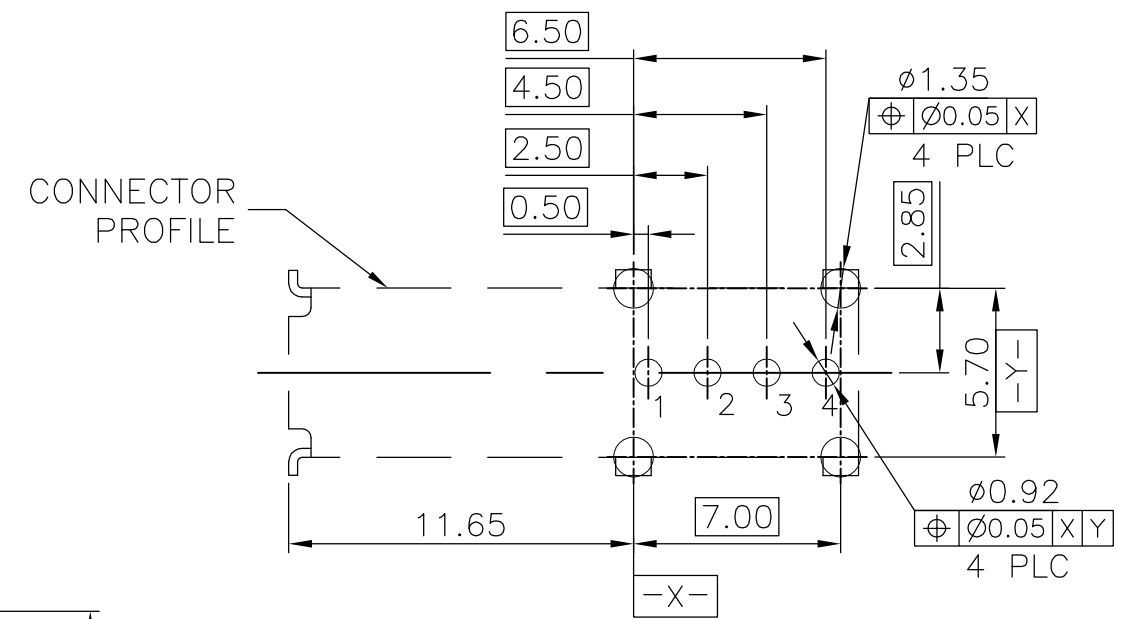
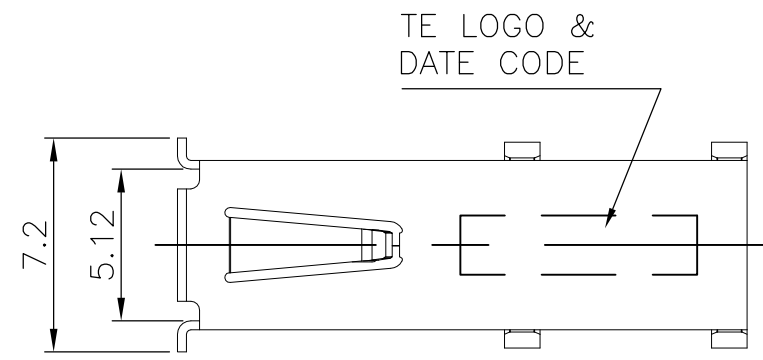
- MATERIAL:
 HOUSING: THERMOPLASTIC (SEE TABLE), WITH 30% GF. UL 94V-0 RATED, BLACK COLOR.
 CAP: THERMOPLASTIC HIGH TEMP WITH 30%GF, UL 94V-0, WHITE COLOR.
 CONTACT: PHOSPHOR BRONZE.
 SHIELD: BRASS.
- FINISH :
 CONTACT: 0.762 μ m [30 μ "] MIN. GOLD PLATING ON CONTACT AREA.
 3.048 μ m [120 μ "] MIN. MATTE-TIN PLATING ON SOLDER TAILS.
 WITH ENTIRE CONTACT UNDERPLATED 1.27 μ m [50 μ "] MIN. NICKEL
 SHIELD: 0.762 μ m [30 μ "] MIN. NICKEL PLATING WITH
 0.762 μ m [30 μ "] MIN. Cu UNDERPLATING OVERALL
- WAVE SOLDER CAPABLE TO 240°C PER TE TEST SPEC. 109-202, CONDITION A.
- REFLOW SOLDER CAPABLE TO 260°C PER TE TEST SPEC. 109-201, CONDITION B.
- TID NUMBER IS 61000806 FOR USB 2.0 SPEC.

| | | | | | |
|---|--|------------------|---------|------------------|---|
| THIS DRAWING IS A CONTROLLED DOCUMENT. | | DWN | O. HU | 18MAR2005 | TE Connectivity NAME USB CONNECTOR, A SERIES, VERTICAL, DIP TYPE |
| DIMENSIONS: MM | | CHK | S. HOU | 18MAR2005 | |
| TOLERANCES UNLESS OTHERWISE SPECIFIED: | | APVD | W.J. KE | 18MAR2005 | |
| 0 PLC ± - 1 PLC ± 0.35 2 PLC ± 0.25 3 PLC ± 0.15 4 PLC ± - ANGLES ± 3° | | PRODUCT SPEC | | 108-57549 | |
| MATERIAL SEE NOTE | | FINISH SEE NOTE | | APPLICATION SPEC | 501-57638 |
| | | WEIGHT | | 1.70 GRAMS | SIZE |
| | | CUSTOMER DRAWING | | A300779 | CAGE CODE |
| | | | | C=1734085 | DRAWING NO |
| | | | | SCALE | RESTRICTED TO |
| | | | | 1 OF 9 | REV D2 |



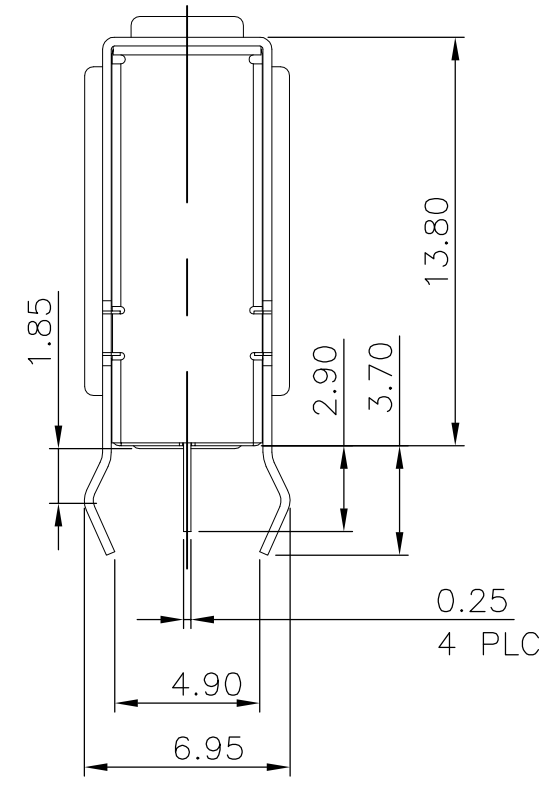
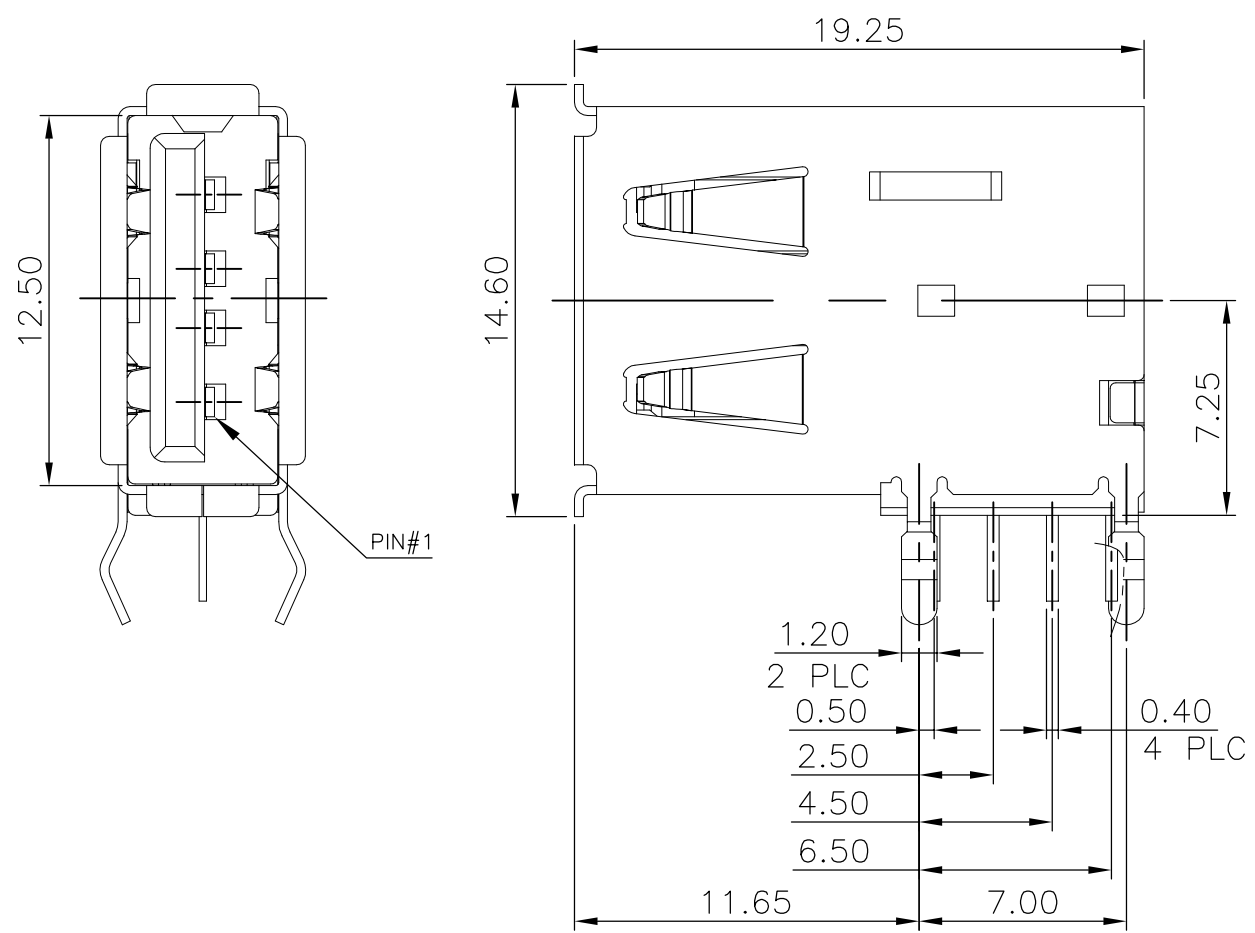


| LOC | DIST | REVISIONS | | | |
|-----|------|--------------|------|-----|------|
| P | LTR | DESCRIPTION | DATE | DWN | APVD |
| DW | | SEE SHEET 1. | | | |



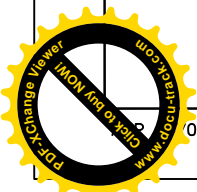
RECOMMEND P.C.B LAYOUT (THICKNESS 1.6mm)
(COMPONENT SIDE) TOLERANCE ±0.05

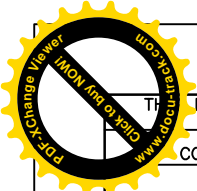
- NOTES :
- MATERIAL:
HOUSING: THERMOPLASTIC (SEE TABLE), WITH 30% GF. UL94V-0 RATED, BLACK COLOR
CONTACTS: PHOSPHOR BRONZE.
SHIELD: BRASS.
REAR SHIELD: SPCC.
 - FINISH:
CONTACT: 0.762µm [30µ"] MIN. GOLD PLATING ON CONTACT AREA
3.048µm [120µ"] MIN. BRIGHT TIN PLATING ON SOLDER TAILS WITH ENTIRE CONTACT UNDERPLATED 1.27µm [50µ"] MIN. NICKEL
SHIELD: 0.762µm [30µ"] MIN. NICKEL PLATING WITH 0.762µm [30µ"] MIN. Cu UNDERPLATING OVERALL
 - WAVE SOLDER CAPABLE TO 240°C PER TE TEST SPEC. 109-202, CONDITION A.
 - REFLOW SOLDER CAPABLE TO 260°C PER TE TEST SPEC. 109-201, CONDITION B.
 - TID NUMBER IS 61000806 FOR USB 2.0 SPEC.
 - LOW HALOGEN SPECIFICATION:
CHLORINE(Cl): 900ppm MAX.
BROMINE(Br): 900ppm MAX.



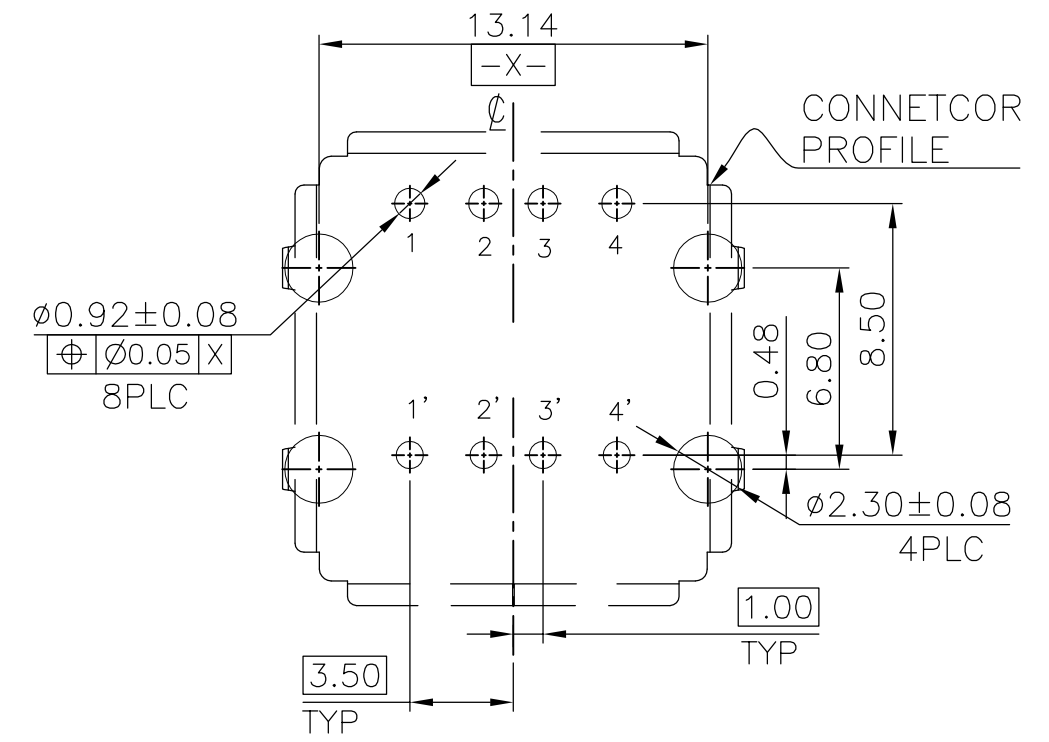
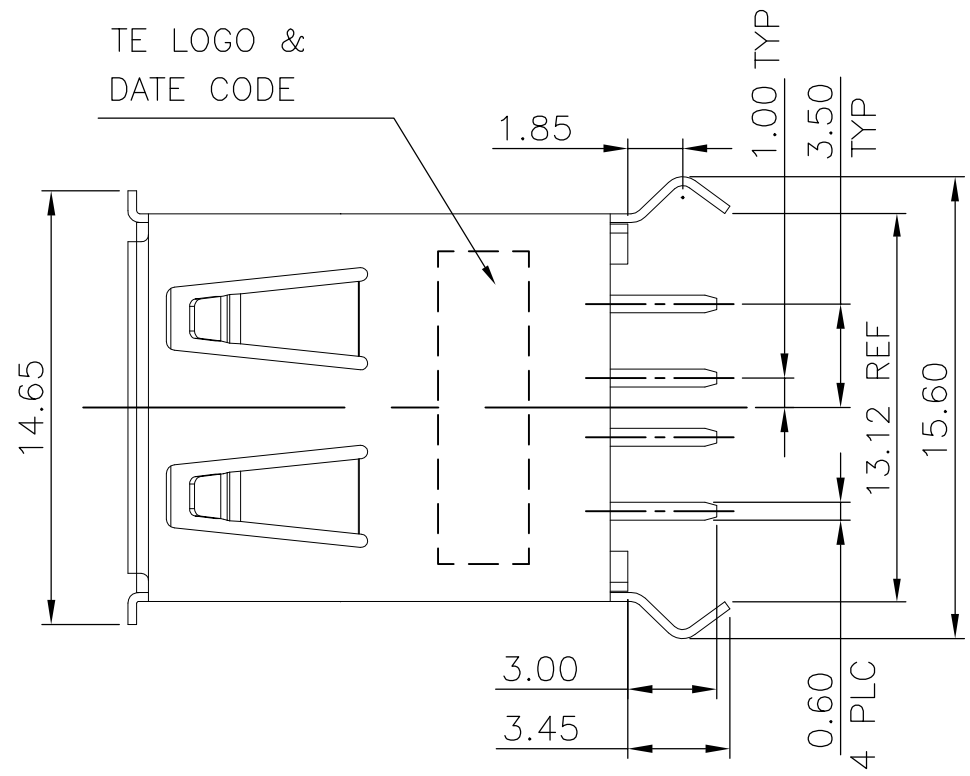
| | | | | |
|----------|---|---------------|---------|-------------|
| OBSOLETE | ⚠ | LCP | TRAY | 1-1734085-3 |
| OBSOLETE | ⚠ | PA-9T | TRAY | 1-1734085-2 |
| OBSOLETE | ⚠ | PBT | TRAY | 1-1734085-1 |
| | | HSG. MATERIAL | PACKAGE | PART NUMBER |

| | | | | | |
|--|--|------------------|---|-----------------|----------------------|
| THIS DRAWING IS A CONTROLLED DOCUMENT. | | DWN | TE Connectivity | | |
| DIMENSIONS: MM | | CHK | | | |
| TOLERANCES UNLESS OTHERWISE SPECIFIED: | | APVD | NAME | | |
| 0 PLC ± - | | PRODUCT SPEC | USB CONNECTOR, A SERIES, VERTICAL, DIP TYPE | | |
| 1 PLC ± 0.35 | | APPLICATION SPEC | | | |
| 2 PLC ± 0.25 | | WEIGHT 2.8 GRAMS | SIZE A3 | CAGE CODE 00779 | DRAWING NO C-1734085 |
| 3 PLC ± 0.15 | | CUSTOMER DRAWING | RESTRICTED TO | | |
| 4 PLC ± - | | | SCALE - | SHEET 2 OF 9 | REV D2 |
| ANGLES ± 3' | | | | | |
| MATERIAL SEE NOTE | | | | | |
| FINISH SEE NOTE | | | | | |

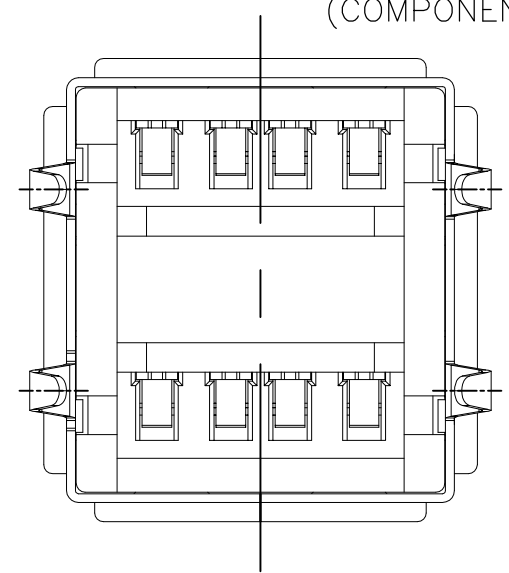
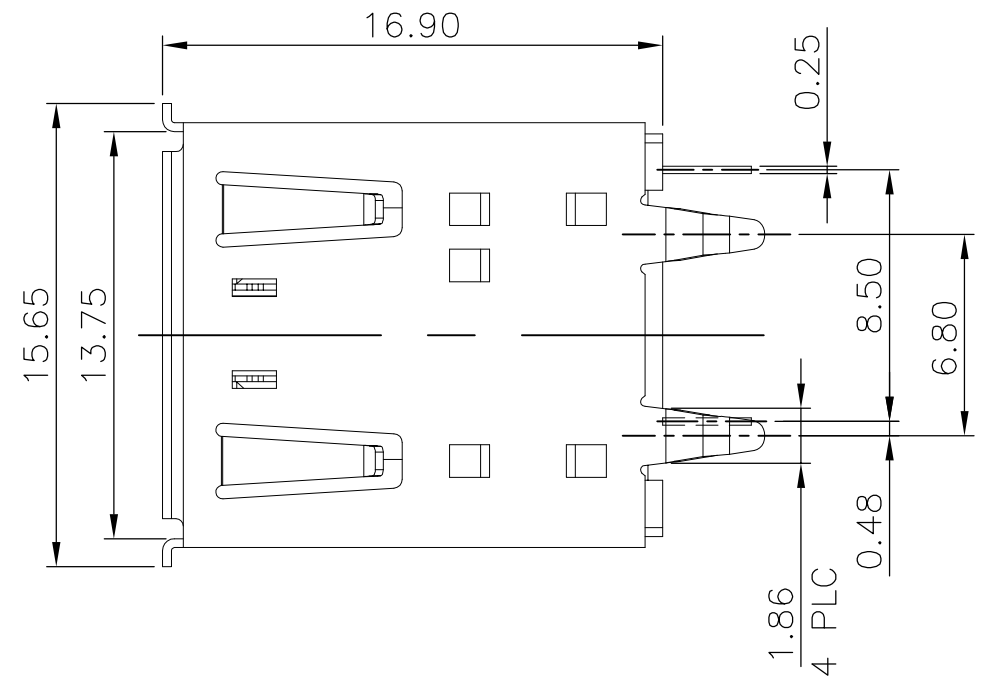
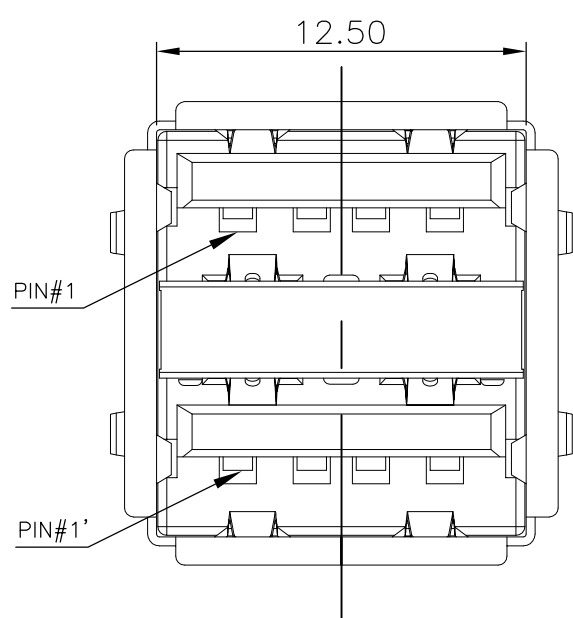




| LOC | DIST | REVISIONS | | | |
|-----|------|--------------|------|-----|------|
| P | LTR | DESCRIPTION | DATE | DWN | APVD |
| DW | | SEE SHEET 1. | | | |



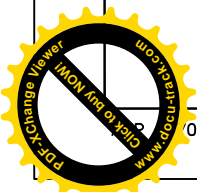
RECOMMEND P.C.B LAYOUT (THICKNESS 1.6mm)
(COMPONENT SIDE) TOLERANCE ±0.05mm

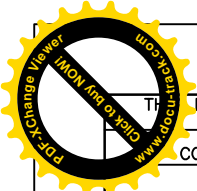


- NOTES:
- MATERIAL:
HOUSING: THERMOPLASTIC (SEE TABLE), WITH 30% GF. UL 94V-0 RATED, BLACK COLOR
CONTACT: BRASS.
SHIELD: BRASS.
 - FINISH :
CONTACT: 0.762µm [30µ"] MIN. GOLD PLATING ON CONTACT AREA.
3.048µm [120µ"] MIN. BRIGHT TIN PLATING ON SOLDER TAILS WITH ENTIRE CONTACT UNDERPLATED 1.27µm [50µ"] MIN. NICKEL
SHIELD: 0.762µm [30µ"] MIN. NICKEL PLATING WITH 0.762µm [30µ"] MIN. Cu UNDERPLATING OVERALL
 - WAVE SOLDER CAPABLE TO 240°C PER TE TEST SPEC. 109-202, CONDITION A.
 - REFLOW SOLDER CAPABLE TO 260°C PER TE TEST SPEC. 109-201, CONDITION B.
 - TID NUMBER IS 61000806 FOR USB 2.0 SPEC.

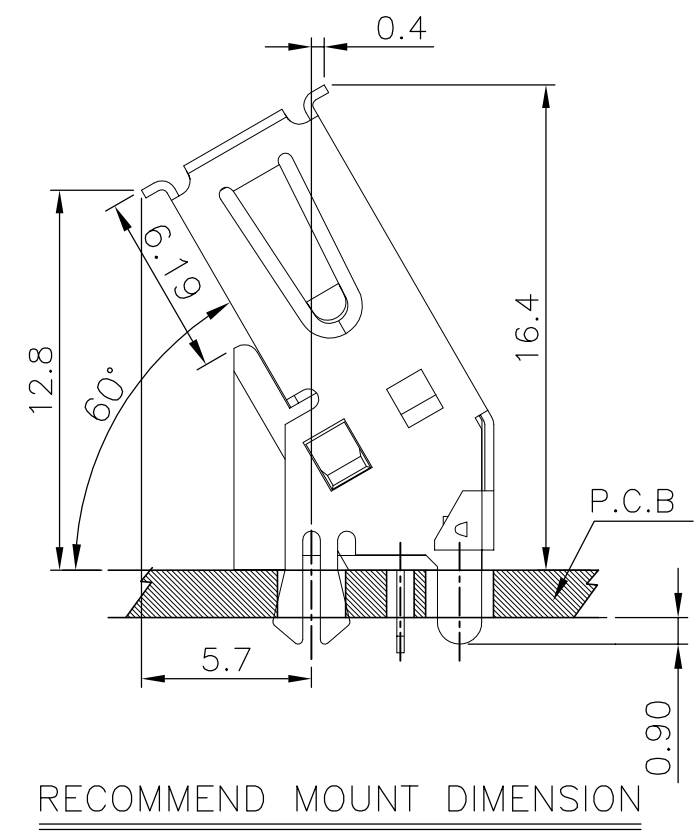
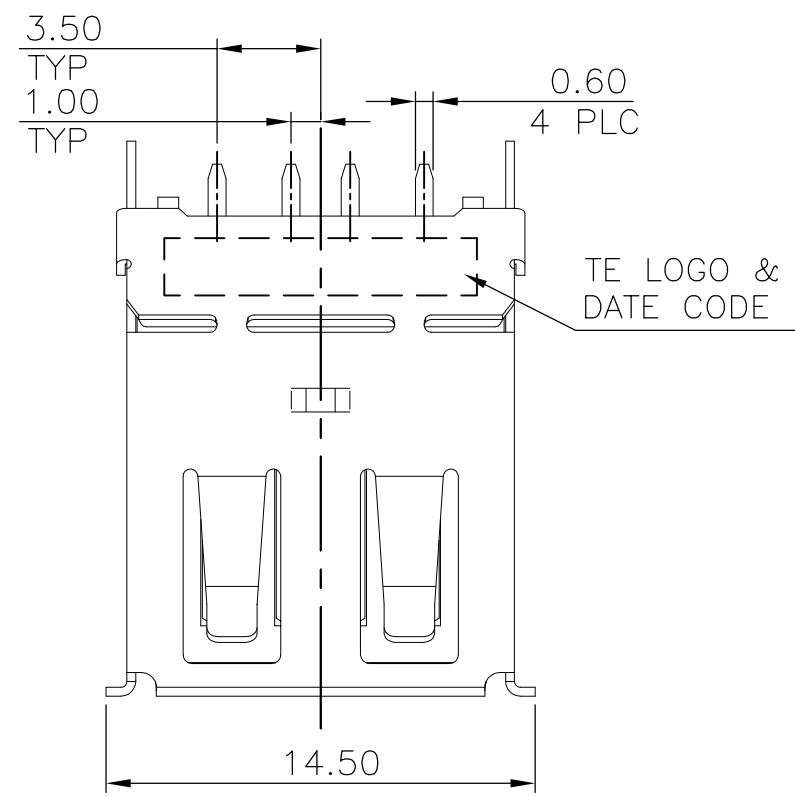
| | | | |
|----------|---------------|---------|-------------|
| OBSOLETE | PA-9T | TRAY | 2-1734085-2 |
| OBSOLETE | PBT | TRAY | 2-1734085-1 |
| | HSG. MATERIAL | PACKAGE | PART NUMBER |

| | | | | | |
|---|--|-------------------|--|---|--|
| THIS DRAWING IS A CONTROLLED DOCUMENT. | | DWN | | TE Connectivity | |
| DIMENSIONS: MM | | CHK | | | |
| | | APVD | | NAME | |
| TOLERANCES UNLESS OTHERWISE SPECIFIED: 0 PLC ± - 1 PLC ± 0.35 2 PLC ± 0.25 3 PLC ± 0.15 4 PLC ± - ANGLES ± 3° | | PRODUCT SPEC | | USB CONNECTOR, A SERIES, VERTICAL, DIP TYPE | |
| MATERIAL SEE NOTE | | FINISH SEE NOTE | | APPLICATION SPEC | |
| | | WEIGHT 4.57 GRAMS | | SIZE A3 | |
| | | CUSTOMER DRAWING | | CAGE CODE 00779 | |
| | | | | DRAWING NO 1734085 | |
| | | | | RESTRICTED TO | |
| | | | | SCALE - | |
| | | | | SHEET 3 OF 9 | |
| | | | | REV D2 | |

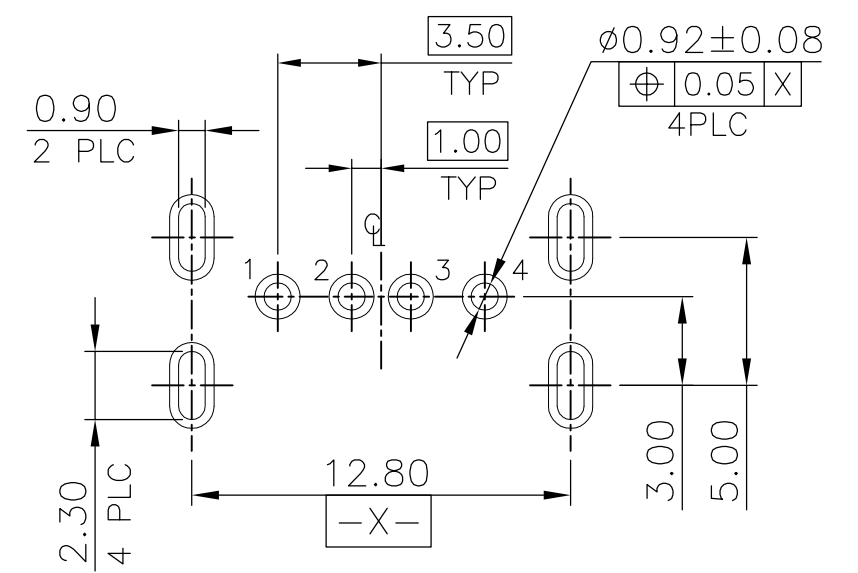
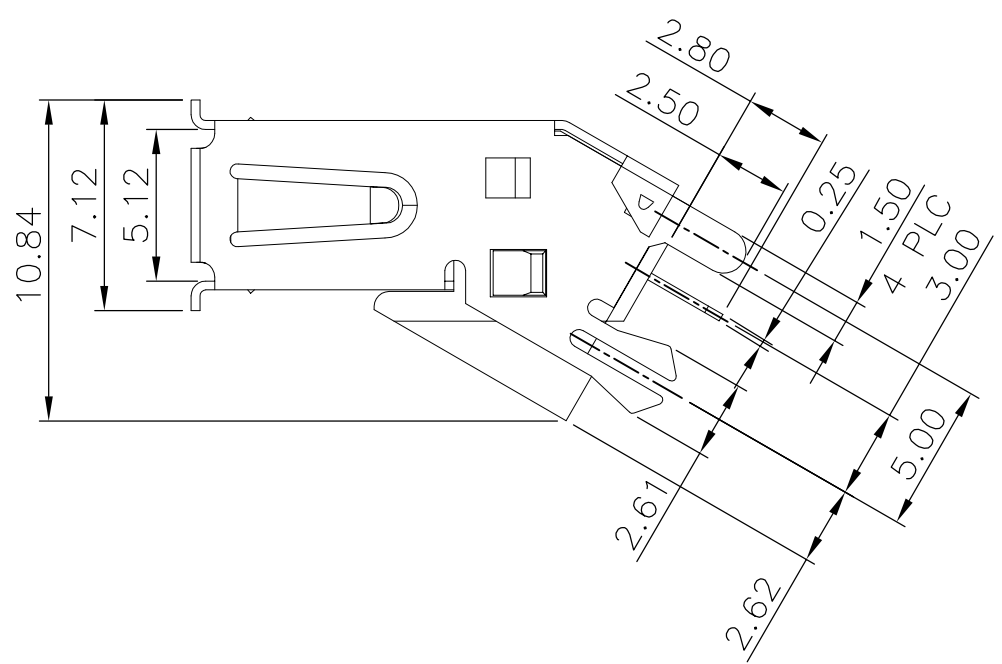
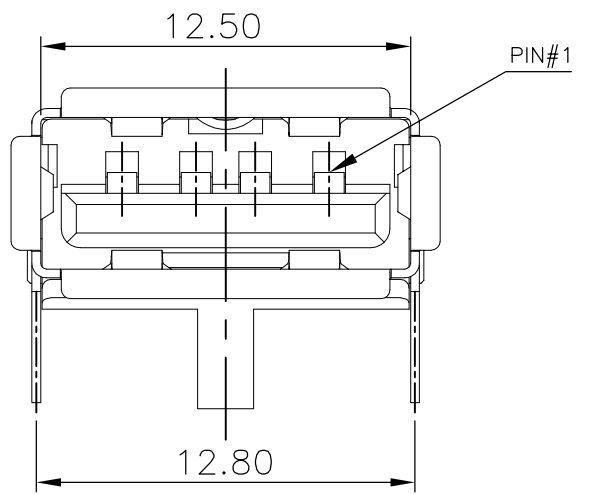




| LOC | DIST | REVISIONS | | | |
|-----|------|--------------|------|-----|------|
| P | LTR | DESCRIPTION | DATE | DWN | APVD |
| DW | / | SEE SHEET 1. | | | |



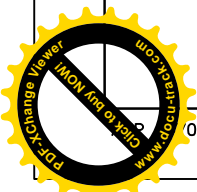
- NOTES:
- MATERIAL:
 HOUSING: THERMOPLASTIC (SEE TABLE), WITH 30% GF.
 UL 94V-0 RATED, BLACK COLOR
 CONTACT: PHOSPHOR BRONZE.
 SHIELD: BRASS.
 - FINISH:
 CONTACT: 0.762μm [30μ"] MIN. GOLD PLATING ON CONTACT AREA.
 3.048μm [120μ"] MIN. BRIGHT TIN PLATING ON
 SOLDERTAILS WITH ENTIRE CONTACT UNDERPLATED
 1.27μm [50μ"] MIN. NICKEL
 SHIELD: 0.762μm [30μ"] MIN. NICKEL PLATING WITH
 0.762μm [30μ"] MIN. Cu UNDER PLATING OVERALL
- ⚠ WAVE SOLDER CAPABLE TO 240°C PER TE TEST SPEC.
 109-202, CONDITION A.
 ⚠ REFLOW SOLDER CAPABLE TO 260°C PER TE TEST SPEC.
 109-201, CONDITION B.
 5. TID NUMBER IS 61000806 FOR USB 2.0 SPEC.

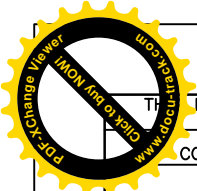


RECOMMEND P.C.B LAYOUT (THICKNESS 1.6mm)
 (COMPONENT SIDE) TOLERANCE ±0.05mm

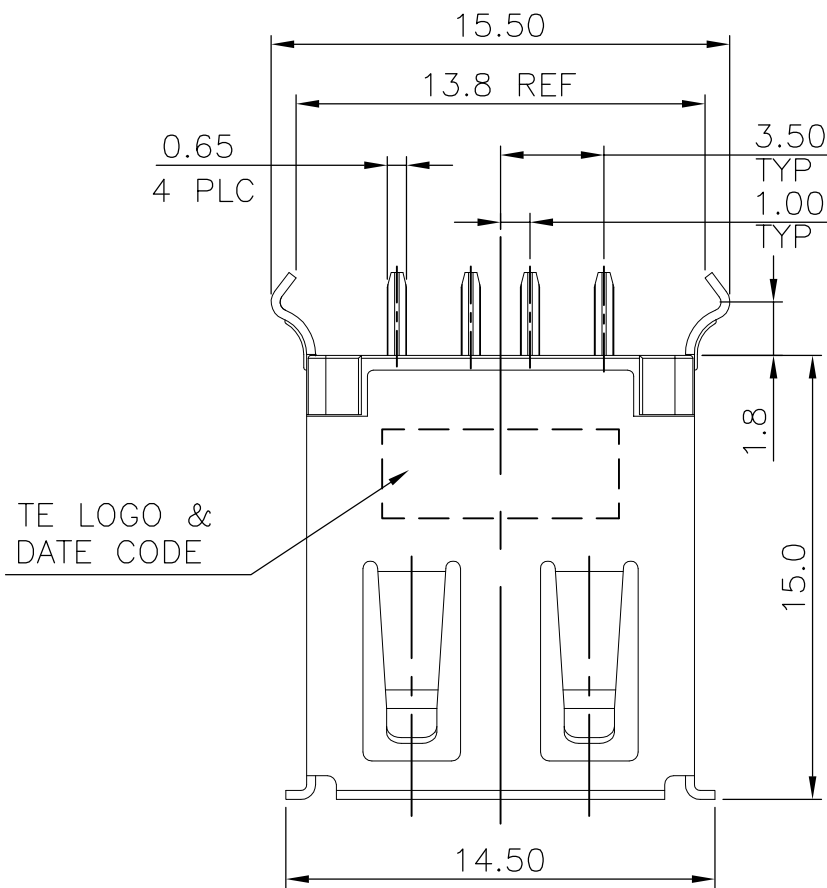
| | | | |
|----------|---------------|---------|-------------|
| OBSOLETE | ⚠ PA-9T | TRAY | 3-1734085-2 |
| OBSOLETE | ⚠ PBT | TRAY | 3-1734085-1 |
| | HSG. MATERIAL | PACKAGE | PART NUMBER |

| | | | | | | | | | | | | | | |
|--|----------|------------------|---|-----------|------------|---------------|-------|--------|-------|--------|-------|--------|-------|-----|
| THIS DRAWING IS A CONTROLLED DOCUMENT. | | DWN | TE Connectivity NAME USB CONNECTOR, A SERIES, VERTICAL, DIP TYPE | | | | | | | | | | | |
| DIMENSIONS: MM | | CHK | | | | | | | | | | | | |
| TOLERANCES UNLESS OTHERWISE SPECIFIED: | | APVD | | | | | | | | | | | | |
| <table border="0"> <tr><td>0 PLC</td><td>± -</td></tr> <tr><td>1 PLC</td><td>± 0.35</td></tr> <tr><td>2 PLC</td><td>± 0.25</td></tr> <tr><td>3 PLC</td><td>± 0.15</td></tr> <tr><td>4 PLC</td><td>± -</td></tr> <tr><td>ANGLES</td><td>± 3'</td></tr> </table> | | 0 PLC | | | | ± - | 1 PLC | ± 0.35 | 2 PLC | ± 0.25 | 3 PLC | ± 0.15 | 4 PLC | ± - |
| 0 PLC | ± - | | | | | | | | | | | | | |
| 1 PLC | ± 0.35 | | | | | | | | | | | | | |
| 2 PLC | ± 0.25 | | | | | | | | | | | | | |
| 3 PLC | ± 0.15 | | | | | | | | | | | | | |
| 4 PLC | ± - | | | | | | | | | | | | | |
| ANGLES | ± 3' | | | | | | | | | | | | | |
| MATERIAL | FINISH | APPLIC. SPEC | SIZE | CAGE CODE | DRAWING NO | RESTRICTED TO | | | | | | | | |
| SEE NOTE | SEE NOTE | WEIGHT | A3 | 00779 | C=1734085 | | | | | | | | | |
| | | CUSTOMER DRAWING | SCALE | SHEET | 4 OF 9 | REV D2 | | | | | | | | |



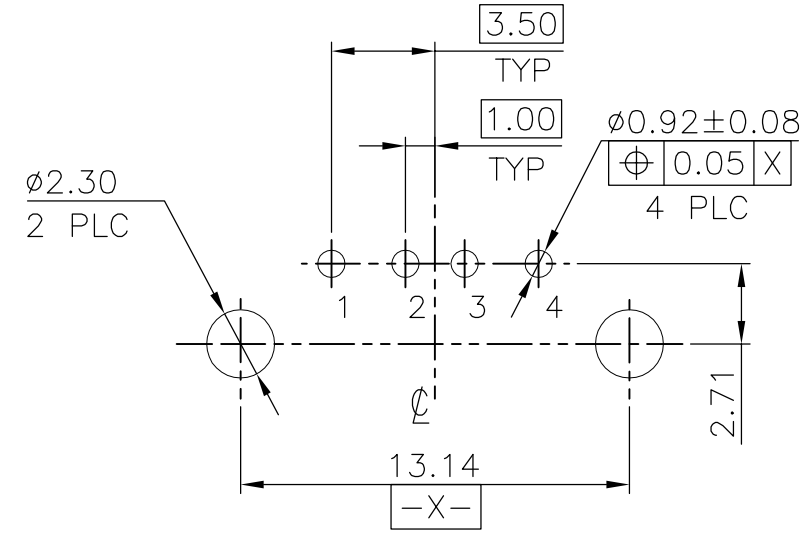
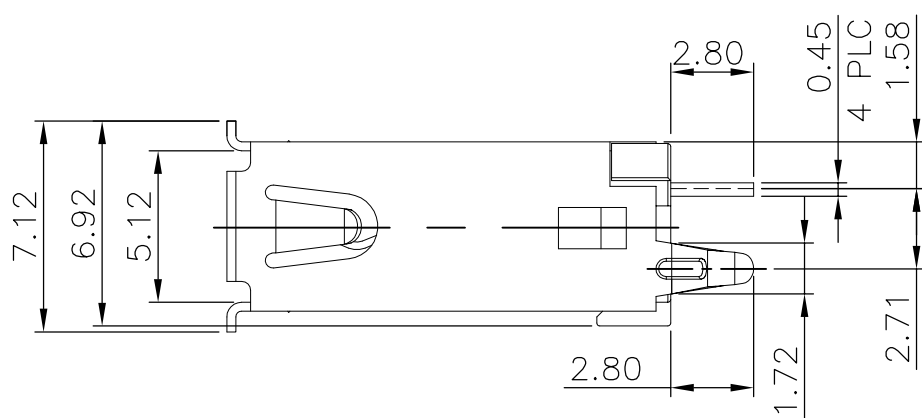
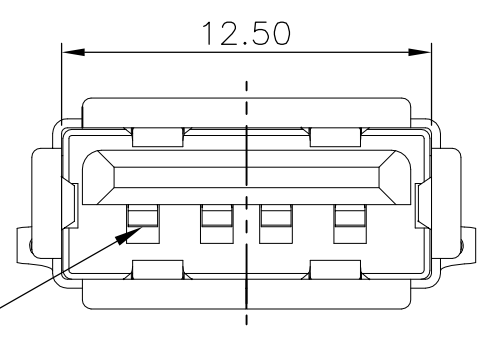


| LOC | DIST | REVISIONS | | | | | |
|-----|------|-----------|-----|--------------|------|-----|------|
| DW | | P | LTR | DESCRIPTION | DATE | DWN | APVD |
| | | | | SEE SHEET 1. | | | |



TE LOGO & DATE CODE

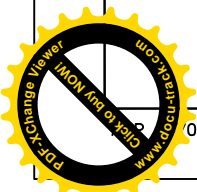
- NOTES:
- MATERIAL:
 HOUSING: THERMOPLASTIC (SEE TABLE), WITH 30% GF.
 UL 94V-0 RATED, BLACK: SEE TABLE.
 CONTACT: PHOSPHOR BRONZE.
 SHIELD: BRASS.
 - FINISH :
 CONTACT: 0.762μm [30μ"] MIN. GOLD PLATING ON CONTACT AREA.
 3.048μm [120μ"] MIN. BRIGHT TIN PLATING ON SOLDER TAILS
 WITH ENTIRE CONTACT UNDERPLATED 1.27μm [50μ"] MIN. NICKEL.
 SHIELD: 0.762μm [30μ"] MIN. NICKEL PLATING WITH
 0.762μm [30μ"] MIN. Cu UNDER PLATING OVERALL
 - WAVE SOLDER CAPABLE TO 240°C PER TE TEST SPEC. 109-202, CONDITION A.
 - REFLOW SOLDER CAPABLE TO 260°C PER TE TEST SPEC. 109-201, CONDITION B.
 - TID NUMBER IS 61000806 FOR USB 2.0 SPEC.

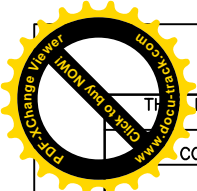


RECOMMEND P.C.B LAYOUT (THICKNESS 1.6mm)
 (COMPONENT SIDE) TOLERANCE ±0.05mm

| | | | |
|------------|---------------|---------|-------------|
| NATURE | △PA-9T | TRAY | 4-1734085-2 |
| WHITE | △PBT | TRAY | 4-1734085-1 |
| HSG. COLOR | HSG. MATERIAL | PACKAGE | PART NUMBER |

| | | | | |
|--|--|-------------------|--|-----------------|
| THIS DRAWING IS A CONTROLLED DOCUMENT. | | DWN | TE TE Connectivity | |
| DIMENSIONS: MM | | CHK | | |
| TOLERANCES UNLESS OTHERWISE SPECIFIED: | | APVD | NAME | |
| 0 PLC ± - | | PRODUCT SPEC | USB CONNECTOR, A SERIES, VERTICAL, DIP TYPE | |
| 1 PLC ± 0.35 | | APPLICATION SPEC | | |
| 2 PLC ± 0.25 | | WEIGHT 1.70 GRAMS | SIZE A3 | CAGE CODE 00779 |
| 3 PLC ± 0.15 | | CUSTOMER DRAWING | DRAWING NO C-1734085 | RESTRICTED TO |
| 4 PLC ± - | | | SCALE - | SHEET 5 OF 9 |
| ANGLES ± 3' | | | | REV D2 |
| MATERIAL SEE NOTE | | | | |
| FINISH SEE NOTE | | | | |





4

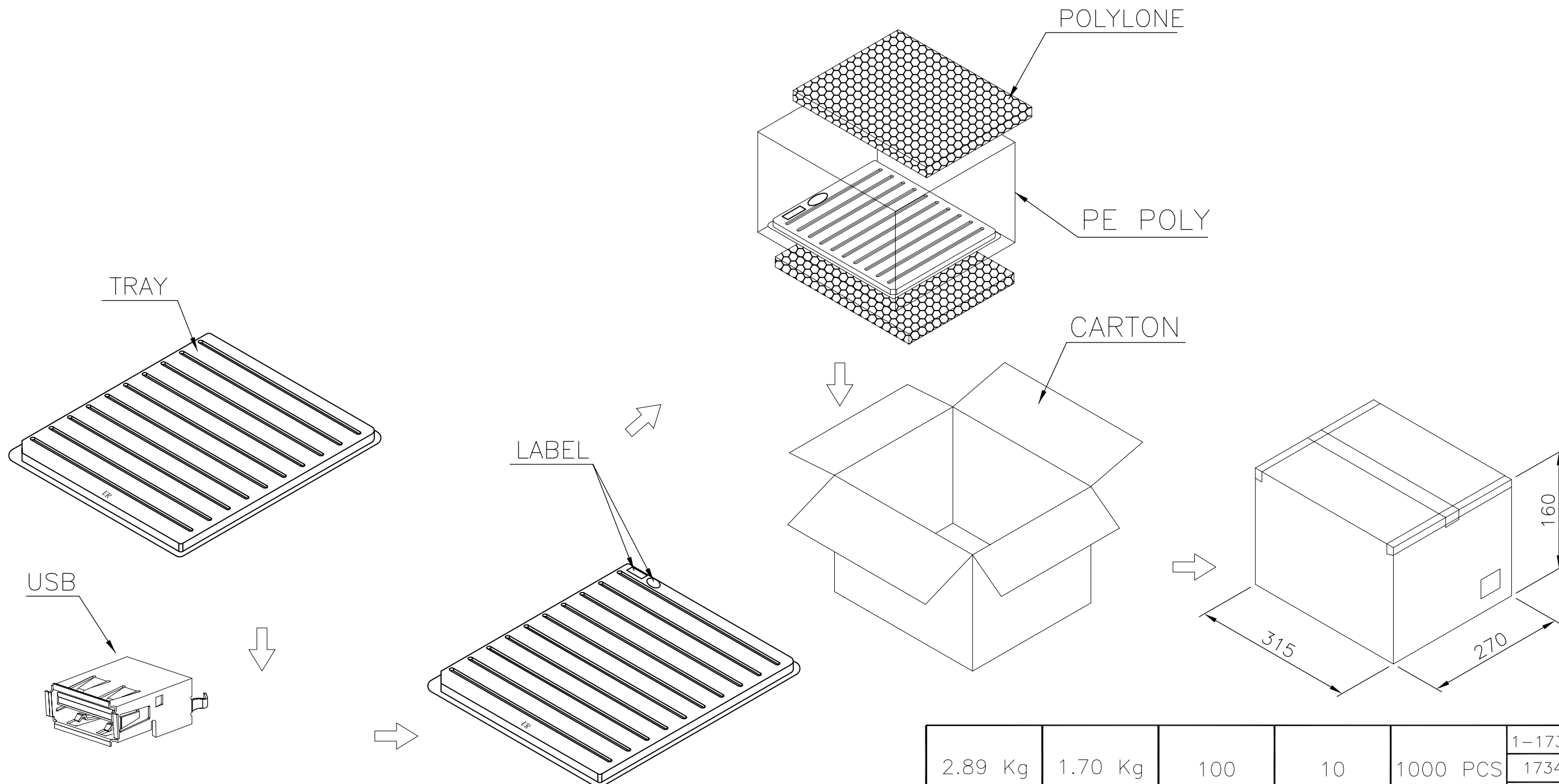
3

2

1

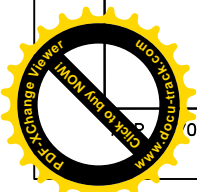
DRAWING IS UNPUBLISHED. RELEASED FOR PUBLICATION AUG ,2006.
 COPYRIGHT 2009 BY TYCO ELECTRONICS CORPORATION. ALL RIGHTS RESERVED.

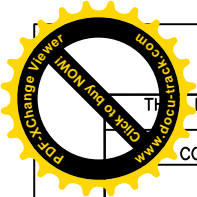
| LOC | DIST | REVISIONS | | | | |
|-----|------|--------------|------|-----|------|--|
| P | LTR | DESCRIPTION | DATE | DWN | APVD | |
| | | SEE SHEET 1. | | | | |



| 2.89 Kg | 1.70 Kg | 100 | 10 | 1000 PCS | 1-1734085-X |
|--------------|------------|----------|---------------|----------|-------------|
| | | | | | 1734085-2 |
| | | | | | 1734085-1 |
| GROSS WEIGHT | NET WEIGHT | PCS/TRAY | TRAYS /CARTON | QUANTITY | PART NUMBER |

| | | | | | |
|---|--|------------------|--|--|--|
| THIS DRAWING IS A CONTROLLED DOCUMENT. | | DWN | | TE Connectivity USB CONNECTOR, A SERIES, VERTICAL, DIP TYPE | |
| DIMENSIONS: MM | | CHK | | | |
| | | APVD | | | |
| TOLERANCES UNLESS OTHERWISE SPECIFIED: 0 PLC ± - 1 PLC ± - 2 PLC ± - 3 PLC ± - 4 PLC ± - ANGLES ± - | | PRODUCT SPEC | | | |
| MATERIAL | | WEIGHT | | NAME | |
| FINISH | | CUSTOMER DRAWING | | APPLICATION SPEC | |
| | | | | SIZE CAGE CODE DRAWING NO RESTRICTED TO | |
| | | | | A3 00779 C=1734085 | |
| | | | | SCALE SHEET 6 OF 9 REV D2 | |





4

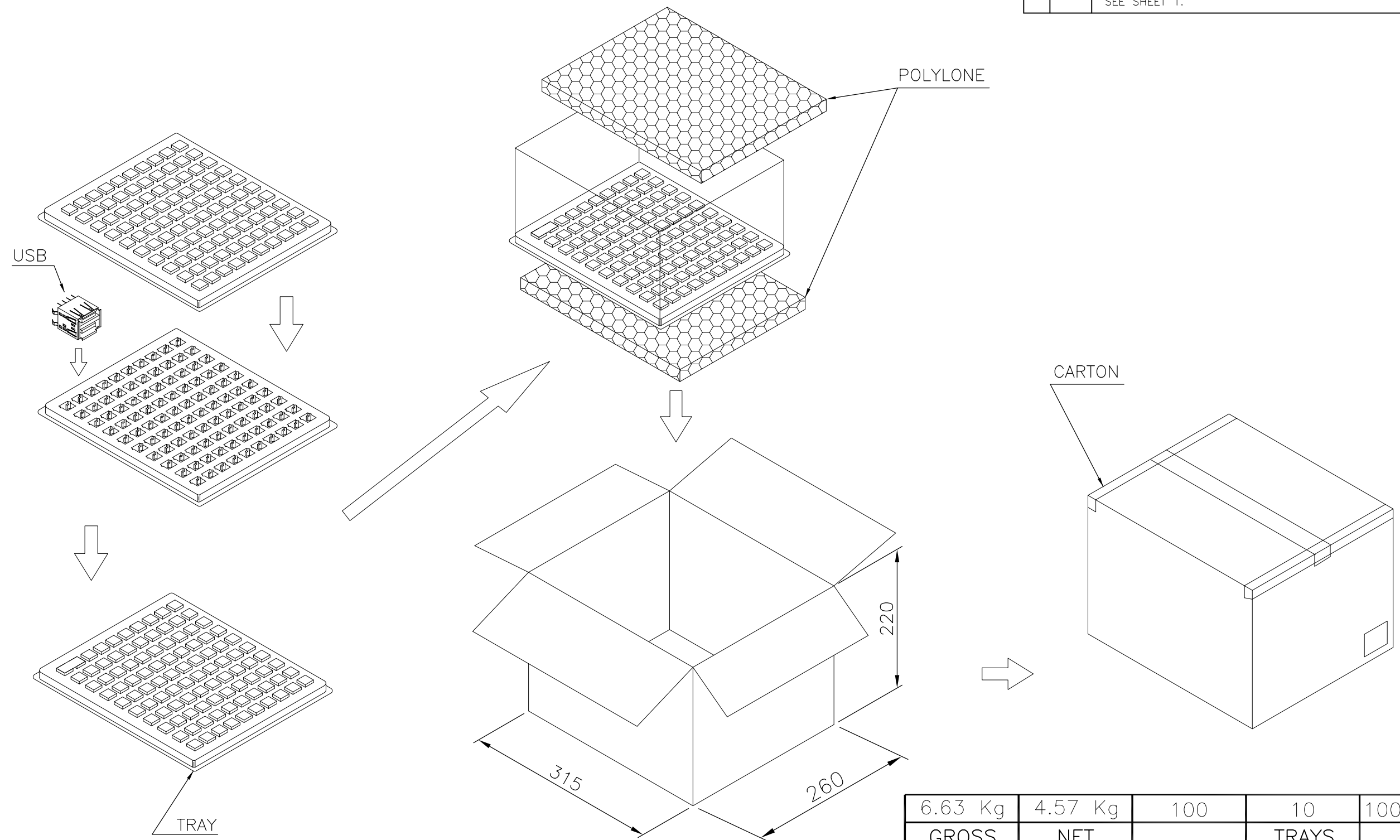
3

2

1

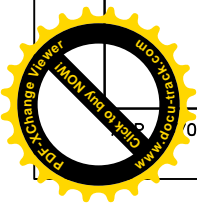
DRAWING IS UNPUBLISHED. RELEASED FOR PUBLICATION AUG ,2006.
 COPYRIGHT 2009 BY TYCO ELECTRONICS CORPORATION. ALL RIGHTS RESERVED.

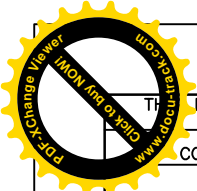
| LOC | DIST | REVISIONS | | | |
|-----|------|--------------|------|-----|------|
| P | LTR | DESCRIPTION | DATE | DWN | APVD |
| DW | / | SEE SHEET 1. | | | |



| | | | | | |
|--------------|------------|----------|---------------|----------|-------------|
| 6.63 Kg | 4.57 Kg | 100 | 10 | 1000 PCS | 2-1734085-X |
| GROSS WEIGHT | NET WEIGHT | PCS/TRAY | TRAYS /CARTON | QUANTITY | PART NUMBER |

| | | | | | |
|---|--|--------------|--|---|--|
| THIS DRAWING IS A CONTROLLED DOCUMENT. | | DWN | | TE Connectivity USB CONNECTOR, A SERIES, VERTICAL, DIP TYPE | |
| DIMENSIONS: MM | | CHK | | | |
| | | APVD | | | |
| TOLERANCES UNLESS OTHERWISE SPECIFIED: 0 PLC ± - 1 PLC ± - 2 PLC ± - 3 PLC ± - 4 PLC ± - ANGLES ± - | | PRODUCT SPEC | | | |
| MATERIAL | | FINISH | | NAME | |
| | | | | APPLICATION SPEC | |
| | | | | SIZE | |
| | | | | CAGE CODE | |
| | | | | DRAWING NO | |
| | | | | RESTRICTED TO | |
| | | | | A3 00779 C=1734085 | |
| | | | | SCALE | |
| | | | | SHEET 7 of 9 | |
| | | | | REV D2 | |





4

3

2

1

DRAWING IS UNPUBLISHED.

RELEASED FOR PUBLICATION

AUG ,2006.

COPYRIGHT 2009 BY TYCO ELECTRONICS CORPORATION.

ALL RIGHTS RESERVED.

LOC

DIST

REVISIONS

DW

P

LTR

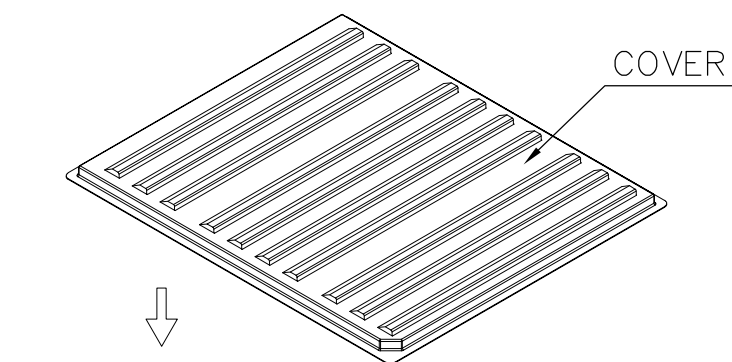
DESCRIPTION

DATE

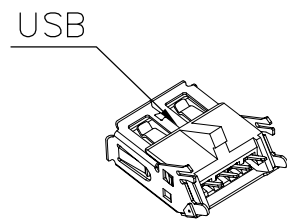
DWN

APVD

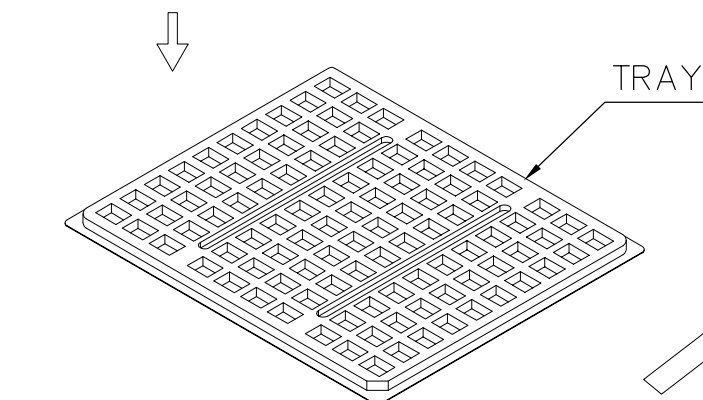
SEE SHEET 1.



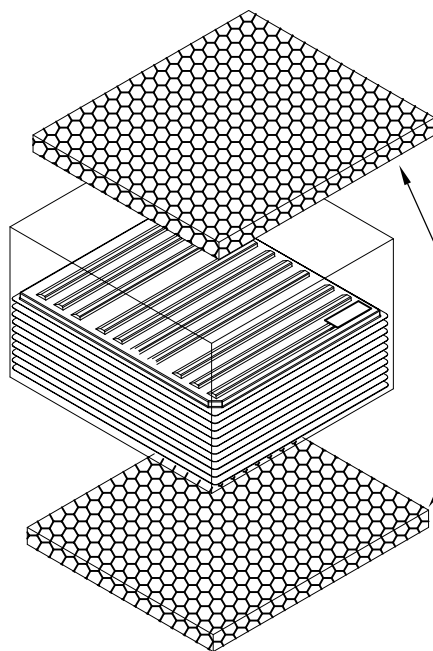
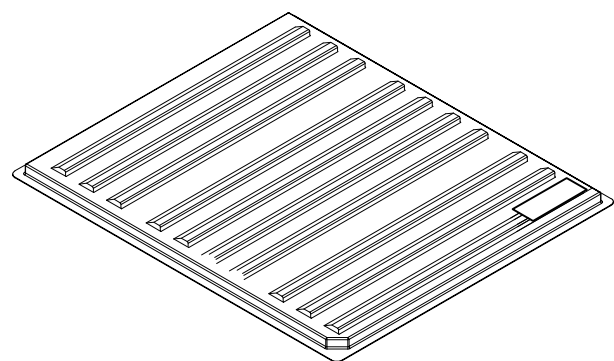
COVER



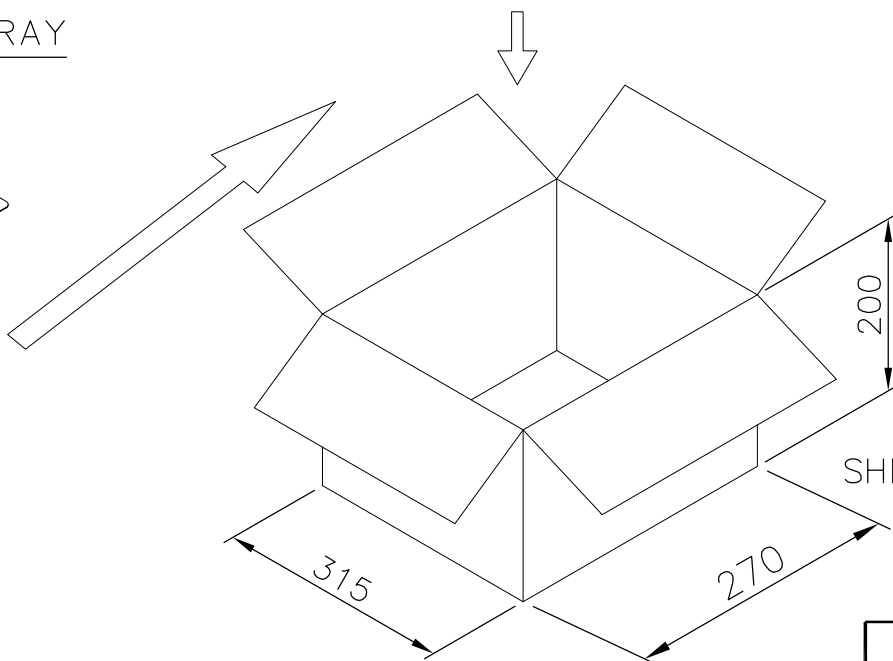
USB



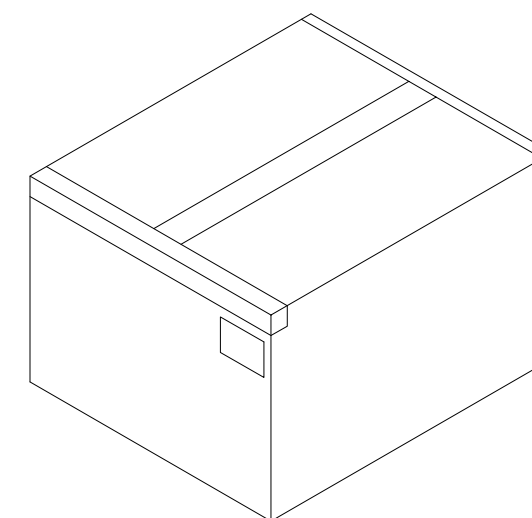
TRAY



POLYSTYRENE
2PCS/SHIPPING CARTON

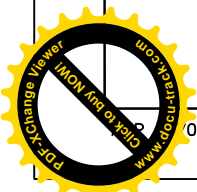


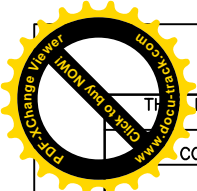
SHIPPING CARTON



| | | | | | |
|--------------|------------|----------|---------------|----------|----------------------------|
| 3.35 Kg | 2.16 Kg | 100 | 10 | 1000 PCS | 4-1734085-X 3-1734085-X |
| GROSS WEIGHT | NET WEIGHT | PCS/TRAY | TRAYS /CARTON | QUANTITY | PART NUMBER |

| | | | | | |
|---|--|------------------|--|---|--|
| THIS DRAWING IS A CONTROLLED DOCUMENT. | | DWN | | TE Connectivity USB CONNECTOR, A SERIES, VERTICAL, DIP TYPE | |
| DIMENSIONS: MM | | CHK | | | |
| TOLERANCES UNLESS OTHERWISE SPECIFIED: 0 PLC ± - 1 PLC ± - 2 PLC ± - 3 PLC ± - 4 PLC ± - ANGLES ± - | | APVD | | | |
| MATERIAL | | PRODUCT SPEC | | | |
| FINISH | | APPLICATION SPEC | | NAME | |
| | | WEIGHT | | SIZE | |
| | | CUSTOMER DRAWING | | CAGE CODE | |
| | | | | DRAWING NO | |
| | | | | RESTRICTED TO | |
| | | | | A3 00779 C=1734085 | |
| | | | | SCALE | |
| | | | | SHEET 8 of 9 | |
| | | | | REV D2 | |





4

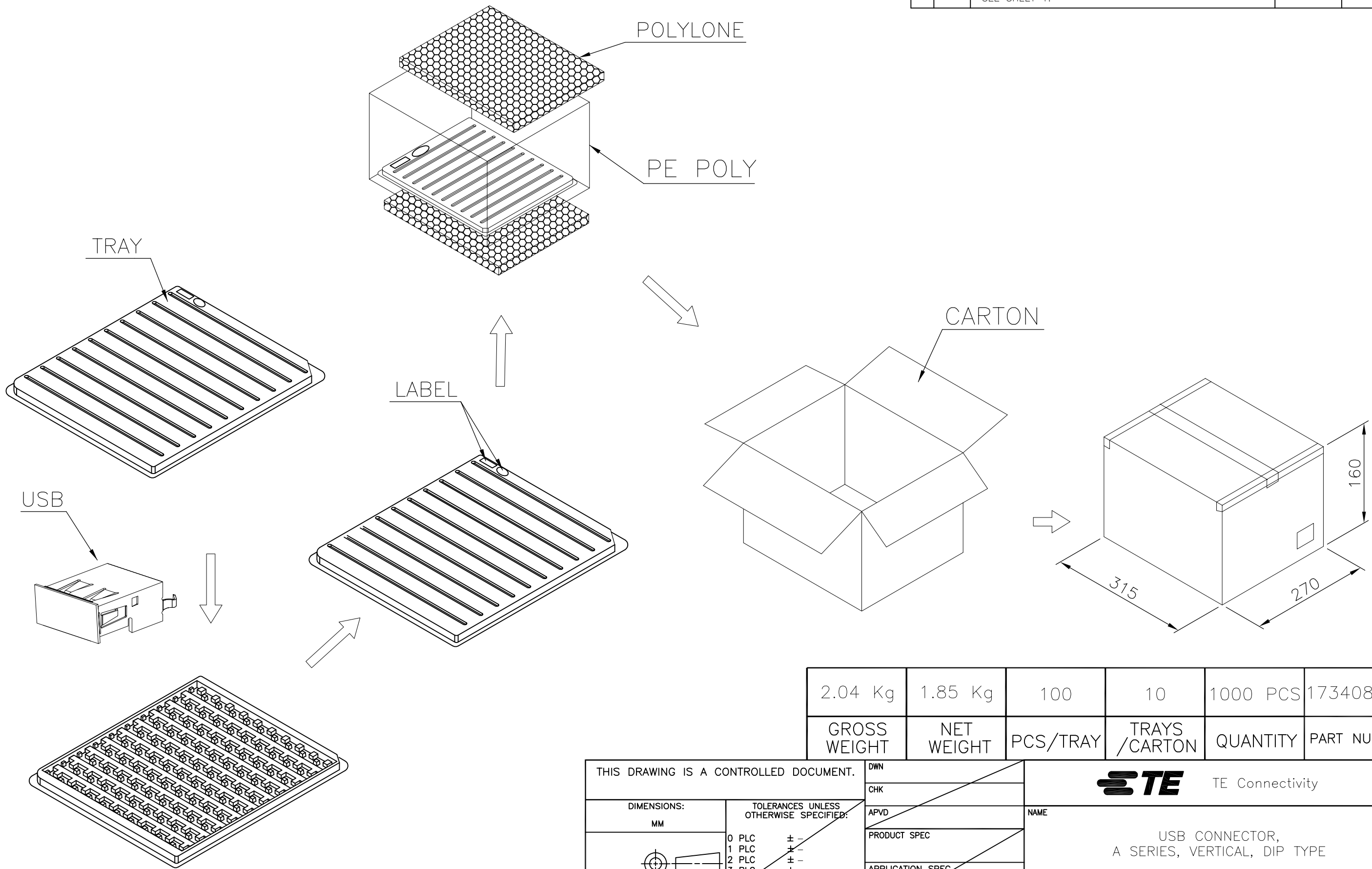
3

2

1

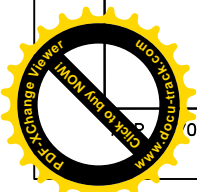
DRAWING IS UNPUBLISHED. RELEASED FOR PUBLICATION AUG ,2006.
 COPYRIGHT 2009 BY TYCO ELECTRONICS CORPORATION. ALL RIGHTS RESERVED.

| LOC | DIST | REVISIONS | | | |
|-----|------|--------------|------|-----|------|
| P | LTR | DESCRIPTION | DATE | DWN | APVD |
| | | SEE SHEET 1. | | | |



| | | | | | |
|--------------|------------|----------|---------------|----------|-------------|
| 2.04 Kg | 1.85 Kg | 100 | 10 | 1000 PCS | 1734085-3 |
| GROSS WEIGHT | NET WEIGHT | PCS/TRAY | TRAYS /CARTON | QUANTITY | PART NUMBER |

| | | | | | |
|---|--|------------------|--|------------|---------------|
| THIS DRAWING IS A CONTROLLED DOCUMENT. | | DWN | TE Connectivity USB CONNECTOR, A SERIES, VERTICAL, DIP TYPE | | |
| DIMENSIONS: MM | | CHK | | | |
| TOLERANCES UNLESS OTHERWISE SPECIFIED: 0 PLC ± - 1 PLC ± - 2 PLC ± - 3 PLC ± - 4 PLC ± - ANGLES ± - | | APVD | | | |
| MATERIAL | | FINISH | | | |
| | | PRODUCT SPEC | NAME | | |
| | | APPLICATION SPEC | SIZE | | |
| | | WEIGHT | CAGE CODE | DRAWING NO | RESTRICTED TO |
| | | CUSTOMER DRAWING | A300779 | C=1734085 | |
| | | | SCALE | SHEET | REV |
| | | | - | 9 of 9 | D2 |



Mouser Electronics

Authorized Distributor

Click to View Pricing, Inventory, Delivery & Lifecycle Information:

[TE Connectivity:](#)

[1734085-1](#)