

| REVISED PER | | DESCRIPTION | DATE | BY | APPROVED |
|-------------|---------------------------|-------------|---------|-----|----------|
| 01 | REVISED PER ECR-12-003106 | | 14FEB12 | W.W | C.W |

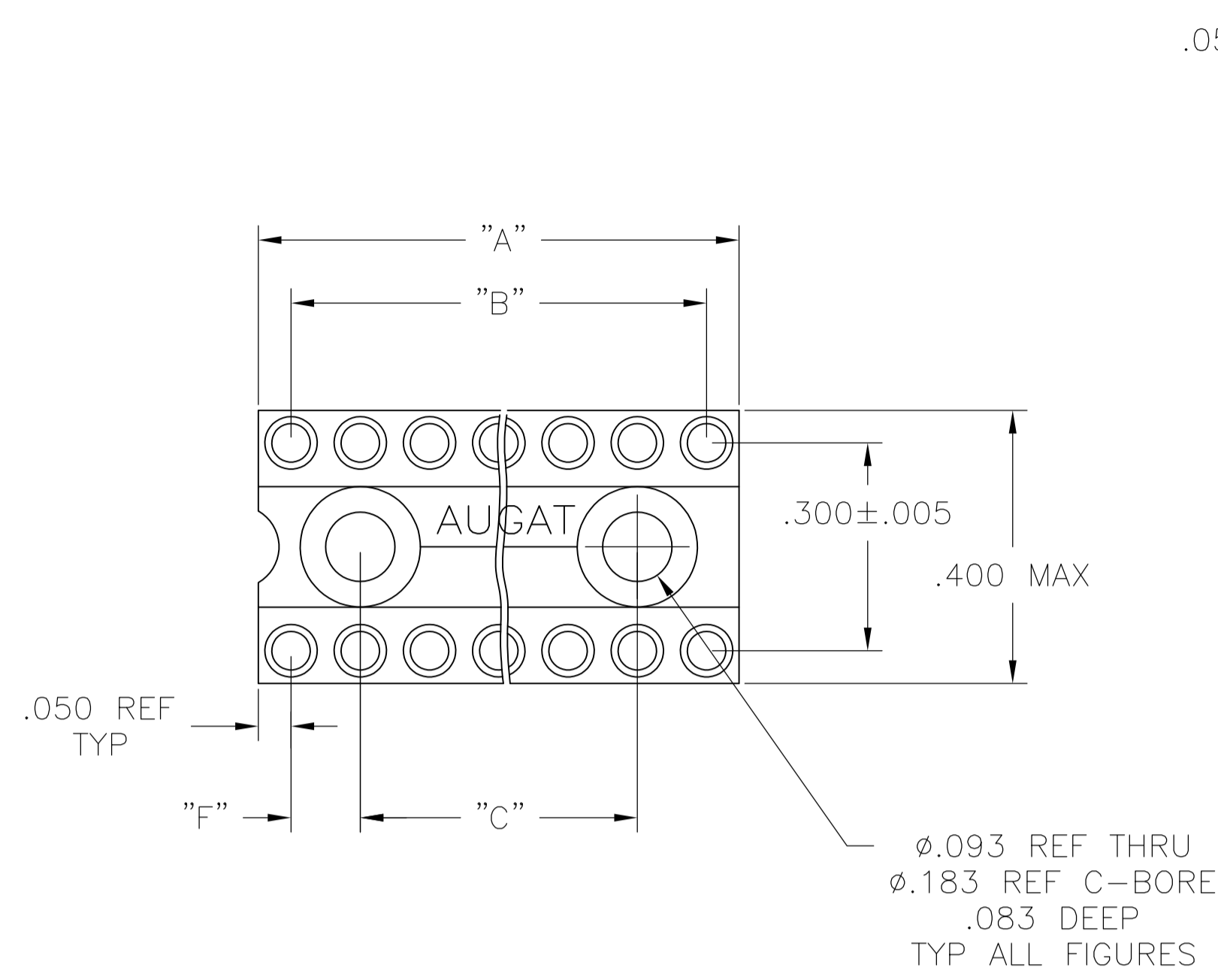


FIG. 1

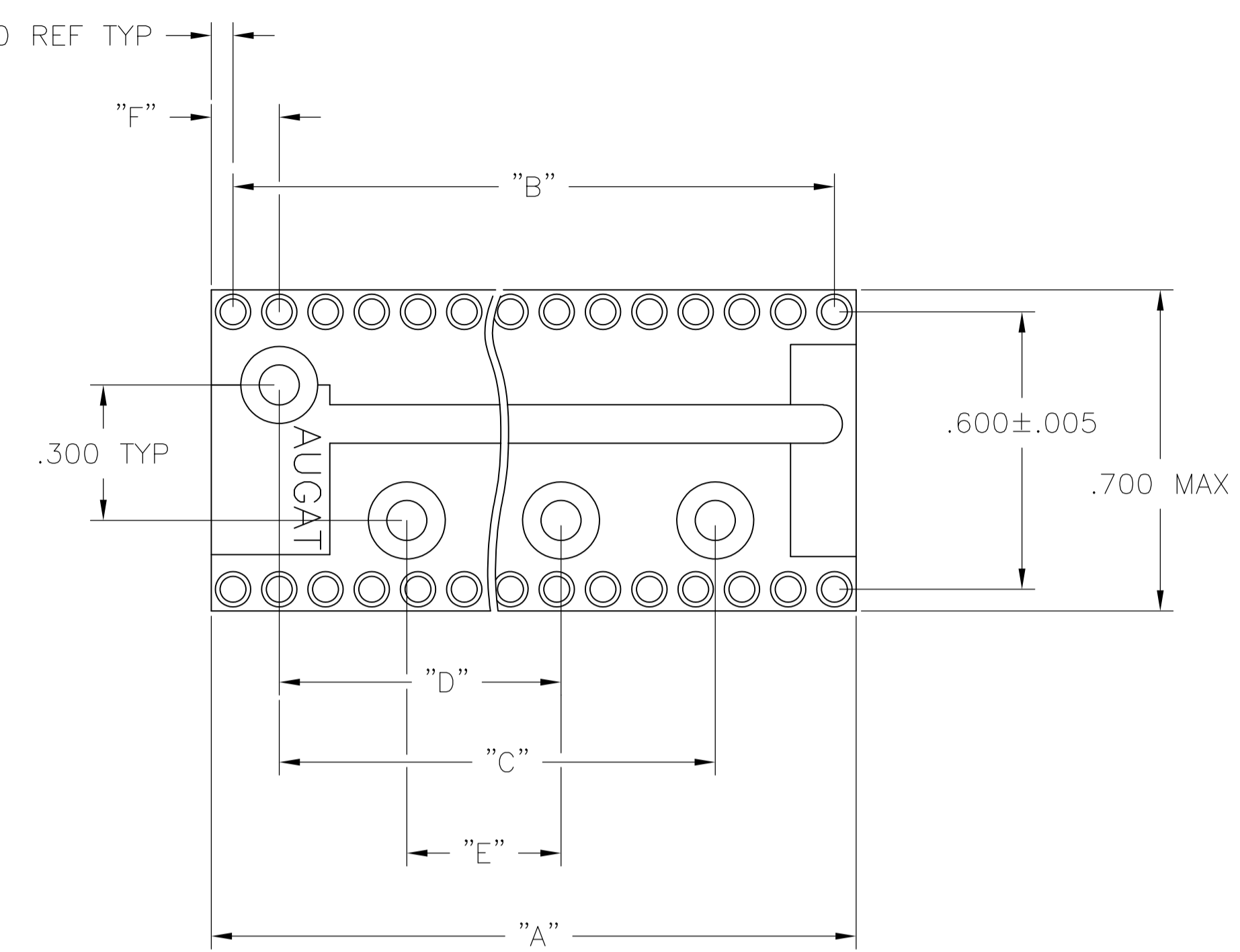


FIG. 2

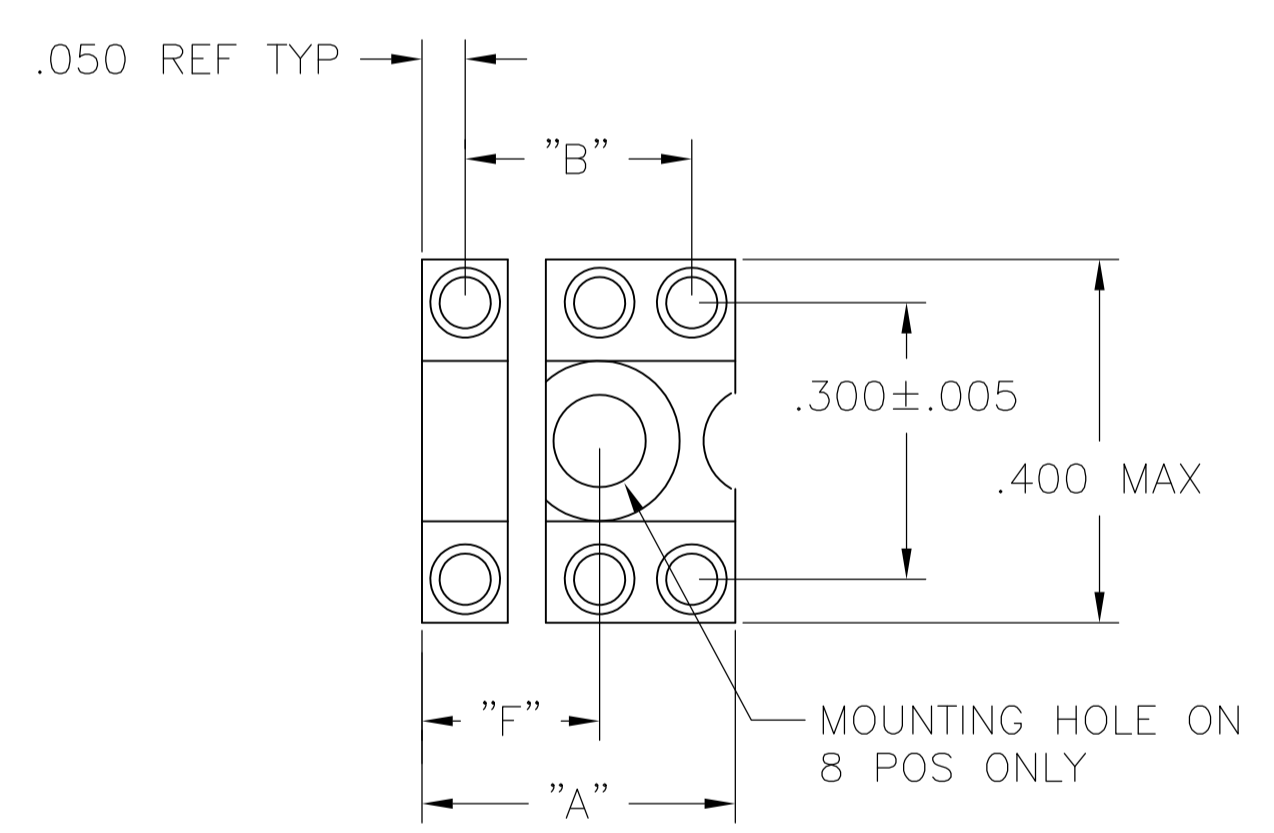


FIG. 3

6 POS MOUNTING HOLE OMITTED

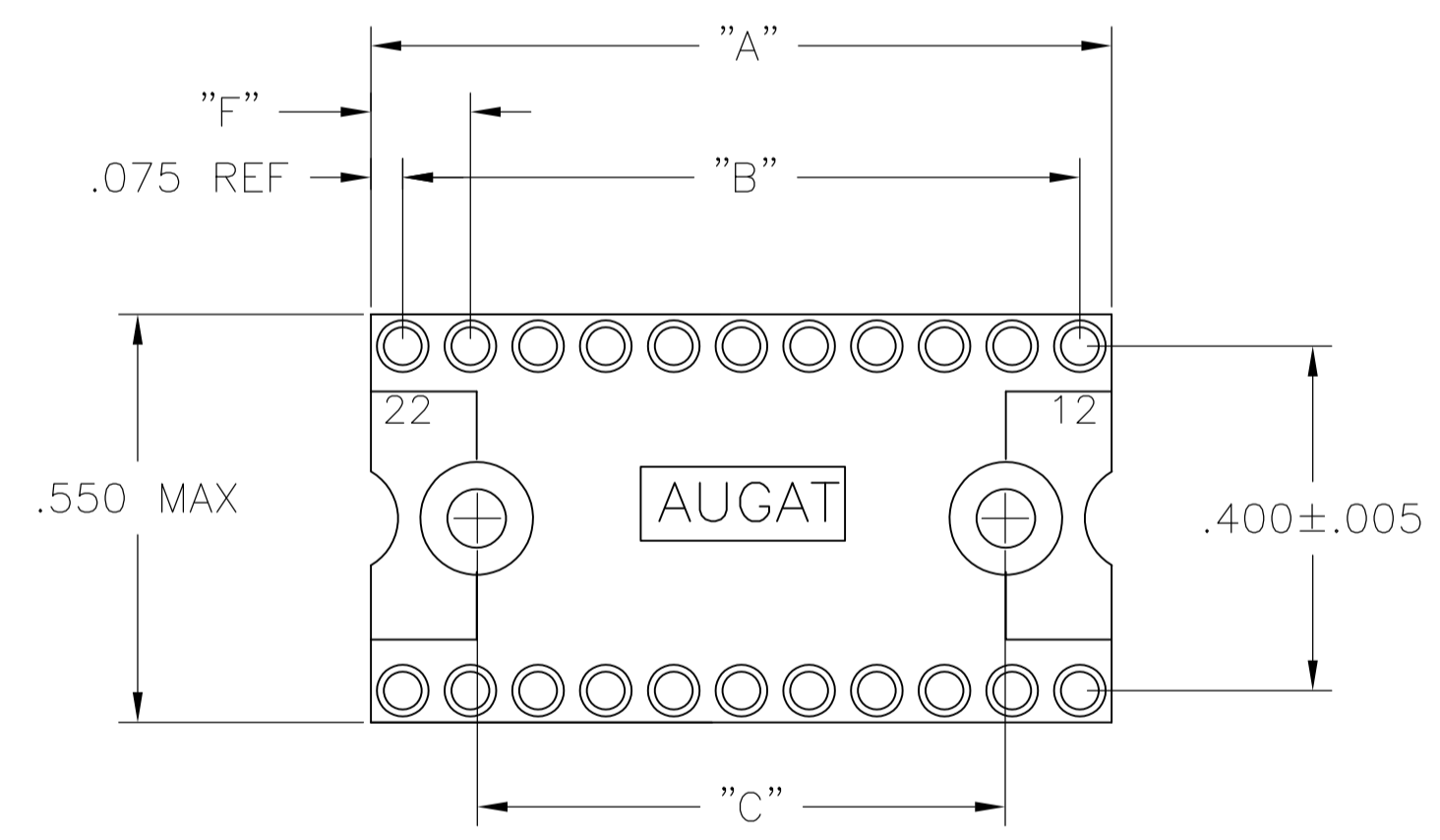
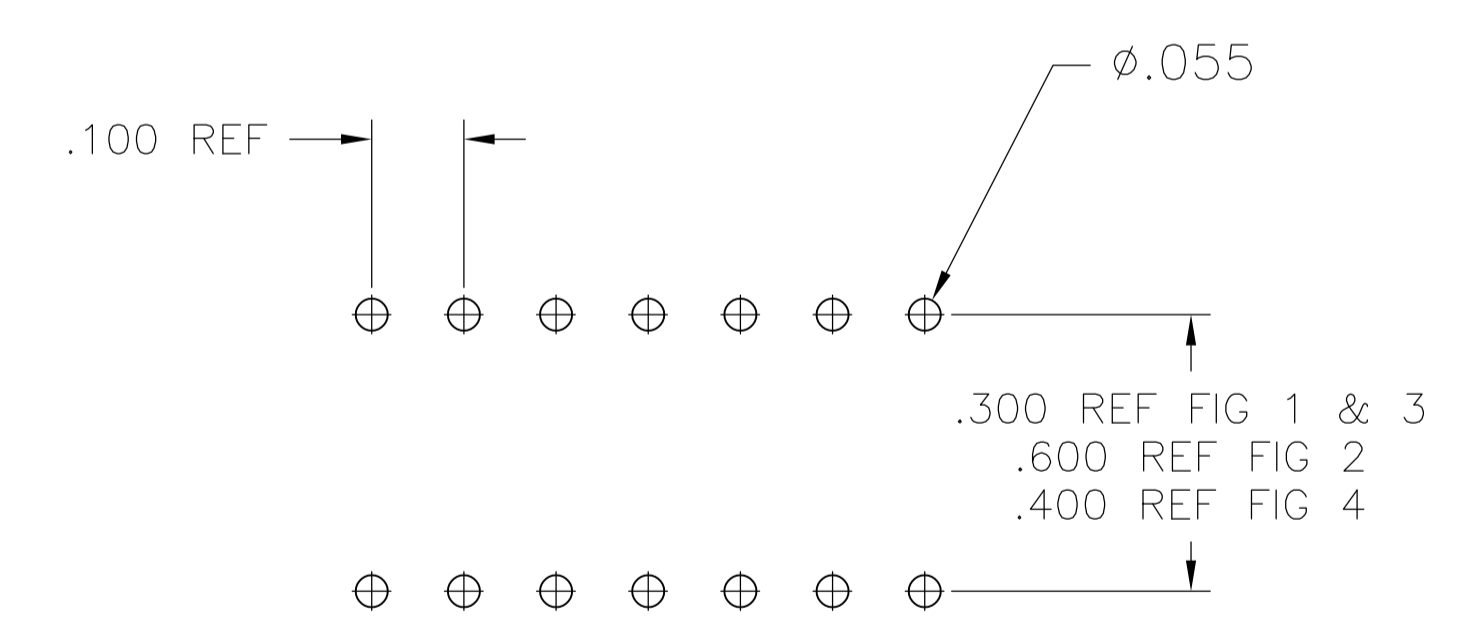
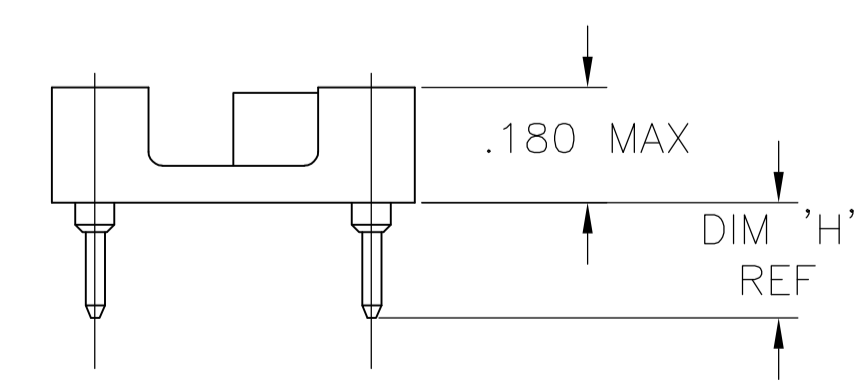
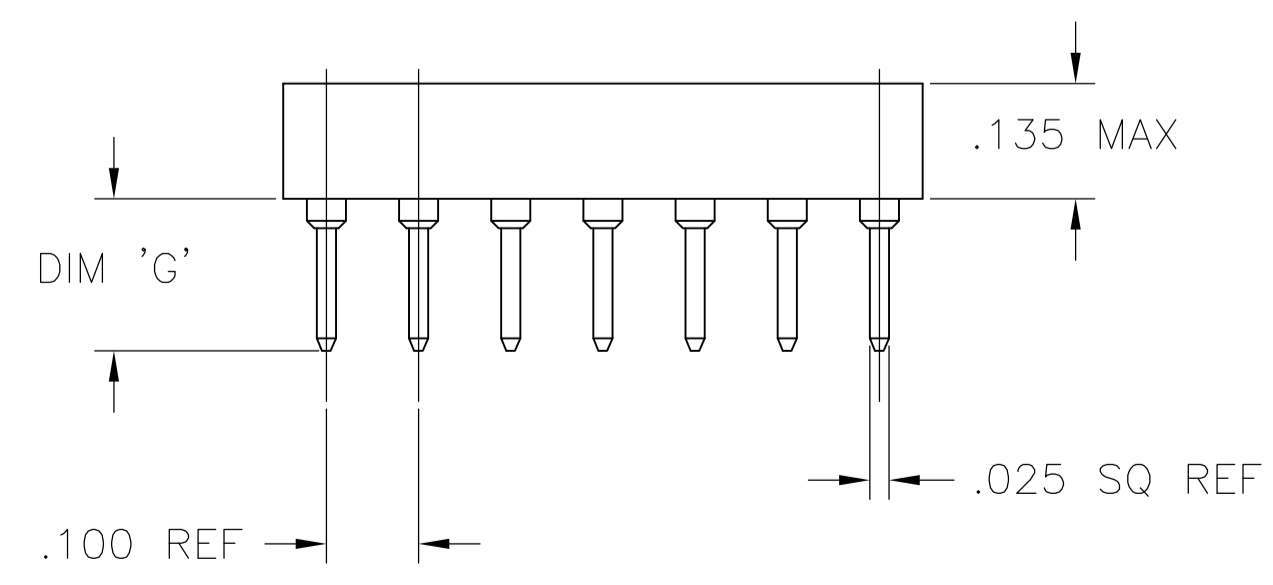


FIG. 4



P.C.B. HOLE LAYOUT
TOLERANCE ±.003



- 1 INSULATOR MATERIAL - THERMOPLASTIC POLYESTER, PCT, BLACK, UL94 V-0.
- 2 CONTACT - 4 BEAM, BECU, MACHINED (PREMIUM) OR STAMPED (ECONOMY, W/SUFFIX -ES OR -ESL)
- 3 SLEEVE - MACHINED COPPER ALLOY.
- 4 PLATING: CONTACT -20 μIN MIN. GOLD OVER 30 μIN MIN NICKEL
SLEEVE -7.5 μIN MIN. GOLD OVER 50 μIN MIN NICKEL
- 5 PLATING: CONTACT -20 μIN MIN. GOLD OVER 30 μIN MIN NICKEL
SLEEVE -80 μIN MIN. TIN-LEAD OVER 50 μIN MIN COPPER
- 6 PLATING: CONTACT -20 μIN MIN. GOLD OVER 30 μIN MIN NICKEL
SLEEVE -180 μIN MIN. TIN-LEAD OVER 50 μIN MIN COPPER
- 7 PLATING: CONTACT -80 μIN MIN. TIN-LEAD OVER 75 μIN MIN COPPER
SLEEVE -80 μIN MIN. TIN-LEAD OVER 50 μIN MIN COPPER
- 8 PLATING: CONTACT -80 μIN MIN. TIN-LEAD OVER 75 μIN MIN COPPER
SLEEVE -180 μIN MIN. TIN-LEAD OVER 50 μIN MIN COPPER
- 9 PLATING: CONTACT -5 μIN MIN. GOLD OVER 50 μIN MIN NICKEL
SLEEVE -7.5 μIN MIN. GOLD OVER 50 μIN MIN NICKEL
- 10 PLATING: CONTACT -5 μIN MIN. GOLD OVER 50 μIN MIN NICKEL
SLEEVE -80 μIN MIN. TIN-LEAD OVER 50 μIN MIN COPPER
- 11 PLATING: CONTACT -5 μIN MIN. GOLD OVER 50 μIN MIN NICKEL
SLEEVE -180 μIN MIN. TIN-LEAD OVER 50 μIN MIN COPPER

ELECTRICAL:

CONTACT RESISTANCE: 10 MILLIOHMS MAX
 CONTACT RATING: 3 AMPS
 CAPACITANCE: 1.0 pF PER MIL-STD-202, METHOD 305
 INSULATION RESISTANCE: 5000 MOHMS MIN @ 500 VDC PER EIA-364-21
 DIELECTRIC WITHSTANDING VOLTAGE: 1000 VOLTS (RMS) PER EIA-364-20

MECHANICAL:

AFTER INSERTION FORCE:
 134 GRAMS AVG (4 BEAM PREMIUM) 179 GRAMS AVG (4 BEAM ECONOMY)
 AFTER WITHDRAWAL FORCE:
 63 GRAMS AVG (4 BEAM PREMIUM OR ECONOMY)

ENVIRONMENTAL:

OPERATING TEMPERATURE: -55°C TO -105°C

SEE SHEETS 2 & 3 FOR PART NUMBER TABLES

| | | | | |
|--|--------|------------------|-----------|---------|
| THIS DRAWING IS A CONTROLLED DOCUMENT. | | DIN | BSV | - |
| DIMENSIONS: INCHES | | CHK | K. WRIGHT | - |
| TOLERANCES UNLESS OTHERWISE SPECIFIED: | | APVD | K. WRIGHT | - |
| 0 PLC | ± - | PRODUCT SPEC | | |
| 1 PLC | ± - | APPLICATION SPEC | | |
| 2 PLC | ± - | WEIGHT | | |
| 3 PLC | ± .005 | SIZE | A1 | 00779 |
| 4 PLC | ± - | CAGE CODE | | 1437532 |
| ANGLES | ± - | DRAWING NO | | 1437532 |
| FINISH | | RESTRICTED TO | | |
| MATERIAL | | CUSTOMER DRAWING | SCALE | 4:1 |
| | | SHEET | 1 | OF 3 |
| | | REV | | 01 |

OBSOLETE
 SUPERCEDED BY 7-1437532-0

OBSOLETE
 SUPERCEDED BY 5-1437532-9

OBSOLETE
 SUPERCEDED BY 8-1437531-7


OBSOLETE
 SUPERCEDED BY 4-1437531-9

OBSOLETE
 SUPERCEDED BY 2-1437531-5

| FINISH | FIG | H | G | F | E | D | C | B | "A" MAX | NO. OF POSN | PART NO. |
|--------|-----|------|-----------|------|------|------|-------|-------|---------|-------------|-------------|
| △7 | 2 | .510 | .595/.565 | .150 | .500 | .900 | 1.500 | 1.900 | 2.000 | 40 | 6-1437534-9 |
| △6 | 2 | .370 | .455/.425 | .150 | .500 | .900 | 1.500 | 1.900 | 2.000 | 40 | 7-1437534-0 |
| △5 | 2 | .510 | .595/.565 | .150 | .500 | .900 | 1.500 | 1.900 | 2.000 | 40 | 8-1437532-2 |
| △4 | 2 | .370 | .455/.425 | .150 | .500 | .900 | 1.500 | 1.900 | 2.000 | 40 | 7-1437532-9 |
| △4 | 2 | .510 | .595/.565 | .150 | .500 | .900 | 1.500 | 1.900 | 2.000 | 40 | 7-1437532-8 |
| △7 | 2 | .510 | .595/.565 | .150 | .500 | .900 | 1.500 | 1.700 | 1.800 | 36 | 7-1437532-3 |
| △5 | 2 | .510 | .595/.565 | .150 | .500 | .900 | 1.500 | 1.700 | 1.800 | 36 | 7-1437833-0 |
| △4 | 2 | .510 | .595/.565 | .150 | .500 | .900 | 1.500 | 1.700 | 1.800 | 36 | 7-1437532-0 |
| △6 | 2 | .370 | .455/.425 | .150 | - | .400 | .900 | 1.500 | 1.600 | 32 | 6-1437532-4 |
| △5 | 2 | .510 | .595/.565 | .150 | - | .400 | .900 | 1.500 | 1.600 | 32 | 6-1437532-3 |
| △4 | 2 | .370 | .455/.425 | .150 | - | .400 | .900 | 1.500 | 1.600 | 32 | 6-1447289-3 |
| △4 | 2 | .510 | .595/.565 | .150 | - | .400 | .900 | 1.500 | 1.600 | 32 | 5-1437532-9 |
| △7 | 2 | .510 | .595/.565 | .150 | - | .400 | .900 | 1.300 | 1.400 | 28 | 5-1437534-3 |
| △6 | 2 | .370 | .455/.425 | .150 | - | .400 | .900 | 1.300 | 1.400 | 28 | 4-1437532-0 |
| △5 | 2 | .510 | .595/.565 | .150 | - | .400 | .900 | 1.300 | 1.400 | 28 | 3-1437532-9 |
| △4 | 2 | .510 | .595/.565 | .150 | - | .400 | .900 | 1.300 | 1.400 | 28 | 3-1437532-4 |
| △5 | 4 | .510 | .595/.565 | .150 | - | - | .900 | 1.100 | 1.200 | 24 | 2-1437532-6 |
| △4 | 4 | .510 | .595/.565 | .150 | - | - | .900 | 1.100 | 1.200 | 24 | 2-1437532-4 |
| △7 | 2 | .510 | .595/.565 | .150 | - | .400 | .900 | 1.100 | 1.200 | 24 | 1-1437532-8 |
| △6 | 2 | .370 | .455/.425 | .150 | - | .400 | .900 | 1.100 | 1.200 | 24 | 1-1437532-6 |
| △5 | 2 | .510 | .595/.565 | .150 | - | .400 | .900 | 1.100 | 1.200 | 24 | 1-1437532-5 |
| △4 | 2 | .370 | .455/.425 | .150 | - | .400 | .900 | 1.100 | 1.200 | 24 | 1-1437532-2 |
| △4 | 2 | .510 | .595/.565 | .150 | - | .400 | .900 | 1.100 | 1.200 | 24 | 1-1437532-1 |
| △7 | 1 | .510 | .595/.565 | .175 | - | - | .800 | 1.000 | 1.150 | 22 | 1437532-4 |
| △5 | 1 | .510 | .595/.565 | .175 | - | - | .800 | 1.000 | 1.150 | 22 | 4-1437534-9 |
| △4 | 1 | .510 | .595/.565 | .175 | - | - | .800 | 1.000 | 1.150 | 22 | 1437532-1 |
| △8 | 1 | .370 | .455/.425 | .250 | - | - | .500 | .900 | 1.000 | 20 | 8-1437531-8 |
| △7 | 1 | .510 | .595/.565 | .250 | - | - | .500 | .900 | 1.000 | 20 | 8-1437531-7 |
| △6 | 1 | .370 | .455/.425 | .250 | - | - | .500 | .900 | 1.000 | 20 | 8-1437531-5 |
| △5 | 1 | .510 | .595/.565 | .250 | - | - | .500 | .900 | 1.000 | 20 | 8-1437531-4 |
| △4 | 1 | .370 | .455/.425 | .250 | - | - | .500 | .900 | 1.000 | 20 | 8-1437531-1 |
| △4 | 1 | .510 | .595/.565 | .250 | - | - | .500 | .900 | 1.000 | 20 | 8-1437531-0 |
| △6 | 1 | .370 | .455/.425 | .150 | - | - | .600 | .800 | .900 | 18 | 7-1437531-2 |
| △5 | 1 | .510 | .595/.565 | .150 | - | - | .600 | .800 | .900 | 18 | 7-1437531-1 |
| △4 | 1 | .510 | .595/.565 | .150 | - | - | .600 | .800 | .900 | 18 | 6-1437531-6 |
| △8 | 1 | .370 | .455/.425 | .150 | - | - | .500 | .700 | .800 | 16 | 5-1437531-0 |
| △7 | 1 | .510 | .595/.565 | .150 | - | - | .500 | .700 | .800 | 16 | 4-1437531-9 |
| △6 | 1 | .370 | .455/.425 | .150 | - | - | .500 | .700 | .800 | 16 | 4-1437531-6 |
| △5 | 1 | .510 | .595/.565 | .150 | - | - | .500 | .700 | .800 | 16 | 4-1437531-5 |
| △4 | 1 | .370 | .455/.425 | .150 | - | - | .500 | .700 | .800 | 16 | 4-1437531-2 |
| △4 | 1 | .510 | .595/.565 | .150 | - | - | .500 | .700 | .800 | 16 | 4-1437531-1 |
| △8 | 1 | .370 | .455/.425 | .150 | - | - | .400 | .600 | .700 | 14 | 2-1437531-6 |
| △7 | 1 | .510 | .595/.565 | .150 | - | - | .400 | .600 | .700 | 14 | 2-1437531-5 |
| △6 | 1 | .370 | .455/.425 | .150 | - | - | .400 | .600 | .700 | 14 | 2-1437531-3 |
| △5 | 1 | .510 | .595/.565 | .150 | - | - | .400 | .600 | .700 | 14 | 2-1437531-2 |
| △4 | 1 | .370 | .455/.425 | .150 | - | - | .400 | .600 | .700 | 14 | 1-1437531-9 |
| △4 | 1 | .510 | .595/.565 | .150 | - | - | .400 | .600 | .700 | 14 | 1-1437531-8 |
| △7 | 3 | .510 | .595/.565 | .200 | - | - | - | .300 | .400 | 8 | 8-1437529-4 |
| △6 | 3 | .370 | .455/.425 | .200 | - | - | - | .300 | .400 | 8 | 8-1437529-2 |
| △5 | 3 | .510 | .595/.565 | .200 | - | - | - | .300 | .400 | 8 | 8-1437529-1 |
| △4 | 3 | .370 | .455/.425 | .200 | - | - | - | .300 | .400 | 8 | 7-1437529-7 |
| △4 | 3 | .510 | .595/.565 | .200 | - | - | - | .300 | .400 | 8 | 7-1437529-6 |
| △6 | 3 | .370 | .455/.425 | - | - | - | - | .200 | .300 | 6 | 7-1437529-0 |
| △5 | 3 | .510 | .595/.565 | - | - | - | - | .200 | .300 | 6 | 6-1437529-9 |
| △4 | 3 | .510 | .595/.565 | - | - | - | - | .200 | .300 | 6 | 6-1437529-6 |

PREMIUM VERSION PART NUMBERS

SEE SHEET 3 FOR ECONOMY VERSION PART NUMBERS

| | | | | |
|--|---------------|------------------|-----------|---|
| THIS DRAWING IS A CONTROLLED DOCUMENT. | | DWN BSV | - |  TE Connectivity |
| DIMENSIONS: INCHES | | CHK K.WRIGHT | - | |
| TOLERANCES UNLESS OTHERWISE SPECIFIED: | | APVD K.WRIGHT | - | NAME |
| 0. PLC ± .005 | 1. PLC ± .005 | PRODUCT SPEC | - | CLOSED FRAME DIP, PREMIUM LEAD FREE (REF AUGAT 500 SERIES) |
| 2. PLC ± .005 | 3. PLC ± .005 | APPLICATION SPEC | - | PREMIUM (MACHINED CONTACT) |
| 4. PLC ± .005 | ANGLES ± .005 | SIZE | A1 | CAGE CODE DRAWING NO |
| MATERIAL | FINISH | WEIGHT | - | RESTRICTED TO |
| | | CUSTOMER DRAWING | SCALE 4:1 | SHEET 2 OF 3 |
| | | | | REV 01 |

| | | | | | | | | | | | | |
|---------------------------|--|---|------|-----------|------|------|------|-------|-------|-------|----|-------------|
| SUPERCEDED BY 8-1437532-2 | | 2 | .510 | .595/.565 | .150 | .500 | .900 | 1.500 | 1.900 | 2.000 | 40 | 7-1437536-8 |
| SUPERCEDED BY 8-1437532-2 | | 2 | .510 | .595/.565 | .150 | .500 | .900 | 1.500 | 1.900 | 2.000 | 40 | 7-1437536-7 |
| SUPERCEDED BY 6-1437532-3 | | 2 | .510 | .595/.565 | .150 | - | .400 | .900 | 1.500 | 1.600 | 32 | 6-1437536-7 |
| SUPERCEDED BY 6-1437532-3 | | 2 | .510 | .595/.565 | .150 | - | .400 | .900 | 1.500 | 1.600 | 32 | 6-1437536-6 |
| SUPERCEDED BY 3-1437532-9 | | 2 | .510 | .595/.565 | .150 | - | .400 | .900 | 1.300 | 1.400 | 28 | 5-1437536-9 |
| SUPERCEDED BY 3-1437532-9 | | 2 | .510 | .595/.565 | .150 | - | .400 | .900 | 1.300 | 1.400 | 28 | 5-1437536-8 |
| SUPERCEDED BY 3-1437532-4 | | 2 | .510 | .595/.565 | .150 | - | .400 | .900 | 1.300 | 1.400 | 28 | 5-1437536-4 |
| SUPERCEDED BY 2-1437532-6 | | 4 | .510 | .595/.565 | .150 | - | .400 | .900 | 1.100 | 1.200 | 24 | 5-1437536-1 |
| SUPERCEDED BY 1-1437532-5 | | 2 | .510 | .595/.565 | .150 | - | .400 | .900 | 1.100 | 1.200 | 24 | 4-1437536-4 |
| SUPERCEDED BY 1-1437532-5 | | 2 | .510 | .595/.565 | .150 | - | .400 | .900 | 1.100 | 1.200 | 24 | 4-1437536-3 |
| SUPERCEDED BY 4-1437534-9 | | 1 | .510 | .595/.565 | .175 | - | - | .800 | 1.000 | 1.150 | 22 | 3-1437536-6 |
| SUPERCEDED BY 8-1437531-4 | | 1 | .510 | .595/.565 | .250 | - | - | .500 | .900 | 1.000 | 20 | 2-1437536-9 |
| SUPERCEDED BY 8-1437531-4 | | 1 | .510 | .595/.565 | .250 | - | - | .500 | .900 | 1.000 | 20 | 2-1437536-8 |
| SUPERCEDED BY 8-1437531-0 | | 1 | .510 | .595/.565 | .250 | - | - | .500 | .900 | 1.000 | 20 | 2-1437536-4 |
| SUPERCEDED BY 7-1437531-1 | | 1 | .510 | .595/.565 | .150 | - | - | .600 | .800 | .900 | 18 | 1-1437536-8 |
| SUPERCEDED BY 7-1437531-1 | | 1 | .510 | .595/.565 | .150 | - | - | .600 | .800 | .900 | 18 | 1-1437536-7 |
| SUPERCEDED BY 6-1437531-6 | | 1 | .510 | .595/.565 | .150 | - | - | .600 | .800 | .900 | 18 | 6-1437531-7 |
| SUPERCEDED BY 4-1437531-5 | | 1 | .510 | .595/.565 | .150 | - | - | .500 | .700 | .800 | 16 | 4-1437531-7 |
| SUPERCEDED BY 4-1437531-5 | | 1 | .510 | .595/.565 | .150 | - | - | .500 | .700 | .800 | 16 | 1437536-9 |
| SUPERCEDED BY 4-1437531-6 | | 1 | .370 | .455/.425 | .150 | - | - | .500 | .700 | .800 | 16 | 1437536-8 |
| SUPERCEDED BY 4-1437531-1 | | 1 | .510 | .595/.565 | .150 | - | - | .500 | .700 | .800 | 16 | 1437536-4 |
| SUPERCEDED BY 2-1437531-2 | | 1 | .510 | .595/.565 | .150 | - | - | .400 | .600 | .700 | 14 | 9-1437535-6 |
| SUPERCEDED BY 2-1437531-2 | | 1 | .510 | .595/.565 | .150 | - | - | .400 | .600 | .700 | 14 | 9-1437535-5 |
| SUPERCEDED BY 1-1437531-8 | | 1 | .510 | .595/.565 | .150 | - | - | .400 | .600 | .700 | 14 | 9-1437535-2 |
| SUPERCEDED BY 8-1437529-1 | | 3 | .510 | .595/.565 | .200 | - | - | - | .300 | .400 | 8 | 1-1437535-7 |
| SUPERCEDED BY 8-1437529-1 | | 3 | .510 | .595/.565 | .200 | - | - | - | .300 | .400 | 8 | 1-1437535-6 |
| SUPERCEDED BY 6-1437529-9 | | 3 | .510 | .595/.565 | - | - | - | - | .200 | .300 | 6 | 1-1437535-0 |
| SUPERCEDED BY 6-1437529-6 | | 3 | .510 | .595/.565 | - | - | - | - | .200 | .300 | 6 | 6-1437529-7 |

| FINISH | FIG | H | G | F | E | D | C | B | "A" MAX | NO. OF POSN | PART NO. |
|--------|-----|---|---|---|---|---|---|---|---------|-------------|----------|
|--------|-----|---|---|---|---|---|---|---|---------|-------------|----------|

ECONOMY VERSION PART NUMBERS

SEE SHEET 2 FOR PREMIUM VERSION PART NUMBERS

| | | | | |
|--|--------|------------------|---|--------------|
| THIS DRAWING IS A CONTROLLED DOCUMENT. | | DIN | BSV | - |
| DIMENSIONS: INCHES | | CHK | K. WRIGHT | - |
| TOLERANCES UNLESS OTHERWISE SPECIFIED: | | NAME | CLOSED FRAME DIP, PREMIUM LEAD FREE (REF AUGAT 500 SERIES) PREMIUM (MACHINED CONTACT) | |
| 0. PLC | ± .005 | PRODUCT SPEC | | |
| 1. PLC | ± .005 | APPLICATION SPEC | | |
| 2. PLC | ± .005 | SIZE | A1 | 00779 |
| 3. PLC | ± .005 | WEIGHT | 1437532 | |
| 4. PLC | ± .005 | CUSTOMER DRAWING | | |
| ANGLES | ± .005 | SCALE | 4:1 | SHEET 3 OF 3 |
| MATERIAL | FINISH | RESTRICTED TO | | |

Mouser Electronics

Authorized Distributor

Click to View Pricing, Inventory, Delivery & Lifecycle Information:

[TE Connectivity:](#)

[1-1437532-2](#)