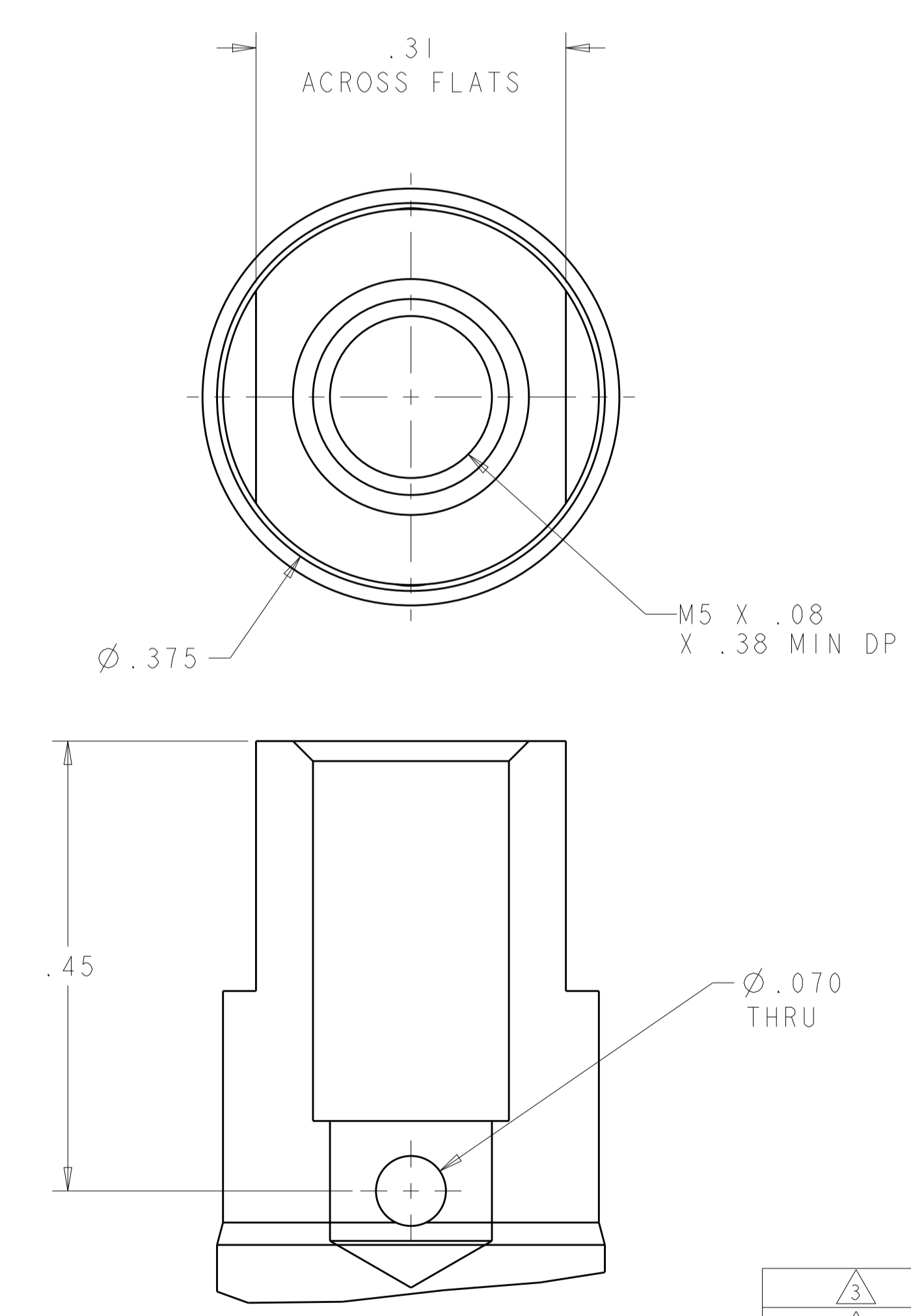
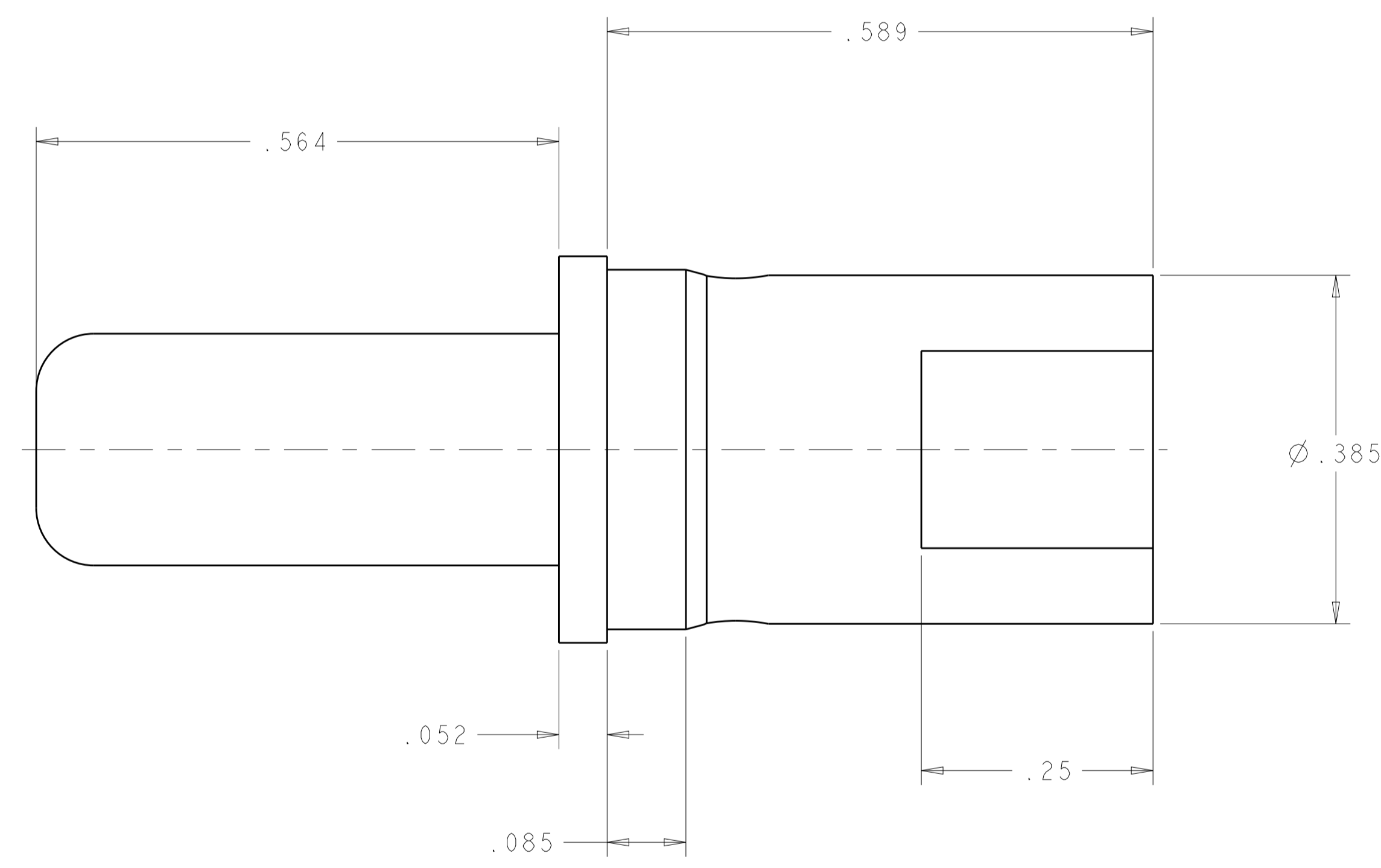
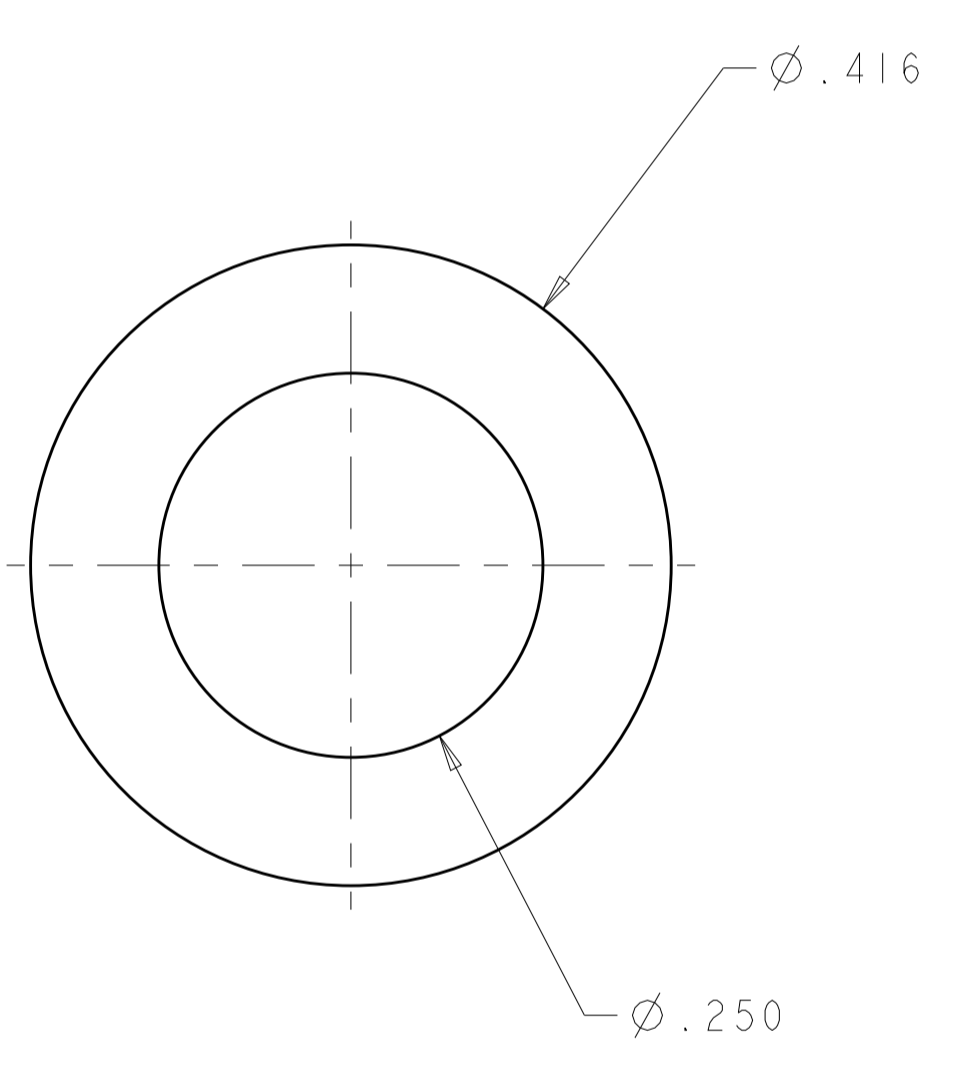


LOC	DIST	REVISIONS					
		P	LTN	DESCRIPTION	DATE	DMN	APVD
GP	00	D		REVISED PER ECO-12-017092	27SEP2012	KH	DO

- MATERIAL: COPPER ALLOY
- SILVER PLATE .000200 MIN THK. OVER NICKEL PLATE .000050 MIN THK. TARNISH RESISTANT COATING OVER ALL
- GOLD PLATE .000030 MIN THK. OVER NICKEL PLATE .000050 MINIMUM THK.
- PART NUMBER CHANGES AND OR DESIGN CHANGES AFFECTING ITEM INTERCHANGEABILITY REQUIRE TYCO ELECTRONICS APPROVAL AND AUTHORIZATION BY REVISION TO THIS DRAWING.



3	1766283-2
2	1766283-1
FINISH	PART NO

THIS DRAWING IS A CONTROLLED DOCUMENT.		DMN: HM VAN SCOY 26MAR2008	TE Connectivity	
DIMENSIONS: INCHES		CHK: D. DEBRAUGH 26MAR2008	STE NAME: CONTACT, PIN, .250 DIA, M5 X .08 INT. THD. TAPPED DRAWER, DOMINO	
TOLERANCES UNLESS OTHERWISE SPECIFIED:		APVD: D. DEBRAUGH 26MAR2008		
0 PLC	±	PRODUCT SPEC	SIZE: A100779 C=1766283	
1 PLC	±.01	APPLICATION SPEC	RESTRICTED TO	
2 PLC	±.03	FINISH	SCALE: 4:1 SHEET 1 OF 1 REV D	
3 PLC	±.003	WEIGHT		
4 PLC	±	CUSTOMER DRAWING		
ANGLES	±°			

Mouser Electronics

Authorized Distributor

Click to View Pricing, Inventory, Delivery & Lifecycle Information:

[TE Connectivity:](#)

[1766283-1](#)