

Introducing
VAL-U-LOK Glow
Wire Connectors

VAL-U-LOK Glow Wire Connectors



Our commitment. Your advantage.

KEY FEATURES

- Meets the requirement of IEC 60335-1
- Mates to standard VAL-U-LOK and Molex Mini-Fit Jr. housings.
- Compatible with standard VAL-U-LOK contacts.

DESCRIPTIONS

VAL-U-LOK connector housings and headers are now available in special Glow Wire compatible material. Glow Wire is a test required by IEC/EN 60335-1 4th Edition: Household and Similar Appliances – Safety. VAL-U-LOK Glow Wire connectors allow manufacturers of home appliances sold into the European market to comply with this standard.

APPLICATIONS

Household Appliances :

- Air Conditioning
- Dishwasher
- Dryers
- Ovens
- Refrigerators
- Washing Machines

ELECTRICAL

Voltage : 600 VAC

Current : 9 amps max. in 2-position applications

Dielectric Withstanding Voltage : 1500 VAC min.

Insulation Resistance : 1000 megohms min.

Operating Temperature : -40°C to +105°C [-40°F to +221°F]

MECHANICAL

Connector Mating : 1.55 lb. [6.90 N] max. per circuit

Connector Unmating : .11 lb. [.49 N] min. per circuit

Contact Retention : 4.88 lb. [21.71 N] min. per contact

Durability : 30 cycles, mating and unmating

MATERIALS

Housings : Glow Wire Compatible

Contacts : Brass or Phos. Bronze with tin plating (Lead-Free) or gold plating

VAL-U-LOK Glow Wire Connectors

PRODUCT OFFERING

Receptacle and Plug Housing (Dual Row)

Number of Positions	A Receptacles		B Plugs	
		Panel Mount		Free Hanging
2	1586765-2	1586861-2	1586862-2	
4	1586765-4	1586861-4	1586862-4	
6	1586765-6	1586861-6	1586862-6	
8	1586765-8	1586861-8	1586862-8	
10	1-1586765-0	1-1586861-0	1-1586862-0	
12	1-1586765-2	1-1586861-2	1-1586862-2	
14	1-1586765-4	1-1586861-4	1-1586862-4	
16	1-1586765-6	1-1586861-6	1-1586862-6	
18	1-1586765-8	1-1586861-8	1-1586862-8	
20	2-1586765-0	2-1586861-0	2-1586862-0	
22	2-1586765-2	2-1586861-2	2-1586862-2	
24	2-1586765-4	2-1586861-4	2-1586862-4	

Headers (Dual Row)

Number of Positions	Vertical w/o pegs w/ dh*	C		D
		Vertical w/ pegs w/ dh*	Vertical w/ pegs w/o dh*	Right Angle w/o pegs
2	1586768-2	2029059-2	2029265-2	1586863-2
4	1586768-4	2029059-4	2029265-4	1586863-4
6	1586768-6	2029059-6	2029265-6	1586863-6
8	1586768-8	2029059-8	2029265-8	1586863-8
10	1-1586768-0	1-2029059-0	1-2029265-0	1-1586863-0
12	1-1586768-2	1-2029059-2	1-2029265-2	1-1586863-2
14	1-1586768-4	1-2029059-4	1-2029265-4	1-1586863-4
16	1-1586768-6	1-2029059-6	1-2029265-6	1-1586863-6
18	1-1586768-8	1-2029059-8	1-2029265-8	1-1586863-8
20	2-1586768-0	2-2029059-0	2-2029265-0	2-1586863-0
22	2-1586768-2	2-2029059-2	2-2029265-2	2-1586863-2
24	2-1586768-4	2-2029059-4	2-2029265-4	2-1586863-4

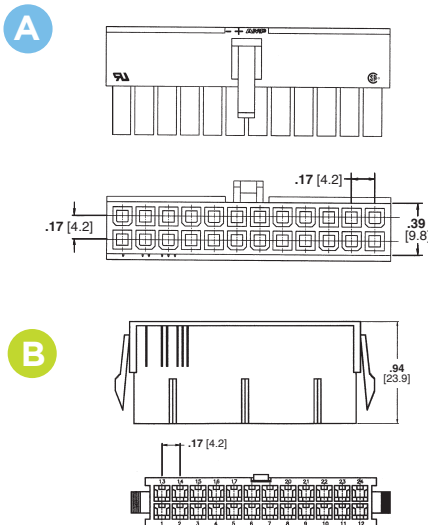
Receptacle and Plug Housing (Single Row)

Number of Positions	A Receptacles		B Plugs	
		Panel Mount		Free Hanging
3	2029112-3	2029110-3	2029111-3	
4	2029178-4	2029177-4	2029180-4	
5	2029178-5	2029177-5	2029180-5	

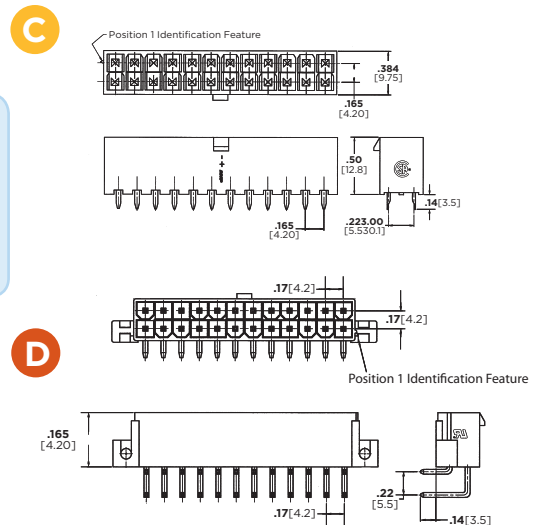
Headers (Single Row)

Number of Positions	Vertical w/ pegs w/ dh	C		D
		Vertical w/ pegs w/o dh	Right Angle w/ pegs	
3		2029113-3	2029181-3	2029154-3
4		2029113-4	2029181-4	2029154-4
5		2029113-5	2029181-5	2029154-5

*dh indicates drain holes



For additional product information including crimp contact selection, please go to www.tycoelectronics.com. Search keyword **VAL-U-LOK**.



FOR MORE INFORMATION

Technical Support

Internet: www.tycoelectronics.com
E-mail: product.info@tycoelectronics.com
USA: 1-800-522-6752
Canada: 1-905-470-4425
Mexico: 1-800-733-8926
C. America: 52-55-1106-0803
South America: 55-11-2103-6000
Hong Kong: 852-2735-1628
Japan: 81-44-844-8013
UK: 44-8706-080208

Tyco Electronics Corporation
Harrisburg, PA

tycoelectronics.com

Copyright 2008 Tyco Electronics Corporation
7-1773453-1 2.5m FP 12/2008
VAL-U-LOK, TE logo and Tyco Electronics are trademarks.
Mini-fit Jr. is a trademark of Molex Incorporated

 **Tyco Electronics**
Our commitment. Your advantage.

Mouser Electronics

Authorized Distributor

Click to View Pricing, Inventory, Delivery & Lifecycle Information:

[TE Connectivity:](#)

[2029181-3](#)