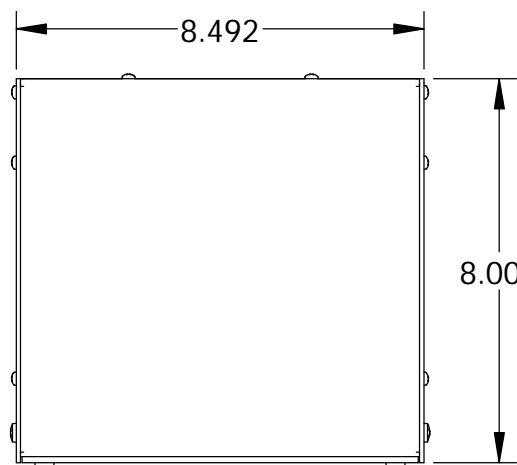
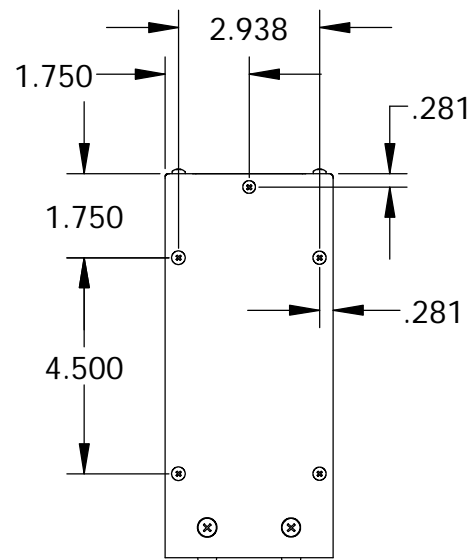


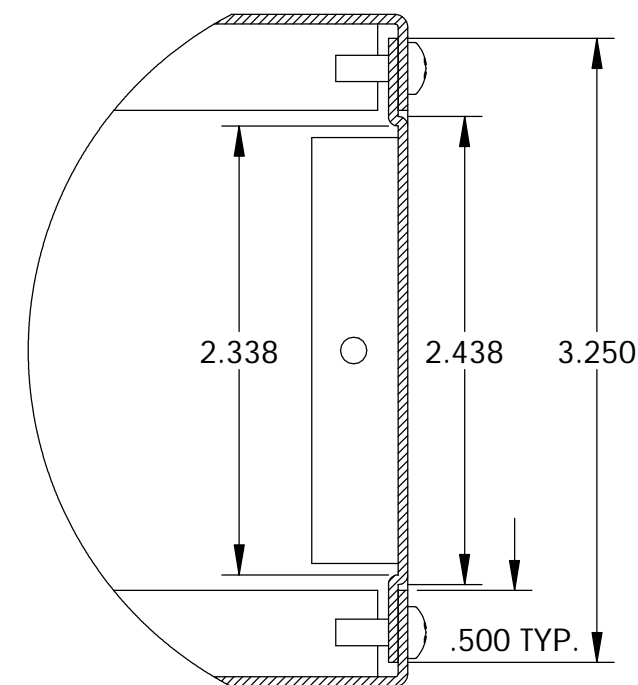
REAR VIEW



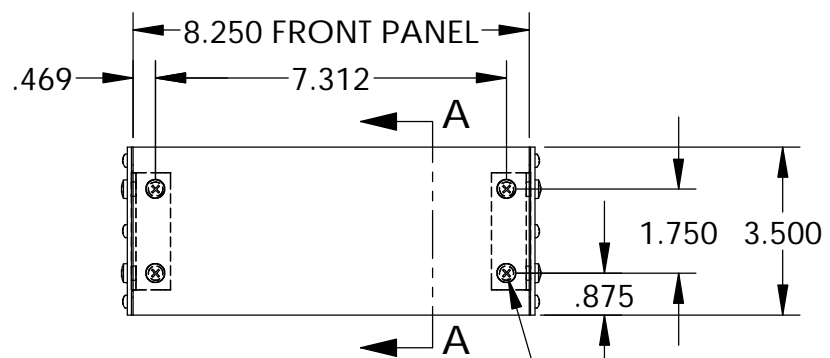
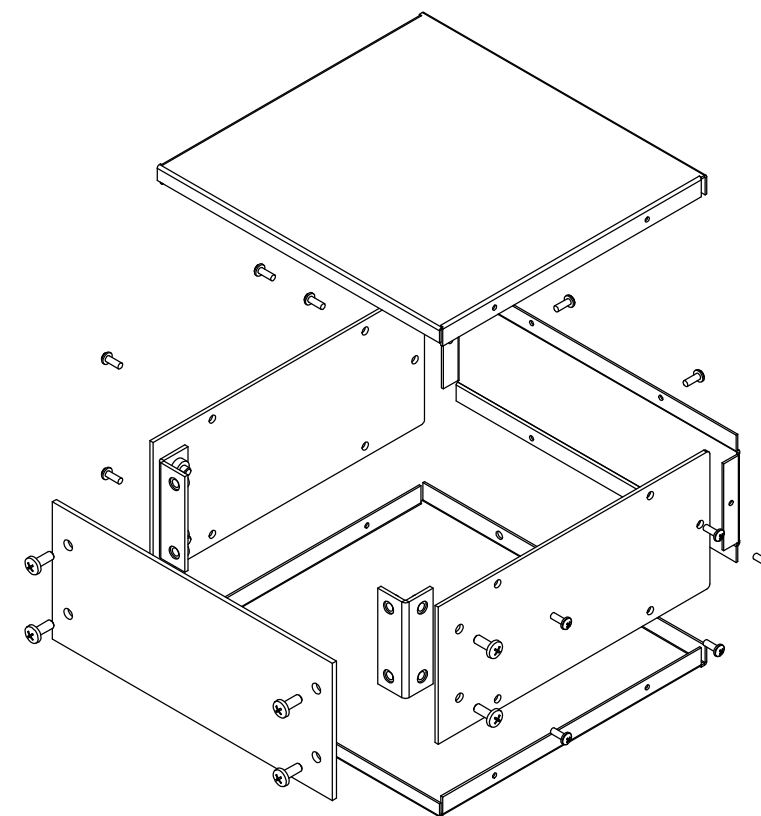
TOP VIEW



SIDE VIEW

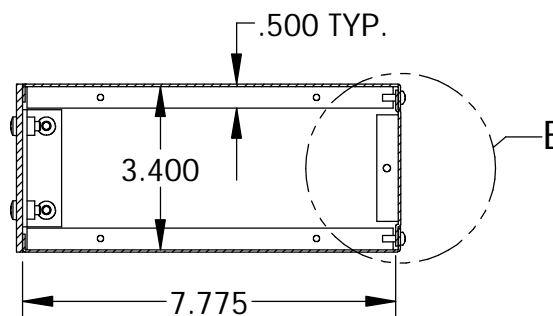


DETAIL B
SCALE 4 : 1

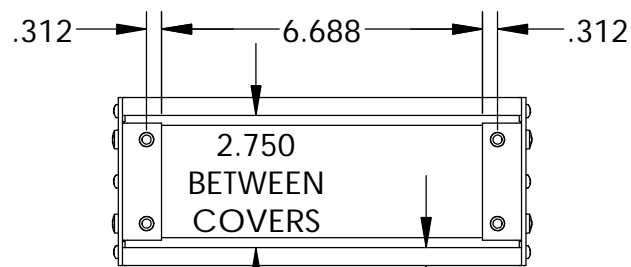


FRONT VIEW

Ø .250 HOLE
IN FRONT PANEL
(4) PLACES



SECTION A-A



FRONT VIEW
(LESS FRONT PANEL)

UNIT SHIPPED UNASSEMBLED.
OPTIONAL SELF-ADHESIVE RUBBER FEET (SUPPLIED)
LOAD RATING: 25 LBS. MAX.

MATERIAL:
BACK & COVERS _____ 0.050 THICK ALUMINUM
SIDES & INNER BRACKETS ____ 0.090 THICK ALUMINUM
FRONT PANEL _____ 0.125 THICK ALUMINUM

FINISH:
BACK & COVERS _____ PREPAINTED SMOOTH WHITE
SIDES _____ WHITE TEXTURED
FRONT PANEL _____ NATURAL (OUTSIDE SURFACE TAPED WITH PVC)
INNER BRACKETS _____ NATURAL
FEET _____ BLACK

Mouser Electronics

Authorized Distributor

Click to View Pricing, Inventory, Delivery & Lifecycle Information:

[Bud Industries:](#)

[NHC-14153](#)