

Max. 58 m³/h

DC axial fans

□ 80 x 25 mm



- **Material:** Housing: GRP¹⁾ (PBT)
Impeller: GRP¹⁾ (PA)
 - **Direction of air flow:** Exhaust over struts
 - **Direction of rotation:** Counterclockwise, looking towards rotor
 - **Connection:** Via single wires AWG 24, TR 64
 - **Highlights:** Automatic speed adjustment with temperature sensor
 - **Weight:** 95 g
- **Possible special versions:** (See chapter DC fans - specials)
 - Speed signal
 - Go / NoGo alarm
 - External temperature sensor
 - Internal temperature sensor
 - Moisture protection

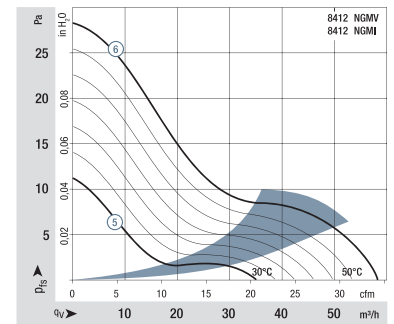
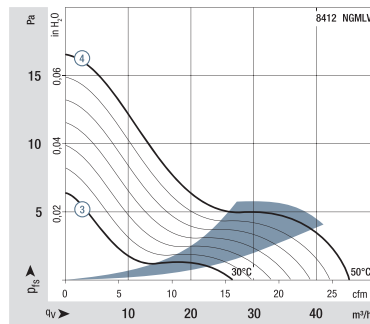
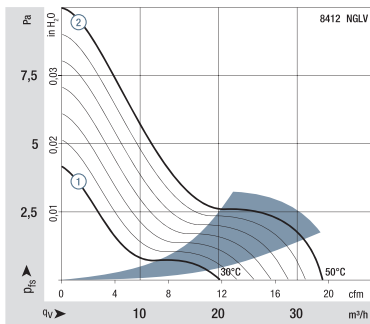
1) Fiberglass-reinforced plastic

Series 8400 N
VARIOFAN

Nominal data

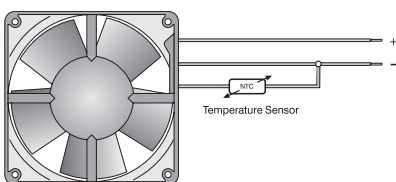
Type	Air flow		Nominal voltage		Voltage range		Sound pressure level		Sound power level		Sinter sleeve bearings Ball bearings		Power consumption		Nominal speed		Temperature range		Service life L ₁₀ (40 °C) ebm-papst standard		Service life L ₁₀ (T _{max}) ebm-papst standard		Life expectancy L ₁₀ (IPC (40 °C) see page 17		Curve	
	m ³ /h	cfm	VDC	VDC	dB(A)	Bel(A)	□ / ■	Watts	rpm ⁻¹	°C	Hours	Hours	Hours	Hours	①	②										
30°C 50°C	8412 NGLV	20 33	11.8 19.4	12	10...14	< 10 12	< 3 3.5	□	0.9 1.1	900 1 500	-20...+65	80 000 / 45 000	135 000	①	②											
30°C 50°C	8412 NGMLV	27 45	15.9 26.6	12	8...14	< 10 19	3.0 3.9	□	1.1 1.5	1 200 2 050	-20...+65	80 000 / 45 000	135 000	③	④											
30°C 50°C	8412 NGMI	35 58	20.6 34.1	12	8...14	< 13 26	3.5 4.3	□	1.4 2.0	1 600 2 600	-20...+65	80 000 / 45 000	135 000	⑤	⑥											

Subject to change



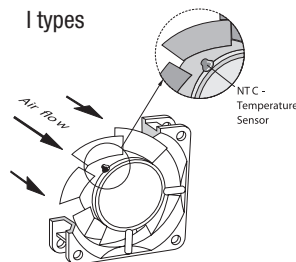
Air performance measured according to: ISO 5801. Installation category A, without contact protection.
Noise: Total sound power level L_{WA} ISO 103002 measured on half-sphere of 2 m; Sound pressure level L_{pA} measured at 1 m distance from fan axis.
The values given are applicable only under the specified measuring conditions and may differ depending on the installation conditions. In the event of deviation from the standard configuration, the parameters must be checked after installation! For detailed information see <http://www.ebmpapst.com/general-conditions>

V types

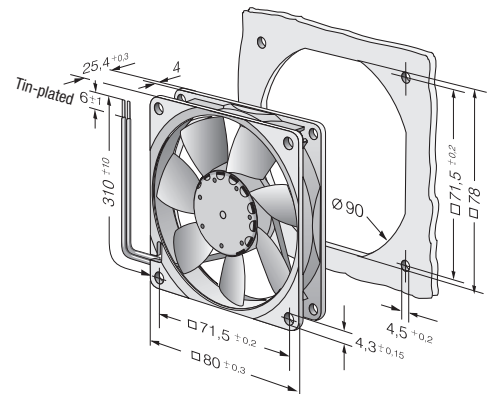


The temperature sensor for controlling the motor speed is not included in the scope of delivery.
For the temperature sensor LZ 370, see accessories.

I types



The temperature sensor (NTC resistor) for controlling the motor speed is positioned in the fan hub directly in the air flow.



Mouser Electronics

Authorized Distributor

Click to View Pricing, Inventory, Delivery & Lifecycle Information:

[ebm-papst:](#)

[8412NGLV](#) [8412NGMLV](#) [8412NGMI](#)