

RECOMMENDED PCB LAYOUT TOP VIEW (THICKNESS: 1.6±0.1mm)

Notes:

1) Materials and Finish

Housing & Tail Guide: Glass fiber filled thermoplastic resin, UL94 V-0 rated, color blue.

Terminals: Copper Alloy, 50u"(1.27um) Min. Ni underplated over all.

Contact area: see table

Tail area: 80u"(2.0um) Min. Matte Tin plated.

Front Shell: Copper Alloy, 50u"(1.27um) Min. Ni plated over all.

Back Shell: Steel, 80u"(2.0um) Min. Ni plated over all.

2) Product specification refer to FCI GS-12-0928.

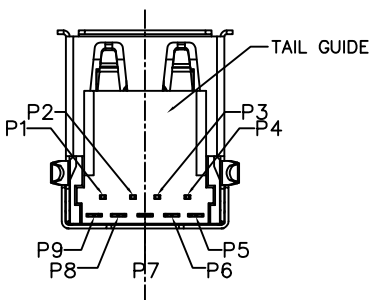
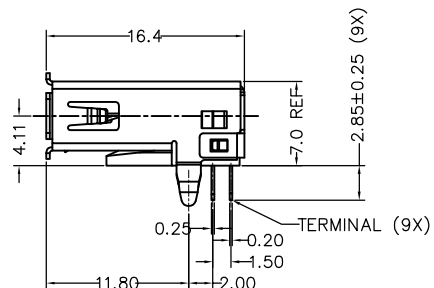
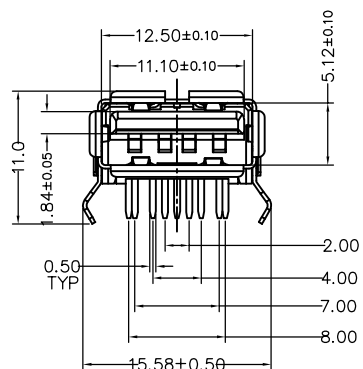
3) Package specification refer to GS-14-2157 .

4) Housing will withstand exposure to 260°C peak temperature for 10 seconds in a convection reflow oven

5) Product meets European Union Directives and other country regulations as described in FCI GS-22-008.

6) Recommended PCB hole is finished plating through hole (PTH) size.

7) Datum Z,Y and basic dimensions were constructed by customer.



PART NUMBER CODE:  
10117835-X0XLF

PLATING OPTION ON CONTACT AREA

1: 30u" (0.76um) Min. gold (Durability: 3500)

2: Gold Flash (Durability:1500)

3: 15u" (0.38um) Min. gold (Durability: 3000)

PACKAGE TYPE

0: TRAY

T: TAPE & REEL

mat'l. code		surface		tolerance		projection		product family	
ASME Y14.5		ASME Y14.5		ASME Y14.5		MM		USB 3.0	
tr		ecn no		dr		date		title	
A		-		BF		01/04/2012		USB 3.0 Standard-A Receptacle	
B		ELX-N-012221		A.ZH		07/16/2012		Right Angle Type	
C		ELX-N-17163		L.Q		03/10/2014		Soldering to Board Termination	
D		ELX-N-17795		L.Q		05/27/2014		dwg no	
E		ELX-N-19547		L.Q		11/21/2014		sheet 1 of 1	
F		ELX-N-21815		L.Q		09/01/2015		size	
sheet index		revision		F		1		10117835	
type		CUSTOMER Drawing		FCI				A4	

# Mouser Electronics

Authorized Distributor

Click to View Pricing, Inventory, Delivery & Lifecycle Information:

[FCI / Amphenol:](#)

[10117835-001LF](#) [10117835-002LF](#) [10117835-T01LF](#) [10117835-003LF](#) [10117835-T03LF](#) [10117835-T02LF](#)