

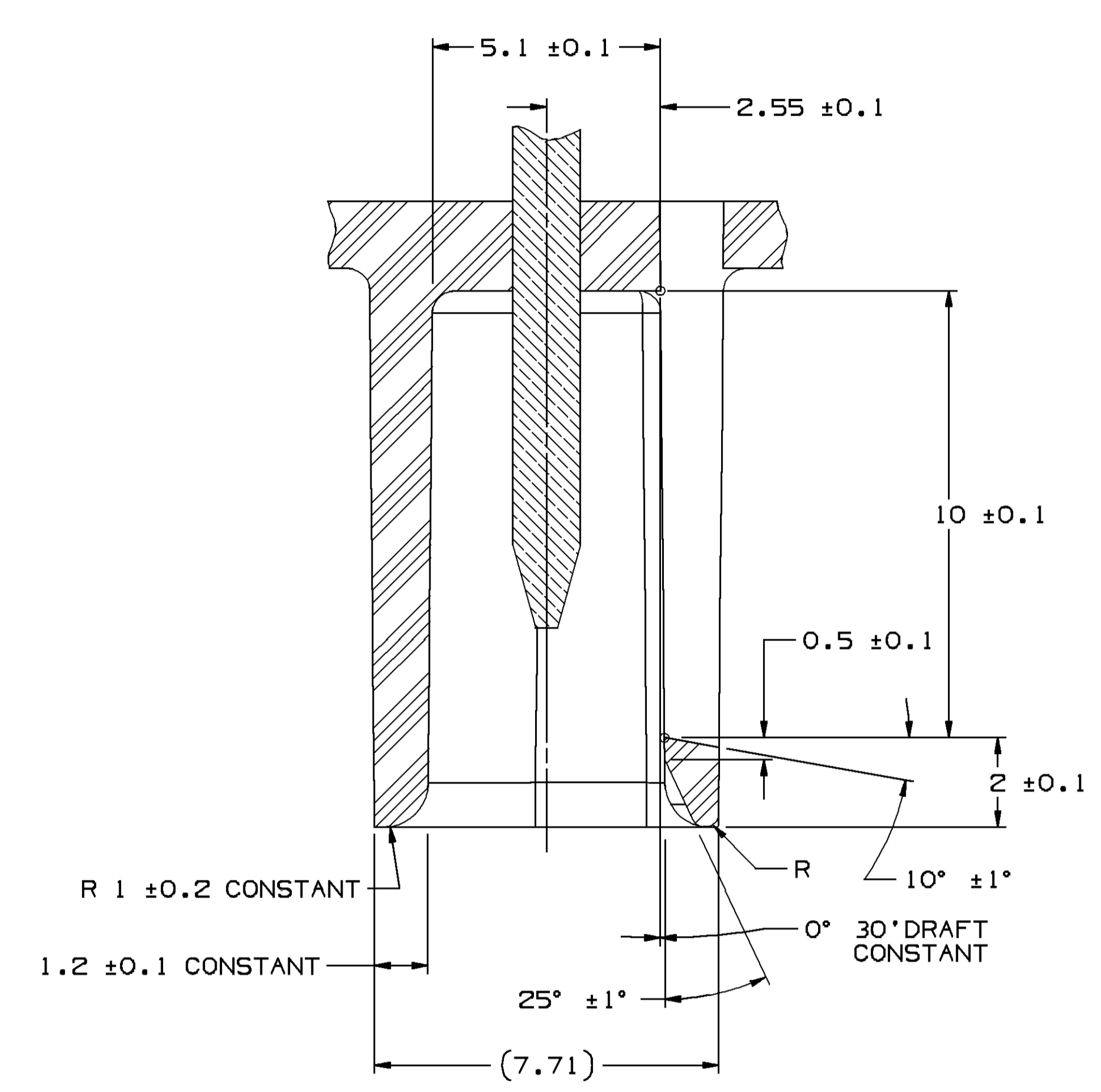
RECOMMENDED MATERIAL:  
P-1546 (CA210) BRASS-EXTRA  
SPRING TEMPER-TIN PLATED

PLATING THICKNESS: 0.003-0.005MM

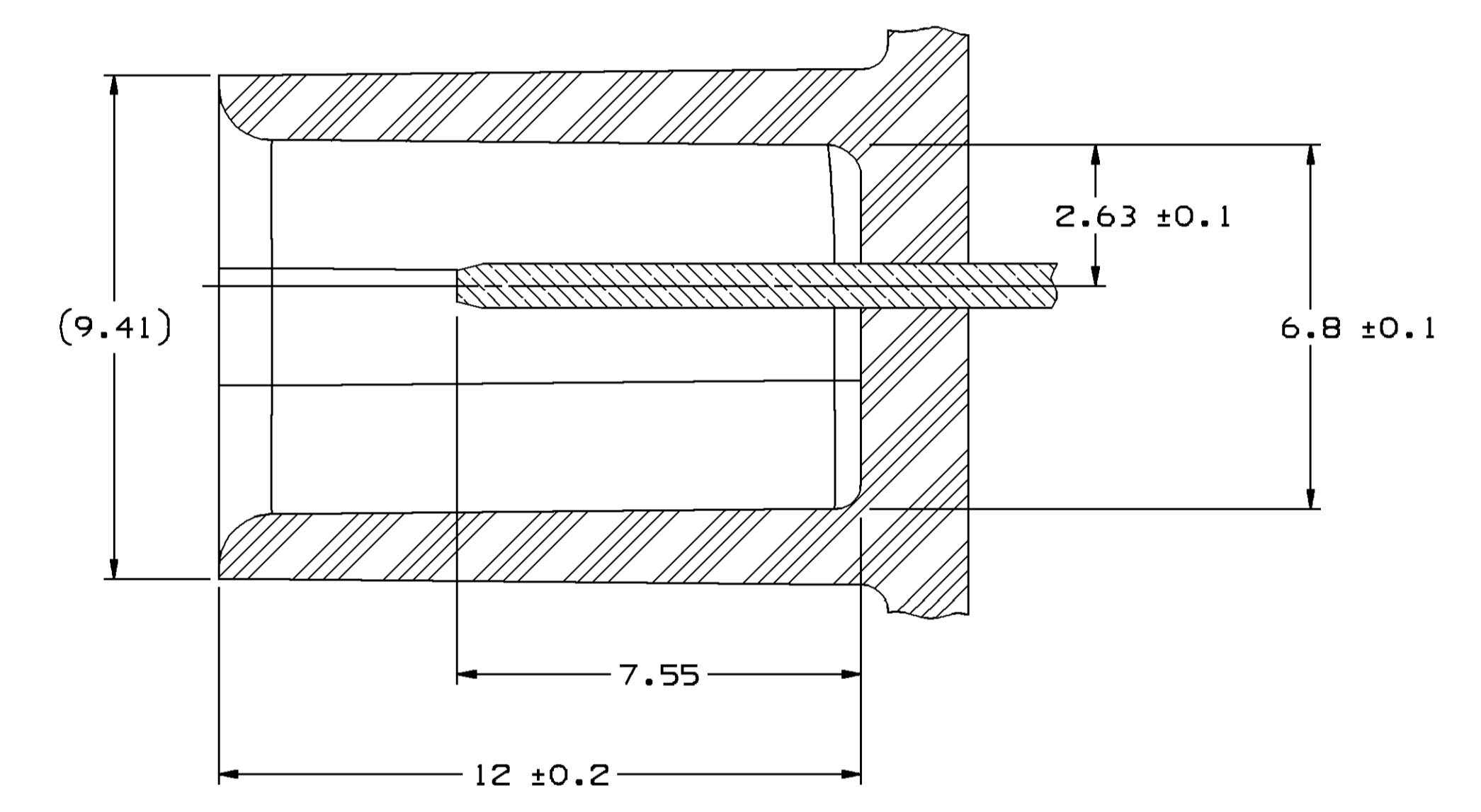
TENSILE STRENGTH: 430 MPa

NOTE - USE OF MATERIAL WITH A CONDUCTIVITY  
≈20% IACS AT 68°F SHOULD BE APPROVED  
BY PACKARD ELECTRIC.

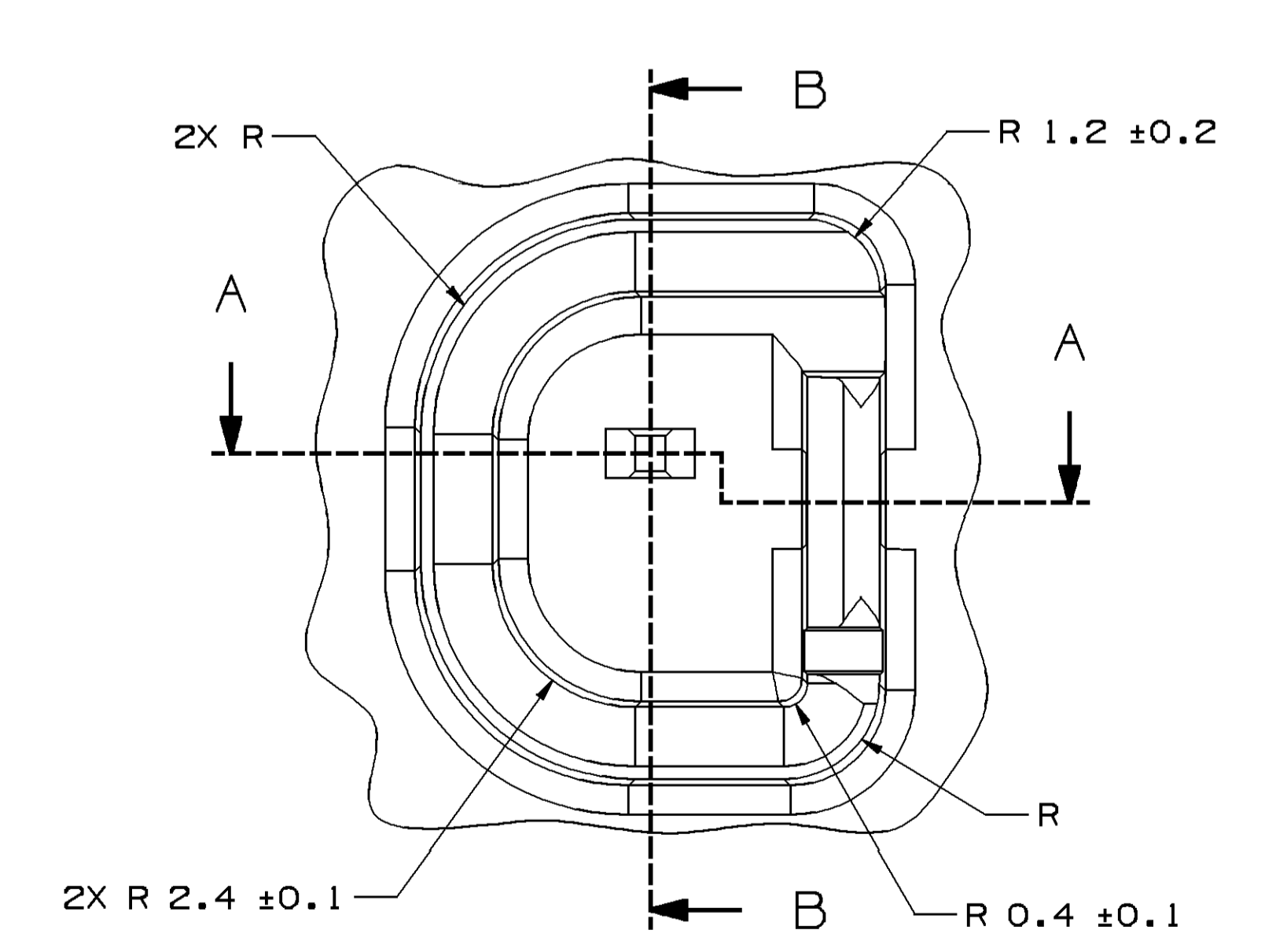
MATING TERMINAL INFORMATION  
SCALE 10:1



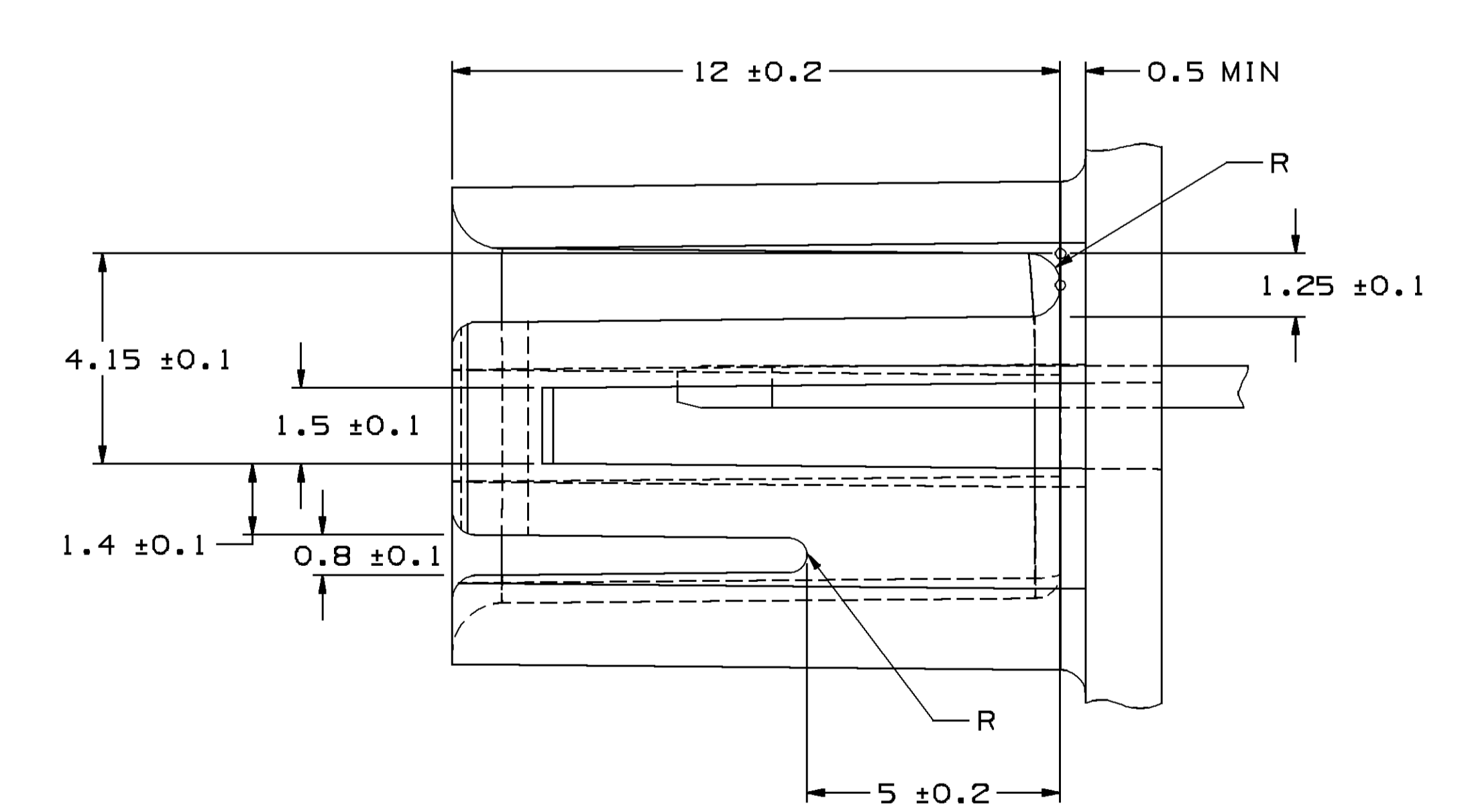
SECTION A-A



SECTION B-B

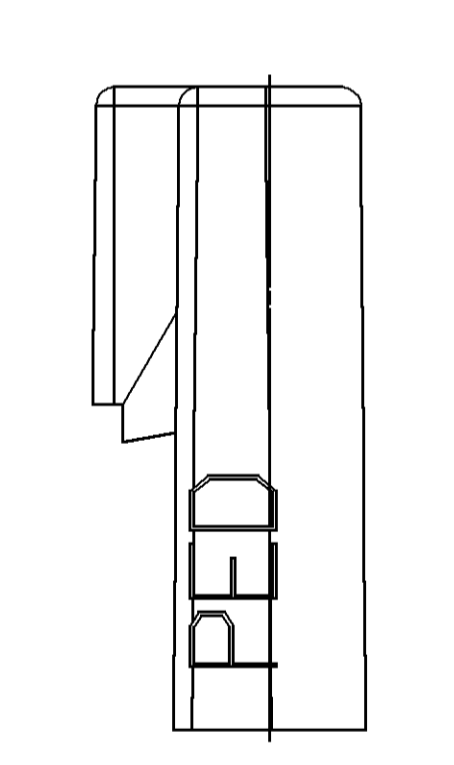
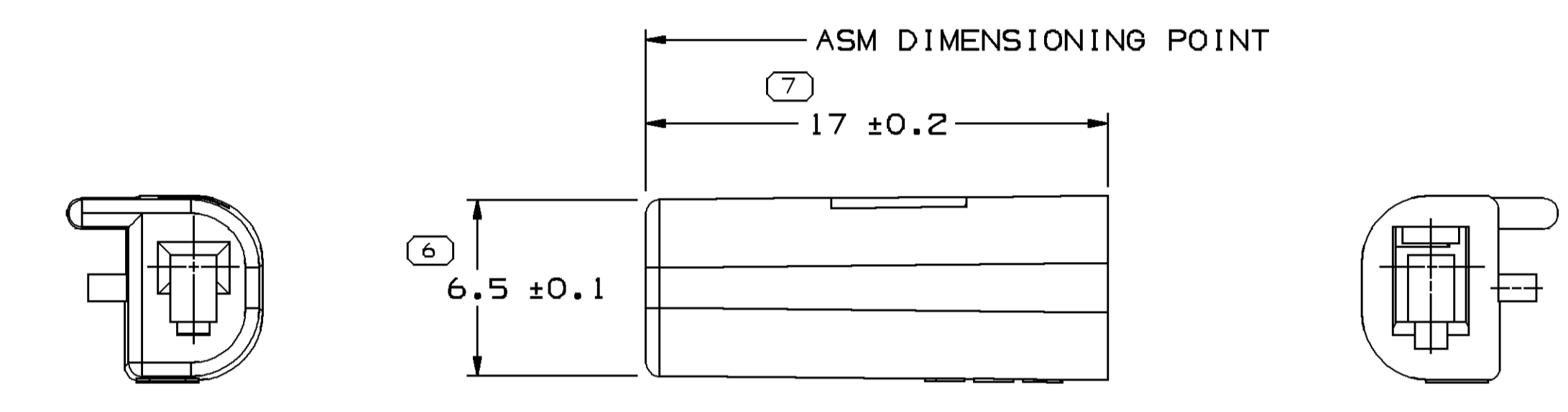
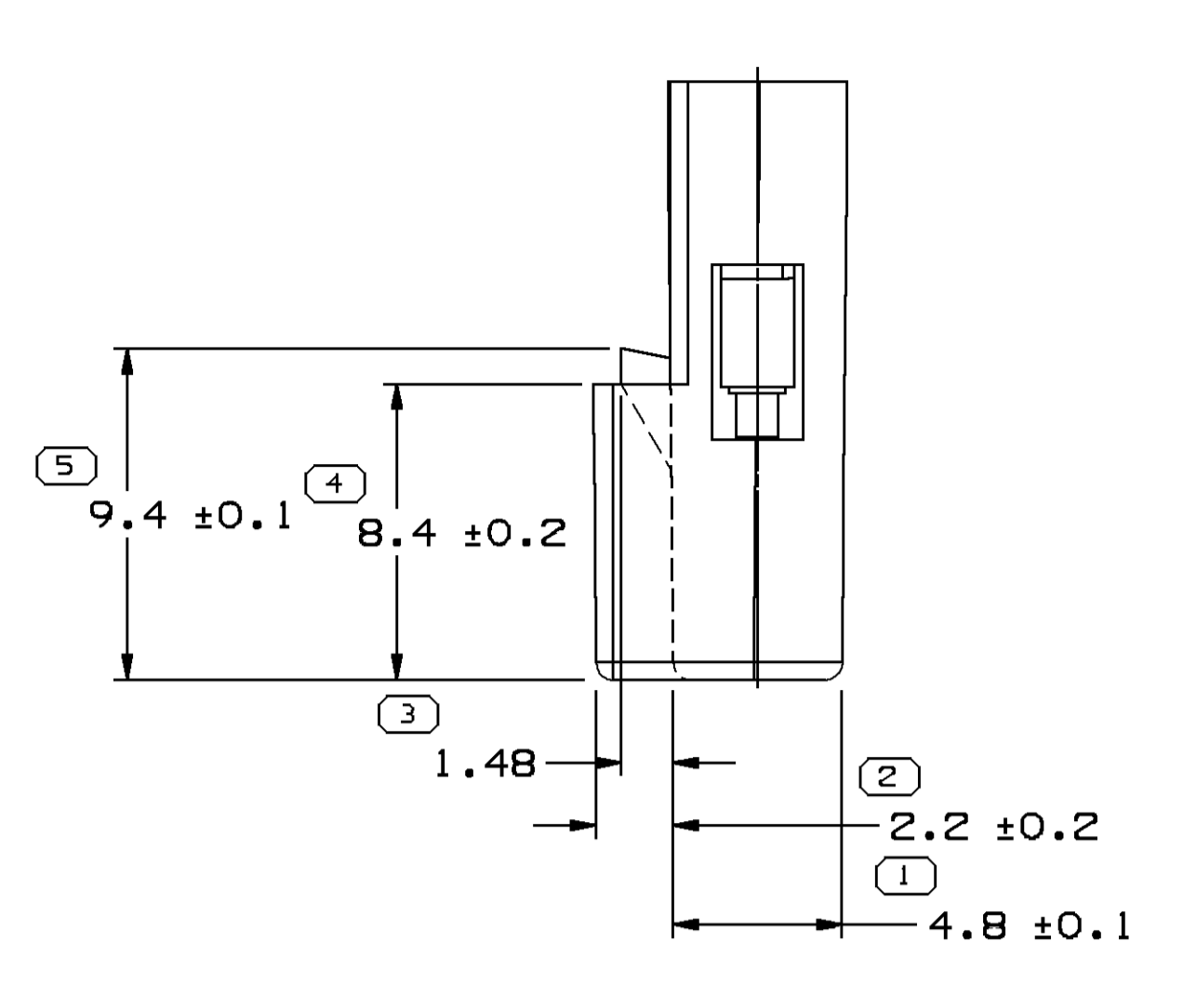


MATING CONNECTOR INFORMATION  
SCALE 10:1



SYMBOL DEFINITION		TOTAL NO OF INSPECTIONS REQUIRED	MISSING SYMBOLS
A	DIMENSION WITHOUT AN INSPECTION REPORT SYMBOL DOES NOT REQUIRE INSPECTION. IT MAY BE CONTROLLED ON THE INDIVIDUAL COMPONENT DRAWING.	7	NO MISSING SYMBOL NUMBER
		LAST NO. USED	7

DATE	STG	REV	N/P	CHG	ZONE	REVISION HISTORY	AUTH	DR	AP/VD
12047682	R	01	-	-	-	12047682 - WAS SEPERATE DWG; REV LEV REMAINS AT B	104894	EML	JHV
19FE98	R	02	-	-	-	15336680, 15336682, 15336684, 15336686, 15336688, 15336690 & 15336692 - RELEASED TO REV A	980005	EML	JHV
15AP03	R	03	-	-	-	ALL PARTS - UPDATED MATERIAL SPEC	239671	HAM	HAM/GMM
10MR08	R	04	-	-	-	ALL PARTS - ADDED APPLICATION DATA NOTE & APPEARANCE ITEM NOTE, REMOVED MATING COMPONENTS NOTE, MAX INSULATION & CAVITIES TO ACCEPT NOTE AND REVISED MAT'L CALLOUT TO GENERIC CALLOUT	403564	EFS	JAA/JGS



- NOTES
- UNLESS OTHERWISE SPECIFIED AND/OR INDICATED:  
DIMENSIONS ARE TO FACE OF VIEW SHOWN AND AUTOMATICALLY ROUNDED BY COMPUTER FOR INSPECTION (SEE MATH MODEL FOR PRECISE DIMENSIONS). FOR ALL OTHER DIMENSIONS NOT SHOWN BUT REQUIRED FOR TOOL BUILD, SEE MATH MODEL FOR PRECISE TOOL PATH DATA.
  - MATERIAL RECYCLING CODE PER ISO 11469. (2.3) X (0.1) RAISED CHARACTERS AS SHOWN TO BE LOCATED ON ANY EXTERIOR SURFACE. OPTIONAL CONSTRUCTION TO BE NO MATERIAL RECYCLING CODE.
  - THIS CONNECTOR WILL PASS THRU A 9 DIA. MIN. HOLE
  - (2.3)X(0.1) RAISED DELPHI CORPORATE BRAND TO BE LOCATED ON ANY EXTERIOR SURFACE, PREFERABLY VISIBLE AT FINAL ASSEMBLY. OPTIONAL CONSTRUCTION TO BE "PED" OR NO LOGO.
  - THIS PRODUCT IS NOT CATEGORIZED AS AN APPEARANCE ITEM, MINOR IMPERFECTIONS INCLUDING, BUT NOT LIMITED TO, FLOW MARKS, COLOR BLEMISHES, GATE VESTIGE, AND SOFT FLASH THAT DO NOT AFFECT THE FIT, FORM, OR FUNCTION OF THE PART ARE PERMISSIBLE PER NAP 4.10-18.
  - FOR APPLICATION DATA SEE THE INDIVIDUAL APPLICATION DRAWINGS.

PART NO	REV	N/P	STATUS	MATERIAL SPECIFICATION AND COLOR	VOLUME
15336692	A2	-	-	POLYAMIDE COMPOUND BROWN	0.363
15336690	A2	-	-	POLYAMIDE COMPOUND YELLOW	0.363
15336688	A2	-	-	POLYAMIDE COMPOUND BLUE	0.363
15336686	A2	-	-	POLYAMIDE COMPOUND GREEN	0.363
15336684	A2	-	-	POLYAMIDE COMPOUND NATURAL	0.363
15336682	A2	-	-	POLYAMIDE COMPOUND RED	0.363
15336680	A2	-	-	POLYAMIDE COMPOUND GRAY	0.363
12047682	B2	-	-	POLYAMIDE COMPOUND BLACK	0.363

DATE	STG	REV	N/P	CHG	ZONE
19FE98	R	01	-	-	-
19FE98	R	02	-	-	-
15AP03	R	03	-	-	-
10MR08	R	04	-	-	-

**DELPHI**  
DELPHI PACKARD ELECTRICAL/ELECTRONIC ARCHITECTURE  
NAPER, OH

DR: E. MARAVER L (19FE98)  
AP/VD: JOSE HUERTA (25FE98)  
AP/VD: B. GEARHEART (06MR98)  
AP/VD: [blank]

UNLESS OTHERWISE SPECIFIED:  
THIS DOCUMENT IS IN ACCORDANCE WITH ASME Y14.9M-1994 AS MODIFIED BY THE 2003 DIMENSIONING AND TOLERANCE PRACTICE (ASME Y14.5M-2003). ALL DIMENSIONS AND RELATED DATUM APPL. RES. RULE #1 UNLESS OTHERWISE SPECIFIED.  
DIMENSIONS NOT APPL. WITH RELATIONSHIP BETWEEN FEATURES IS ESTABLISHED BY ORIENTATION OR LOCATION TOLERANCES. SEPARATE POSITION CALLOUTS MAY BE SHOWN SEPARATELY, REGARDLESS OF DATUM REFERENCE.  
ALL DIMENSIONS ARE IN MILLIMETERS.

DWG TYPE: PART DRAWING  
STYLE: SEE CHART  
VOLUME: 10/1  
DISTR CODE: D

UNLESS OTHERWISE SPECIFIED:  
DIMENSIONS ENCLOSED IN ( ) INDICATE REFERENCE DIMENSIONS AND NO TOLERANCE LIMITS ARE ESTABLISHED.

(N/A) PROCESS SENSITIVE DIMENSION

THIRD ANGLE PROJECTION  
DO NOT SCALE  
USE MATH DATA

DRAWING NUMBER: 15336694

SIZE: A0  
SCALE: 5:1  
FRAME NO: 1 OF 1  
SHEET NO: 1 OF 1  
REV: R 04

# Mouser Electronics

Authorized Distributor

Click to View Pricing, Inventory, Delivery & Lifecycle Information:

[Aptiv:](#)

[12047682-B](#)