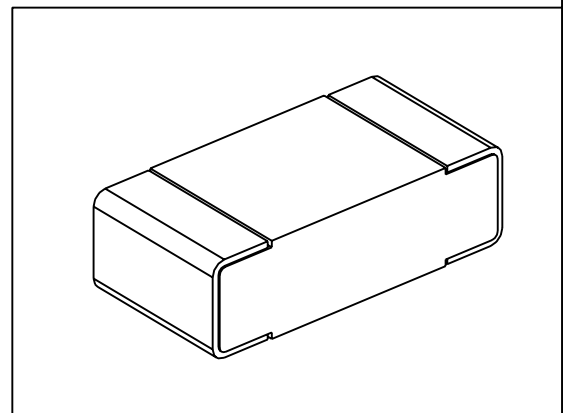
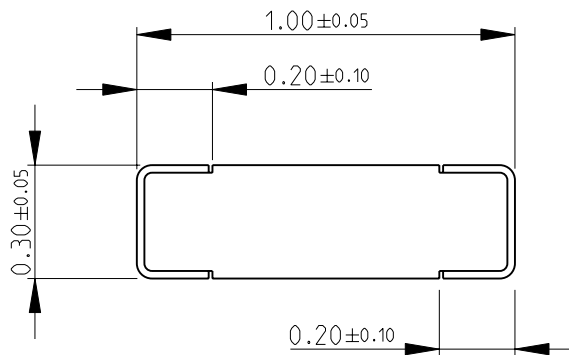
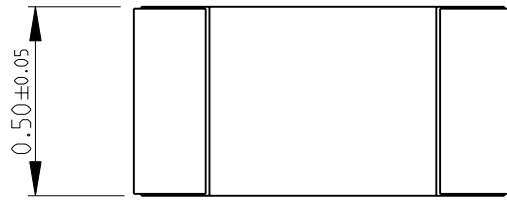


LOC	DIST	REVISIONS			
P	LTR	DESCRIPTION	DATE	DWN	APVD
E	B	BA	NEW RELEASE	27-Sep-08	SM St.P

FOR FURTHER INFORMATION SEE DATA SHEET FOR  
 CPF SERIES-THIN FILM PRECISION CHIP RESISTORS



RoHS Compliant

2008

RELEASED FOR PUBLICATION

THIS DRAWING IS UNPUBLISHED.

BY TYCO ELECTRONICS CORPORATION. ALL RIGHTS RESERVED.



DIMENSIONS: mm	DWN SUBHASH.M	27-Sep-08	MATERIAL	-	FINISH	-	
	CHK PRAKASH.S	27-Sep-08	Tyco Electronics Corporation Dorcan, Swindon, SN3 5HH				
TOLERANCES UNLESS OTHERWISE SPECIFIED:	APVD STEPHEN.P	27-Sep-08					
	0 PLC ±0.2	PRODUCT SPEC	NAME THIN FILM PRECISION CHIP RESISTORS SERIES CPF 0402				
1 PLC ±0.1	APPLICATION SPEC						
2 PLC ±-	WEIGHT	-	SIZE	A 4	CAGE CODE	00779	
3 PLC ±-		-	DRAWING NO	C= 1879213		RESTRICTED TO	-
4 PLC ±-			CUSTOMER DRAWING	SCALE	50:1	SHEET	1 OF 1
ANGLES ±5°	AMP 1469-35 REV 31MAR2000						

# Mouser Electronics

Authorized Distributor

Click to View Pricing, Inventory, Delivery & Lifecycle Information:

[TE Connectivity:](#)

[CPF0402B102RE1](#)