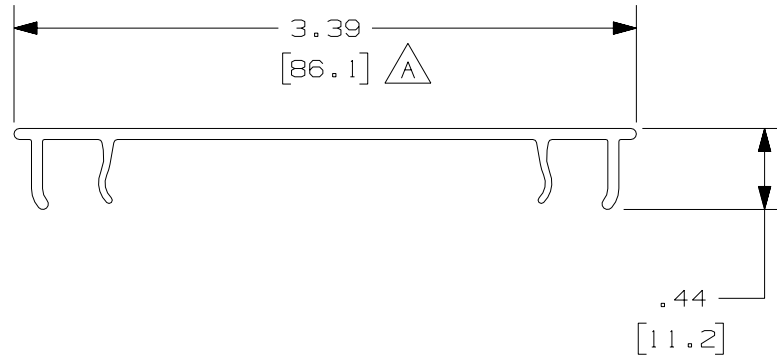


THIS COPY IS PROVIDED ON A RESTRICTED BASIS AND IS NOT TO BE USED IN ANY WAY DETRIMENTAL TO THE INTERESTS OF PANDUIT CORP.



NOTE.

1. ALL DIMENSIONS ARE REFERENCE ONLY.
2. DIMENSIONS IN PARENTHESES ARE METRIC.
3. THE * * DENOTE COLOR.
4. USE HC3**6 WITH 3" WIDE TYPE H DUCT.

CAD FILENAME/LAYERS D110000W_DC/00B

PANDUIT CORP. TINLEY PARK, ILLINOIS

WIRING DUCT - TYPE HC COVER
3
MARKETING DRAWING

REV	DATE	BY	CHK	DESCRIPTION
I	8/22/07	JCSTMKBE		A. DIMENSION CORRECTED - WAS 3.38
R	1/14/05	JCSTMKBE		DRAWING RELEASED

DRAWN BY JCST	MAT'L; PVC	SCALE FULL
DATE 1/14/05		DRAWING NO. 36897-1032
CHK'D MKBE		DWG SIZE A

Mouser Electronics

Authorized Distributor

Click to View Pricing, Inventory, Delivery & Lifecycle Information:

[Panduit:](#)

[HC3BL6](#) [HC3LG6](#) [HC3WH6](#)