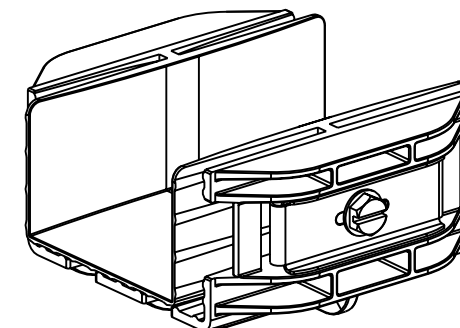
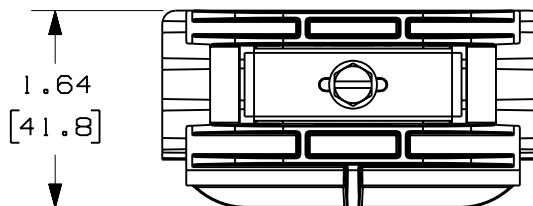
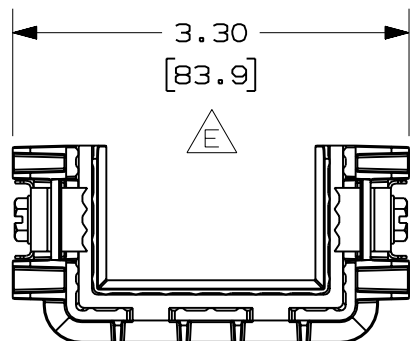


PANDUIT PART NUMBER	WEIGHT
FBC2X2	0.18 LB/EACH (80g/EACH)



**NOTES:**

1. SEE CURRENT CATALOG FOR ADDITIONAL PART SUFFIXES TO INDICATE COLOR AND/OR PACKAGE QUANTITY.
2. DIMENSIONS IN PARENTHESES ARE IN METRIC.



ENG. REF.: D38210BH\_DC\_FBC2X2\_01.prt

CAD FILENAME/LAYERS B FBC2X2.pdf

**PANDUIT** CORP TINLEY PARK, ILLINOIS  
**FIBERRUNNER 2x2 QUIKLOCK**  
**COUPLER (FBC2X2)**  
 CUSTOMER DRAWING

UNLESS OTHERWISE SPECIFIED, DIMENSIONAL TOLERANCES ARE: (.X) ± (.XXX) ± (.XX) ± .03 (.8) ANGLES ±		UNLESS OTHERWISE SPECIFIED, ALL DIMENSIONS ARE GIVEN IN INCHES, THIRD ANGLE PROJECTION.	
DRAWN BY JHNU	MAT'L: ABS/STEEL	SCALE NONE	DWG A
DATE 12-29-05	CHK'D DJWA	DRAWING NO. 38210-07	SIZE A

REV	DATE	BY	CHK	DESCRIPTION	ECN	R	CUST	SUP	GMBH
-	-----	---	--	E. REMOVED DIMENSION.	-----	--	--		
-	-----	---	--	D. REVISED PART WEIGHT. C. REVISED DRAWING TITLE.	-----	--	--		
1	8-3-06	DTP	RN	B. REVISED CAD FILENAME. A. REV'D DWG. TO CUR. STAND.	38210-07	RN	RN		
R	2-18-02	JHNU	DJWA	RELEASED TO PRODUCTION	38210-07	HIW	HIW		

# Mouser Electronics

Authorized Distributor

Click to View Pricing, Inventory, Delivery & Lifecycle Information:

[Panduit:](#)

[FBC2X2YL](#) [FBC2X2BL](#)