

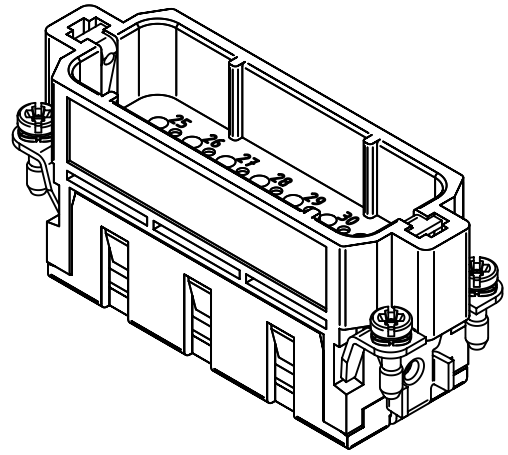
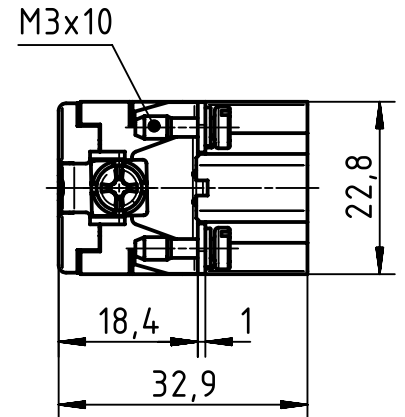
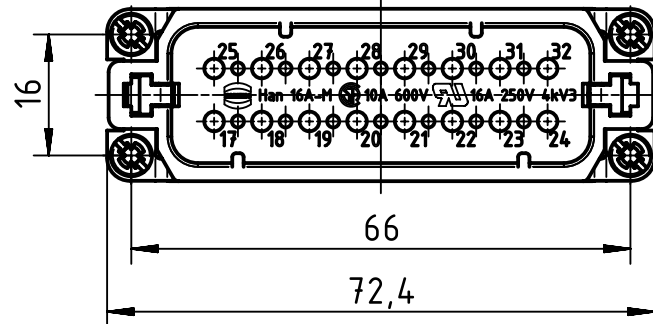
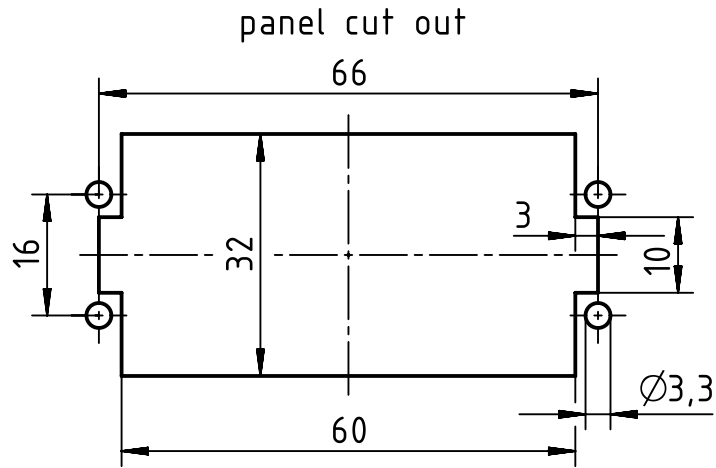
1 2 3 4 5 6

A

B

C

D



	All rights reserved Department EL PD - DE	All Dimensions in mm Original Size DIN A4			Scale 1:1	Free size tol.	Ref.
		HARTING Electric GmbH & Co. KG D-32339 Espelkamp	Created by SPRENB	Inspected by BERGHORN	Standardisation TIEMANNA	Date 2015-09-18	State Final Release
Title Han A 16 Pos. M Insert Crimp (17-32)						Doc-Key / ECM-Nr. 100628773/UGD/007/B 500000091602	
Type TB				Number 09 20 016 3011		Rev. B	Page 1/1

Mouser Electronics

Authorized Distributor

Click to View Pricing, Inventory, Delivery & Lifecycle Information:

[HARTING:](#)

[09200163011](#)