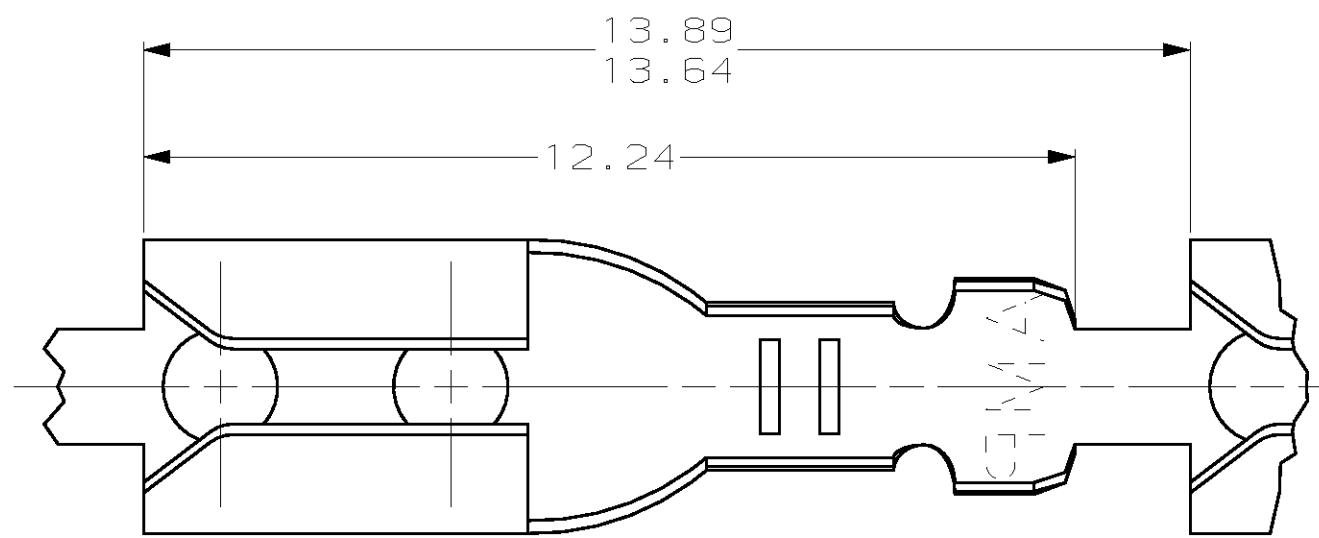
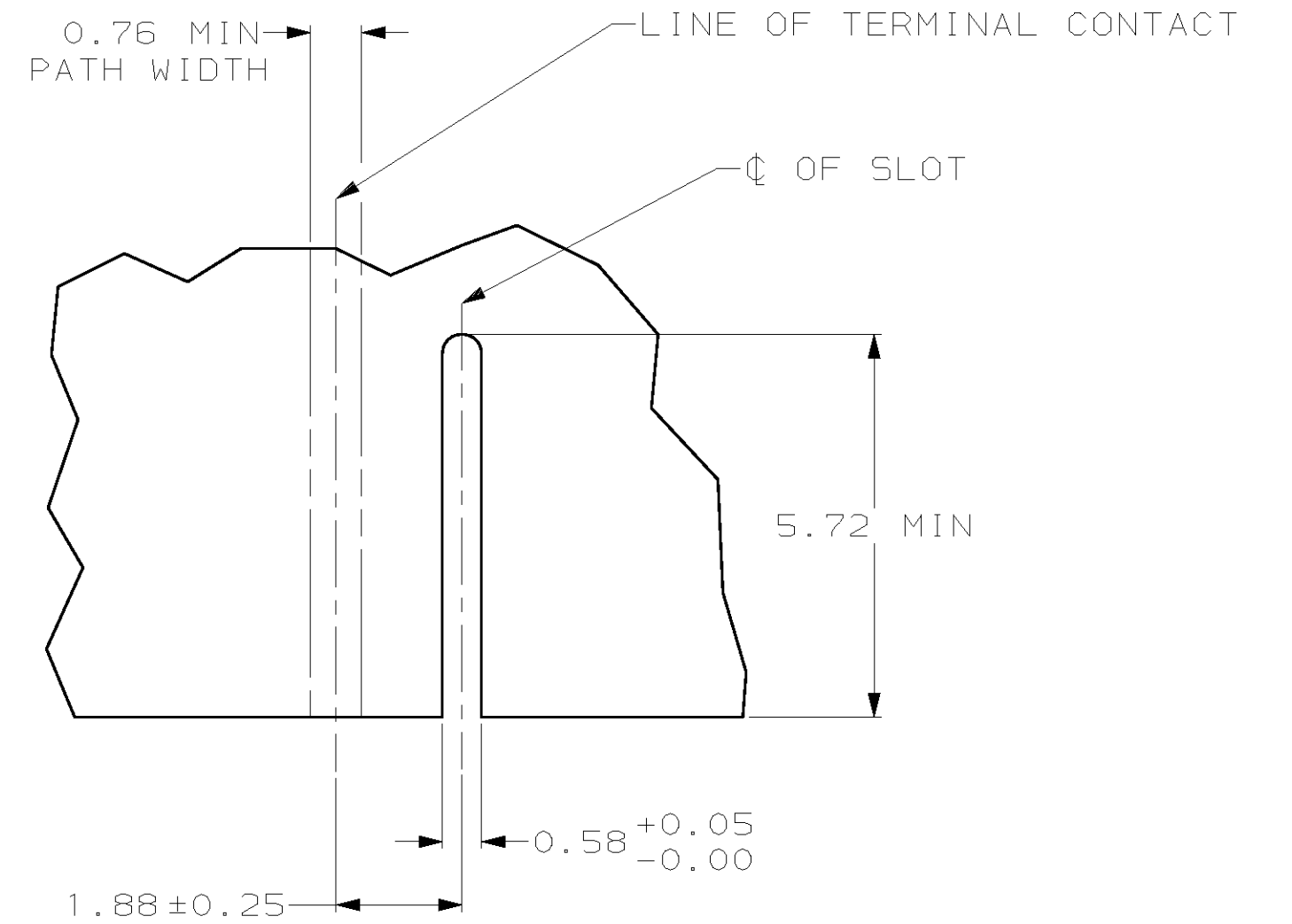


THIS DRAWING IS UNPUBLISHED. RELEASED FOR PUBLICATION
 (C) COPYRIGHT 19 BY AMP INCORPORATED. ALL RIGHTS RESERVED.

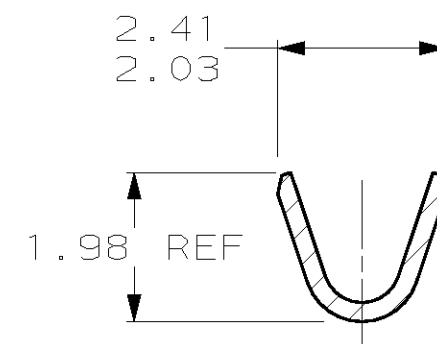
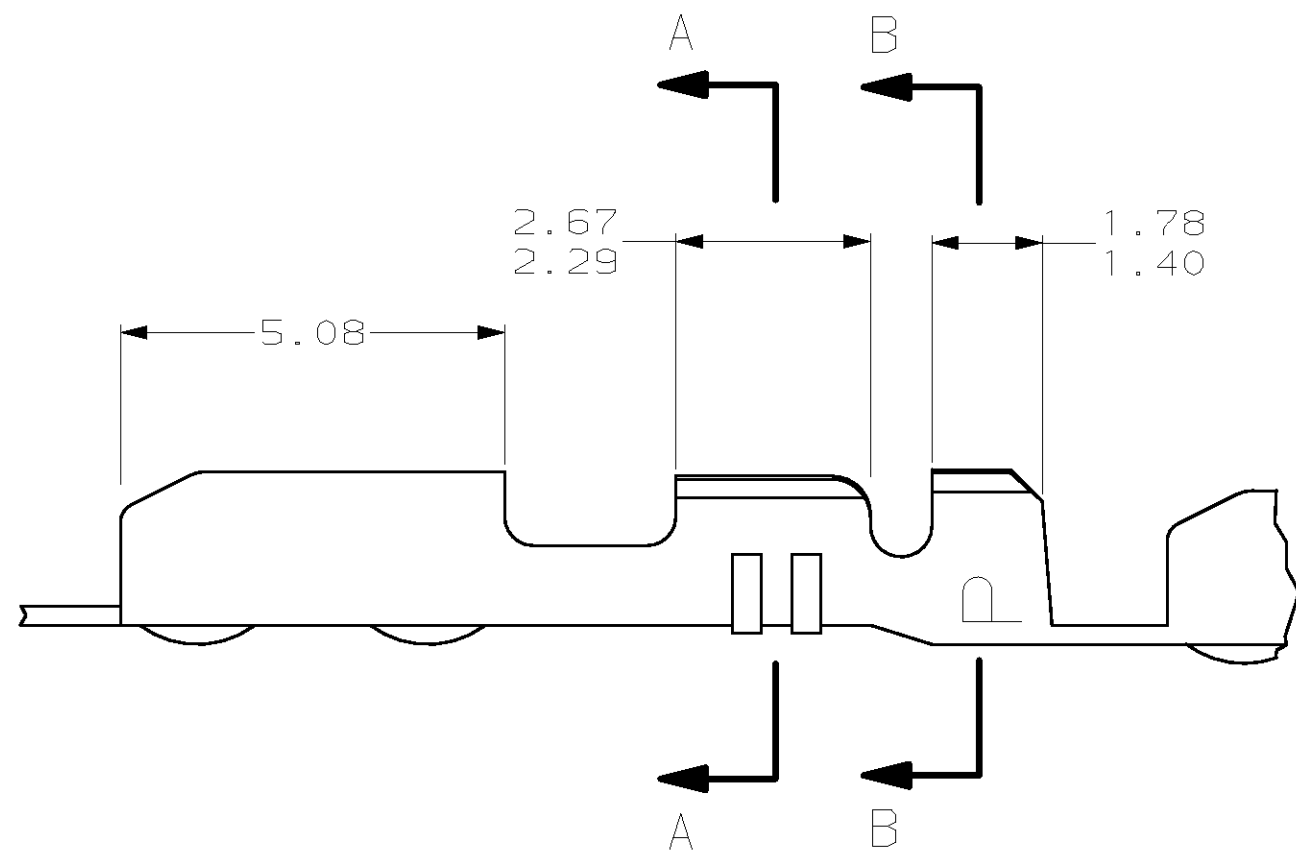
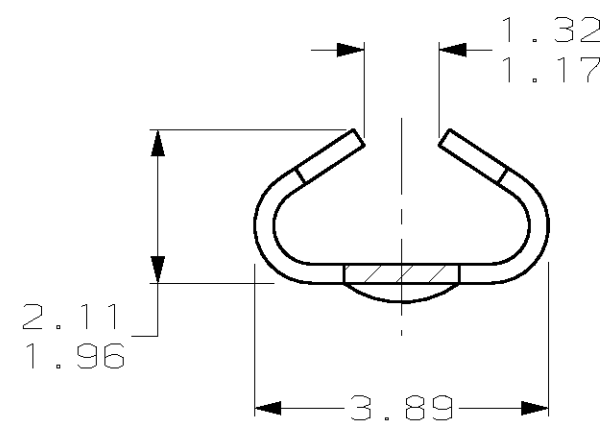
LOC	DIST	REVISIONS			
P	LTR	DESCRIPTION	DATE	DWN	APVD
CM	52	AA	REV & REDWN PER EC 0L30-0096-97	12-20-96	TB RS



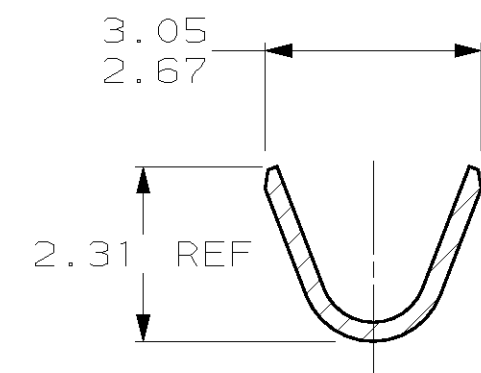
1. WIRE RANGE: 0.04 - 0.6 MM² (22 - 20 AWG)
2. INSULATION RANGE: 1.19 MAX



RECOMMENDED CUT OUT FOR 1.57 THICK P.C. BOARD



SECTION A-A



SECTION B-B

42263-7
PART NUMBER

1.17	.046	1.96	.077	2.67	.105	13.89	.547
0.76	.030	1.91	.075	2.41	.095	13.64	.537
0.58	.023	1.88	.074	2.31	.091	12.24	.482
0.25	.010	1.78	.070	2.29	.090	5.72	.225
0.13	.005	1.57	.062	2.11	.083	5.08	.200
0.05	.002	1.40	.055	2.03	.080	3.89	.153
0.00	.000	1.32	.052	1.98	.078	3.05	.120
MM	IN	MM	IN	MM	IN	MM	IN

CONVERSION TABLE

METRIC

THIS DRAWING IS A CONTROLLED DOCUMENT.		DWN	T. BECK	12-20-96
DIMENSIONS: mm		CHK	R. SWING	12-20-96
TOLERANCES UNLESS OTHERWISE SPECIFIED:		APVD	A. BEDDICK	1-08-97
0 PLC	±	NAME		
1 PLC	±	AMP Incorporated		
2 PLC	±0.13	Harrisburg, PA 17105-3608		
3 PLC	±	PRODUCT SPEC		
4 PLC	±	TERMINAL, 22-20 AWG, .075 MAX INSULATION, AMP-EDGE™		
ANGLES	±	APPLICATION SPEC		
MATERIAL	0.25 PHOSPHOR BRONZE	FINISH	TIN	WEIGHT
CUSTOMER DRAWING		SCALE	10:1	SHEET 1 OF 1
SIZE		A2	CAGE CODE	00779
DRAWING NO		C-42263		
RESTRICTED TO		-		
REV		AA		

42263

Mouser Electronics

Authorized Distributor

Click to View Pricing, Inventory, Delivery & Lifecycle Information:

[TE Connectivity:](#)

[42263-7](#)