

NOTES:

1. CONTACT-PLATED PHOSPHOR BRONZE.
(SEE SHEET 2)
2. HOUSING
POLYESTER (PBT), 15% GLASS FILL, UL94-V0.
COLOR: BLACK.
ALSO
POLYAMIDE (PA4/6), 30% GLASS FILL, UL94V-0.
COLOR: NATURAL.
3. FOR 0.635/[0.025] SQ. MALE PINS THE
LENGTH MUST BE 5.65/[0.222] MIN. &
7.00/[0.276] MAX. TO ENSURE GOOD
CONNECTION WITH CONTACT.
4. PRODUCT SPECIFICATION: PS-99020-0001
5. PCB THICKNESS 1.6MM

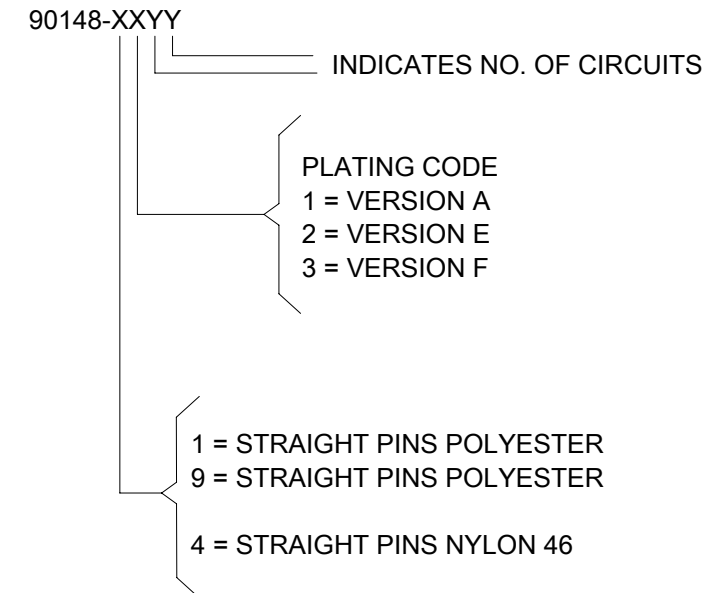
THIS DRAWING CONTAINS INFORMATION THAT IS PROPRIETARY TO MOLEX ELECTRONIC TECHNOLOGIES, LLC AND SHOULD NOT BE USED WITHOUT WRITTEN PERMISSION											
DIMENSION UNITS		SCALE		CURRENT REV DESC: MIGRATED TO NX						molex	
MM/INCH		NTS									
GENERAL TOLERANCES (UNLESS SPECIFIED)				EC NO: 613447		DRWN: ABABU01		2019/03/04		C-GRID III SINGLE ROW HORIZONTAL P.C BOARD CONN.	
4 PLACES ±		±		CHK'D: NMANE02		2019/03/11		PRODUCT CUSTOMER DRAWING			
3 PLACES ±		±		APPR: MRAMAKRISHNA		2019/03/11		DOCUMENT NUMBER		DOC TYPE DOC PART REVISION	
2 PLACES ±		0.15 ±		INITIAL REVISION:		DRWN: DB		1987/07/14		SDA-90148	
1 PLACE ±		±		APPR: J.DENNEHY		2010/06/04		PSD		001 AK1	
0 PLACES ±		±		ANGULAR TOL ± 2.0°		DRAFT WHERE APPLICABLE MUST REMAIN WITHIN DIMENSIONS		THIRD ANGLE PROJECTION		DRAWING	
						B-SIZE		SERIES		MATERIAL NUMBER	
						90148		CUSTOMER		SEE TABLE	
								GENERAL MARKET		SHEET NUMBER	
										1 OF 3	

PART NO's - STRAIGHT PINS		PART NO.	NO. OF CKTS.	A	B ⁺⁰ -0.30 [B ⁺⁰ -.012]	NO. PER TUBE
STANDARD	CUSTOMER SPECIFIC					
90148-1X02	_____	90148-4X02	2	2.54/[.100]	5.08/[.200]	105
90148-1X03	_____	90148-4X03	3	5.08/[.200]	7.62/[.300]	72
90148-1X04	_____	90148-4X04	4	7.62/[.300]	10.16/[.400]	52
90148-1X05	_____	90148-4X05	5	10.16/[.400]	12.70/[.500]	44
90148-1X06	90148-9X06	90148-4X06	6	12.70/[.500]	15.24/[.600]	36
90148-1X07	_____	90148-4X07	7	15.24/[.600]	17.78/[.700]	30
90148-1X08	_____	90148-4X08	8	17.78/[.700]	20.32/[.800]	26
90148-1X09	_____	90148-4X09	9	20.32/[.800]	22.86/[.900]	24
90148-1X10	_____	90148-4X10	10	22.86/[.900]	25.40/[1.000]	22
90148-1X11	_____	90148-4X11	11	25.40/[1.000]	27.94/[1.100]	18
90148-1X12	_____	90148-4X12	12	27.94/[1.100]	30.48/[1.200]	18
90148-1X13	_____	90148-4X13	13	_____	_____	16
90148-1X14	_____	90148-4X14	14	33.02/[1.300]	35.56/[1.400]	14
90148-1X15	_____	90148-4X15	15	35.56/[1.400]	38.10/[1.500]	14
90148-1X16	_____	90148-4X16	16	_____	_____	13
90148-1X17	_____	90148-4X17	17	_____	_____	12
90148-1X18	_____	90148-4X18	18	43.18/[1.700]	45.72/[1.800]	12
90148-1X19	_____	90148-4X19	19	45.72/[1.800]	48.26/[1.900]	12
90148-1X20	_____	90148-4X20	20	48.26/[1.900]	50.80/[2.000]	11
90148-1X21	_____	90148-4X21	21	_____	_____	10
90148-1X22	_____	90148-4X22	22	_____	_____	10
90148-1X23	_____	90148-4X23	23	_____	_____	10
90148-1X24	_____	90148-4X24	24	_____	_____	9
90148-1X25	_____	90148-4X25	25	60.96/[2.400]	63.50/[2.500]	8
90148-1X26	_____	90148-4X26	26	63.50/[2.500]	66.04/[2.600]	8
90148-1X27	_____	90148-4X27	27	_____	_____	8
90148-1X28	_____	90148-4X28	28	_____	_____	7
90148-1X29	_____	90148-4X29	29	_____	_____	7
90148-1X30	_____	90148-4X30	30	73.66/[2.900]	76.20/[3.000]	7
90148-1X31	_____	90148-4X31	31	_____	_____	7
90148-1X32	_____	90148-4X32	32	78.74/[3.100]	81.28/[3.200]	6

PLATING VERSION A
PRE-PLATED HOT DIP TIN
1.0 TO 2.5 MICRONS [.00004" TO .00010"].

PLATING VERSION E
1.27 TO 1.78 MICRONS [.00005" TO .00007"] NICKEL
OVERALL, 0.38 TO 0.64 MICRONS [.000015" TO .000025"]
GOLD ON CONTACT AREA (OVER NICKEL).
3 TO 5 MICRONS [.00012" TO .00020"] TIN
ON SOLDER TAILS (OVER NICKEL).

PLATING VERSION F.
1.27 TO 1.78 MICRONS [.00005" TO .00007"] NICKEL
OVERALL, 0.76 TO 1.0 MICRONS [.00003" TO .00004"]
GOLD ON CONTACT AREA (OVER NICKEL).
3 TO 5 MICRONS [.00012" TO .00020"] TIN
ON SOLDER TAILS (OVER NICKEL).

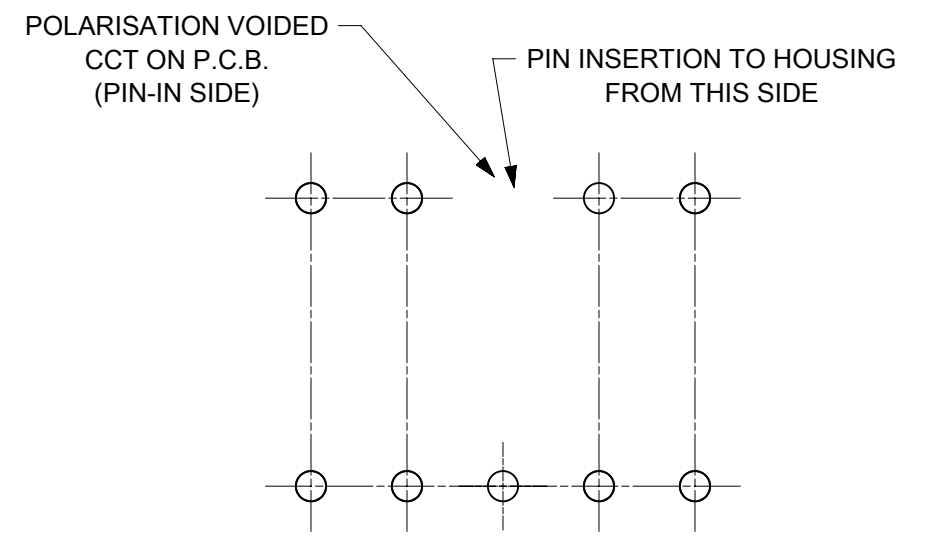
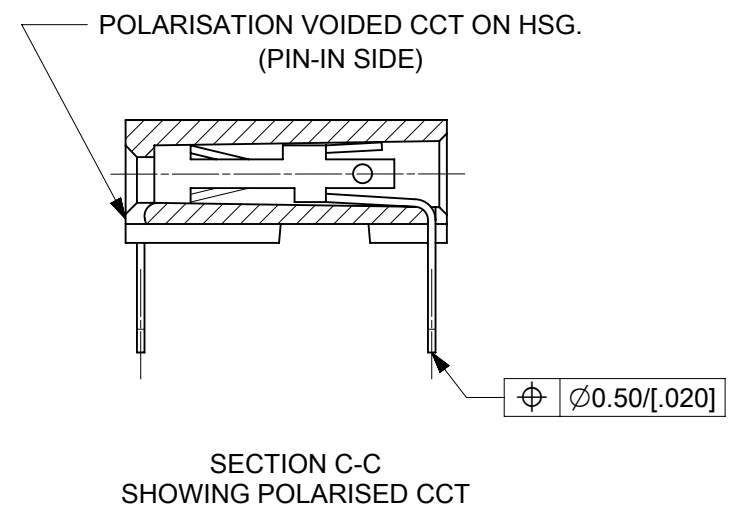
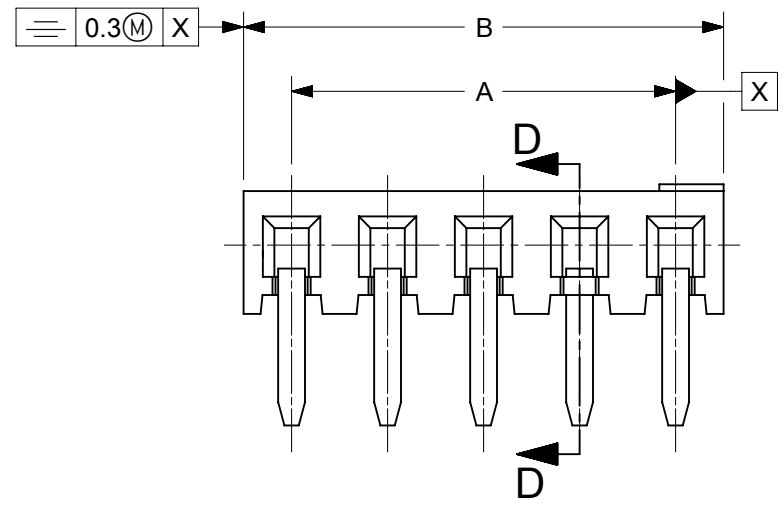


THIS DRAWING CONTAINS INFORMATION THAT IS PROPRIETARY TO MOLEX ELECTRONIC TECHNOLOGIES, LLC AND SHOULD NOT BE USED WITHOUT WRITTEN PERMISSION									
DIMENSION UNITS mm	SCALE NTS	CURRENT REV DESC: MIGRATED TO NX							
GENERAL TOLERANCES (UNLESS SPECIFIED)		EC NO: 613447							
ANGULAR TOL ± 2.0°	4 PLACES ±	DRWN: ABABU01 2019/03/04			C-GRID III SINGLE ROW HORIZONTAL P.C BOARD CONN.				
3 PLACES ±	2 PLACES ± 0.15	CHK'D: NMANE02 2019/03/11							
1 PLACE ±	0 PLACES ±	APPR: MRAMAKRISHNA 2019/03/11			PRODUCT CUSTOMER DRAWING				
DRAFT WHERE APPLICABLE MUST REMAIN WITHIN DIMENSIONS		INITIAL REVISION: DRWN: RFC_PLMIMP 2018/10/05 APPR: MWILHITE 2002/03/19							
THIRD ANGLE PROJECTION		DRAWING B-SIZE	SERIES 90148	MATERIAL NUMBER SEE TABLE	CUSTOMER GENERAL MARKET	DOCUMENT NUMBER SDA-90148	DOC TYPE PSD	DOC PART 001	REVISION AK1
					SHEET NUMBER 2 OF 3				

PART NO.	POLARISED CCT NO.	NO. OF CKTS.	A	B ⁺⁰ / _{-0.30} [B ⁺⁰ / _{-0.12}]	NO. PER TUBE
90148-3X01	2	3	5.08/[.200]	7.62/[.300]	72

NON-STANDARD PRODUCTS

90148 -XXYY
 OPTION NUMBER
 (NOT RELATING TO CCT SIZE OR OTHERWISE)
 PLATING CODE (SEE SHEET 2)
 3 = STRAIGHT PINS POLYESTER, POLARISED



NOTES:
 1. SEE SHEET 1 FOR ALL UNSPECIFIED DIMENSIONS AND NOTES.
 2. PARTS NOT STACKABLE.

THIS DRAWING CONTAINS INFORMATION THAT IS PROPRIETARY TO MOLEX ELECTRONIC TECHNOLOGIES, LLC AND SHOULD NOT BE USED WITHOUT WRITTEN PERMISSION

DIMENSION UNITS mm	SCALE NTS	CURRENT REV DESC: MIGRATED TO NX		molex		
GENERAL TOLERANCES (UNLESS SPECIFIED)		EC NO: 613447				
ANGULAR TOL ± 2.0°	4 PLACES ±	DRWN: ABABU01	2019/03/04	PRODUCT CUSTOMER DRAWING		
3 PLACES ±	2 PLACES ± 0.15	CHK'D: NMANE02	2019/03/11	DOCUMENT NUMBER		
1 PLACE ±	0 PLACES ±	APPR: MRAMAKRISHNA	2019/03/11	SDA-90148		
INITIAL REVISION:		DRWN: RFC_PLMIMP		DOC TYPE	DOC PART	REVISION
DRAFT WHERE APPLICABLE MUST REMAIN WITHIN DIMENSIONS		APPR: MWILHITE		PSD	001	AK1
THIRD ANGLE PROJECTION		DRAWING	SERIES	MATERIAL NUMBER	CUSTOMER	SHEET NUMBER
B-SIZE		90148	SEE TABLE	GENERAL MARKET	3 OF 3	

PART NO's - STRAIGHT PINS		PART NO.	NO OF CKTS.	DIM. A	DIM. B $(\pm \frac{0.30}{.32})$	NO. PER TUBE
STANDARD	CUSTOMER SPECIFIC					
90148-1X02		90148-4X02	2	(2.54) .100	(5.08) .200	105
↑ 03	↑	↑ 03	3	(5.08) .200	(7.62) .300	72
04	↓	04	4	(7.62) .300	(10.16) .400	52
05		05	5	(10.16) .400	(12.70) .500	44
06	90148-9X06	06	6	(12.70) .500	(15.24) .600	36
07		07	7	(15.24) .600	(17.78) .700	30
08	↑	08	8	(17.78) .700	(20.32) .800	26
09		09	9	(20.32) .800	(22.86) .900	24
10		10	10	(22.86) .900	(25.40) 1.000	22
11		11	11	(25.40) 1.000	(27.94) 1.100	18
12		12	12	(27.94) 1.100	(30.48) 1.200	18
13		13	13			16
14		14	14	(33.02) 1.300	(35.56) 1.400	14
15		15	15	(35.56) 1.400	(38.10) 1.500	14
16		16	16			13
17		17	17			12
18		18	18	(43.18) 1.700	(45.72) 1.800	12
19		19	19	(45.72) 1.800	(48.26) 1.900	12
20		20	20	(48.26) 1.900	(50.80) 2.000	11
21		21	21			10
22		22	22			10
23		23	23			10
24		24	24			9
25		25	25	(60.96) 2.400	(63.50) 2.500	8
26		26	26	(63.50) 2.500	(66.04) 2.600	8
27		27	27			8
28		28	28			7
29		29	29			7
30		30	30	(73.66) 2.900	(76.20) 3.000	7
↓ 31	↓	↓ 31	31			7
90148-1X32		90148-4X32	32	(78.74) 3.100	(81.28) 3.200	6

PLATING VERSION A

PRE-PLATED HOT DIP TIN
1.0 TO 2.5 microns (.00004" TO .00010").

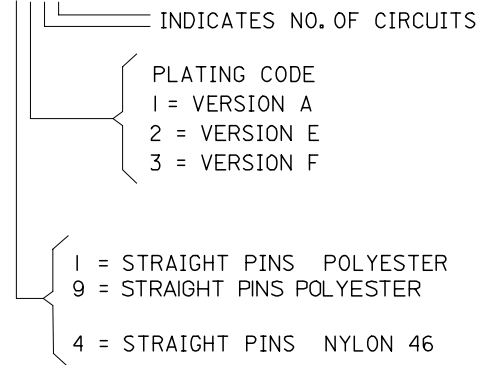
PLATING VERSION E

1.27 TO 1.78 microns (.00005" TO .00007") NICKEL
OVERALL, 0.38 TO 0.64 microns (.000015" TO .000025")
GOLD ON CONTACT AREA (OVER NICKEL).
3 TO 5 microns (.00012" TO .00020") TIN
ON SOLDER TAILS (OVER NICKEL).

PLATING VERSION F.

1.27 TO 1.78 microns (.00005" TO .00007") NICKEL
OVERALL, 0.76 TO 1.0 microns (.00003" TO .00004")
GOLD ON CONTACT AREA (OVER NICKEL).
3 TO 5 microns (.00012" TO .00020") TIN
ON SOLDER TAILS (OVER NICKEL).

90148-XXXX



ADD NEW P/N EC NO: E2007-0823 DRWN:DBYRNES CHKD: APPR:EDMAMONY 2007/03/29 2007/03/29 2007/04/04	QUALITY SYMBOLS ▽=0 ▽=0	GENERAL TOLERANCES (UNLESS SPECIFIED)		DIMENSION STYLE MM ONLY		SCALE ---	DESIGN UNITS METRIC	THIRD ANGLE PROJECTION			
				mm	INCH	DRAWN BY DB	DATE 1987/07/14	TITLE C-GRID III SINGLE ROW HORIZONTAL P.C. BOARD CONNECTOR			
				4 PLACES ±---	±---	CHECKED BY D.MORIARTY	DATE				
				3 PLACES ±---	±---	APPROVED BY J.DENNEHY	DATE	MOLEX MOLEX INCORPORATED		SHEET NO. 2 OF 3	
		2 PLACES ±---	±---	MATERIAL NO.		DOCUMENT NO. SDA-90148					
		1 PLACE ±---	±---	DRAFT WHERE APPLICABLE MUST REMAIN WITHIN DIMENSIONS		SEE CHART					
		ANGULAR ±---°		SIZE A3		THIS DRAWING CONTAINS INFORMATION THAT IS PROPRIETARY TO MOLEX INCORPORATED AND SHOULD NOT BE USED WITHOUT WRITTEN PERMISSION					