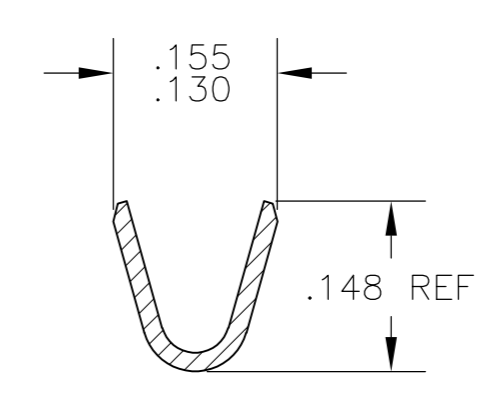
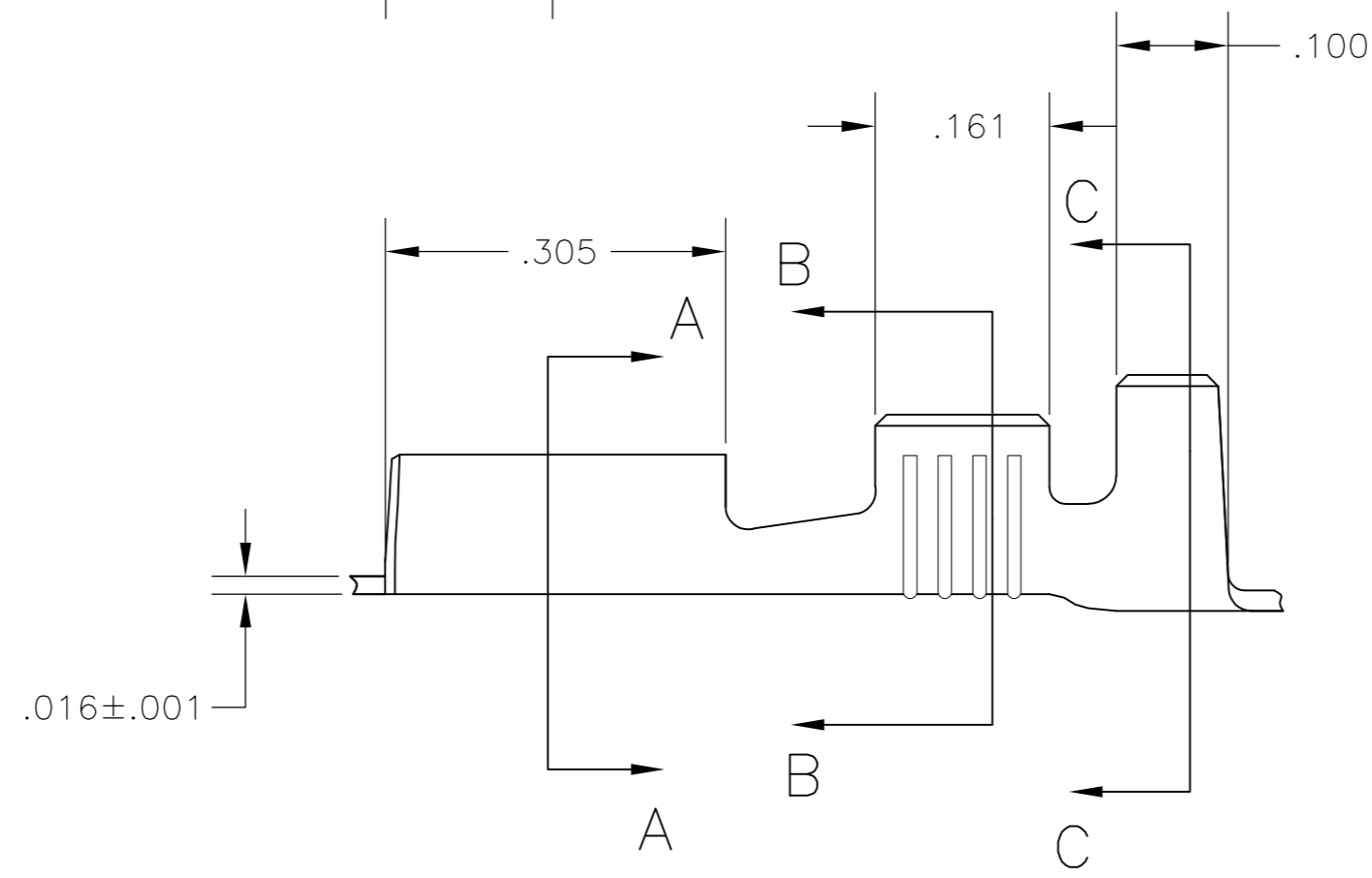
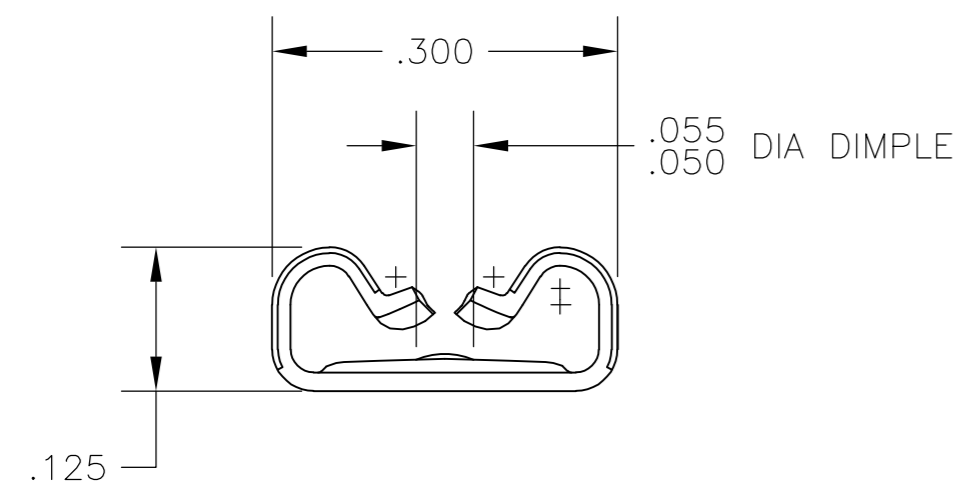
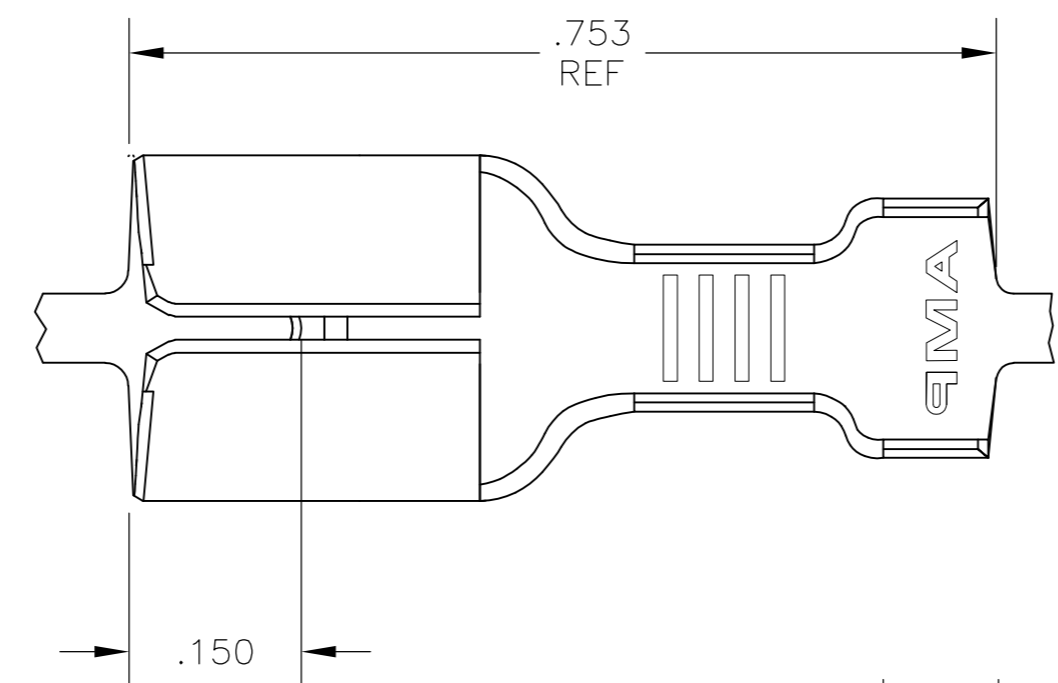


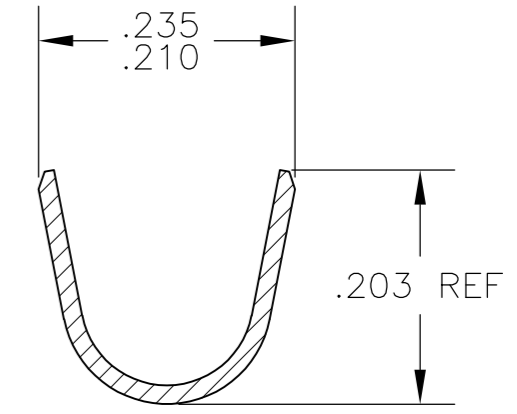
THIS DRAWING IS UNPUBLISHED. RELEASED FOR PUBLICATION  
 © COPYRIGHT - By - ALL RIGHTS RESERVED.

REVISIONS				
P	LTR	DESCRIPTION	DATE	APVD
C4		REVISED PER ECR-18-004893	02MAY2018	BDA DH

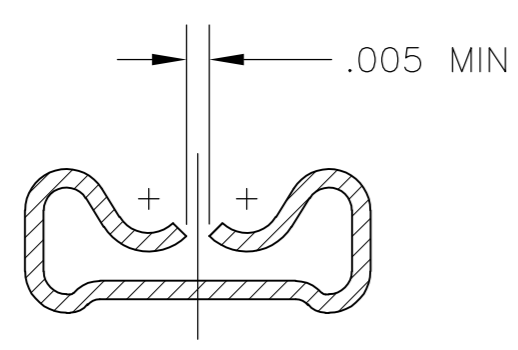
- 1 CONTINUOUS STRIP ON REELS
- 2 WIRE SIZE IS #18-#14 AWG
- 3 INSULATION RANGE IS .120-.170 DIA
- 4 MATING TAB THK IS .032±.001
- 5 UL APPROVED FOR AWG 18-14
- 6 OBSOLETE/SUPERSEDED BY PN 2238196-3



SECTION B-B



SECTION C-C



SECTION A-A

6	5	TIN	BRASS	1742198-3
		NICKEL PLATE	HOT STEEL	1742198-1
		FINISH	MATERIAL	PART NO

THIS DRAWING IS A CONTROLLED DOCUMENT.		DWN jr ruth 22OCT04	TE Connectivity	
DIMENSIONS: INCHES		CHK B FLAIG 22OCT04	RECEPTACLE, FASTON, .250 SERIES	
TOLERANCES UNLESS OTHERWISE SPECIFIED:		APVD ED HOWARD 22OCT04	SIZE A2	CAGE CODE 00779
0 PLC ± -		PRODUCT SPEC	DRAWING NO C=1742198	RESTRICTED TO
1 PLC ± -		APPLICATION SPEC	SCALE 6:1	SHEET 1 of 1
2 PLC ± -		WEIGHT	REV C4	
3 PLC ± .010		CUSTOMER DRAWING		
4 PLC ± -				
ANGLES ± 5°				
FINISH SEE TABLE				

1742198