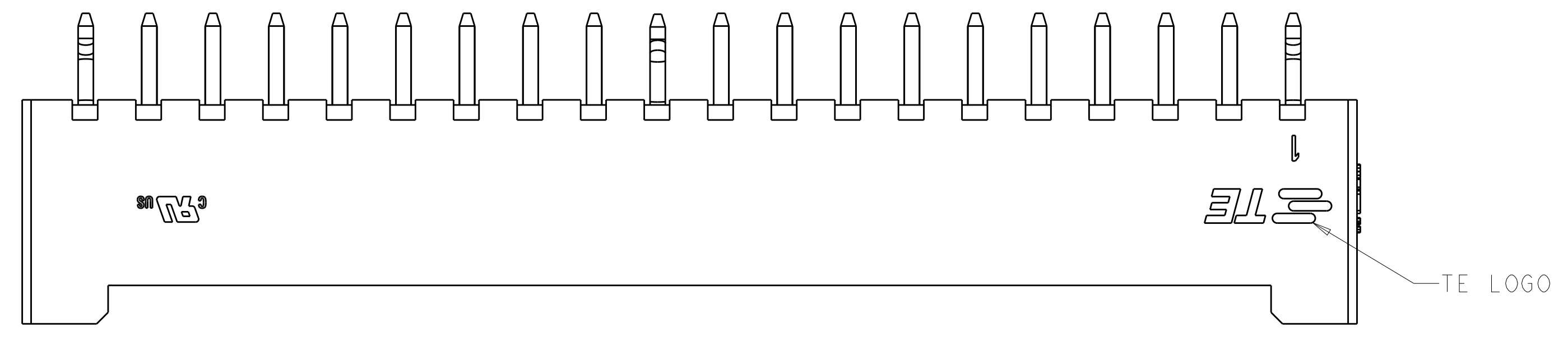
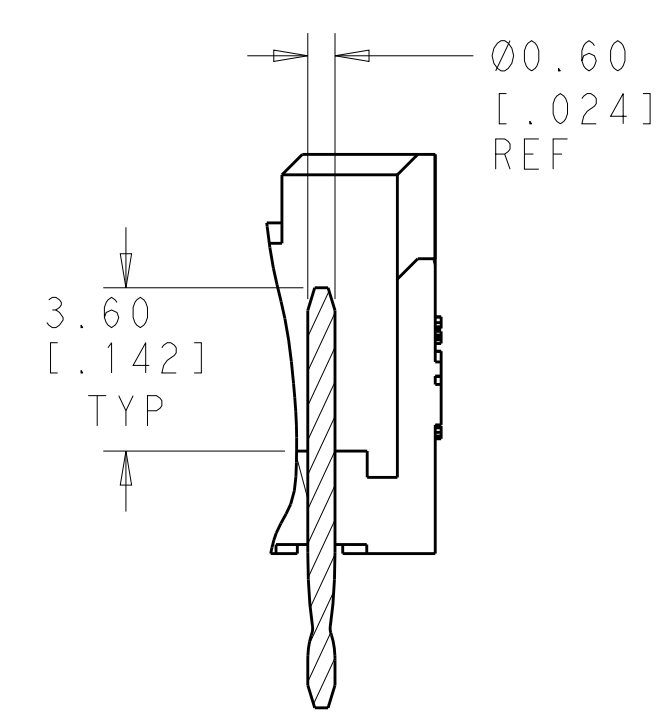
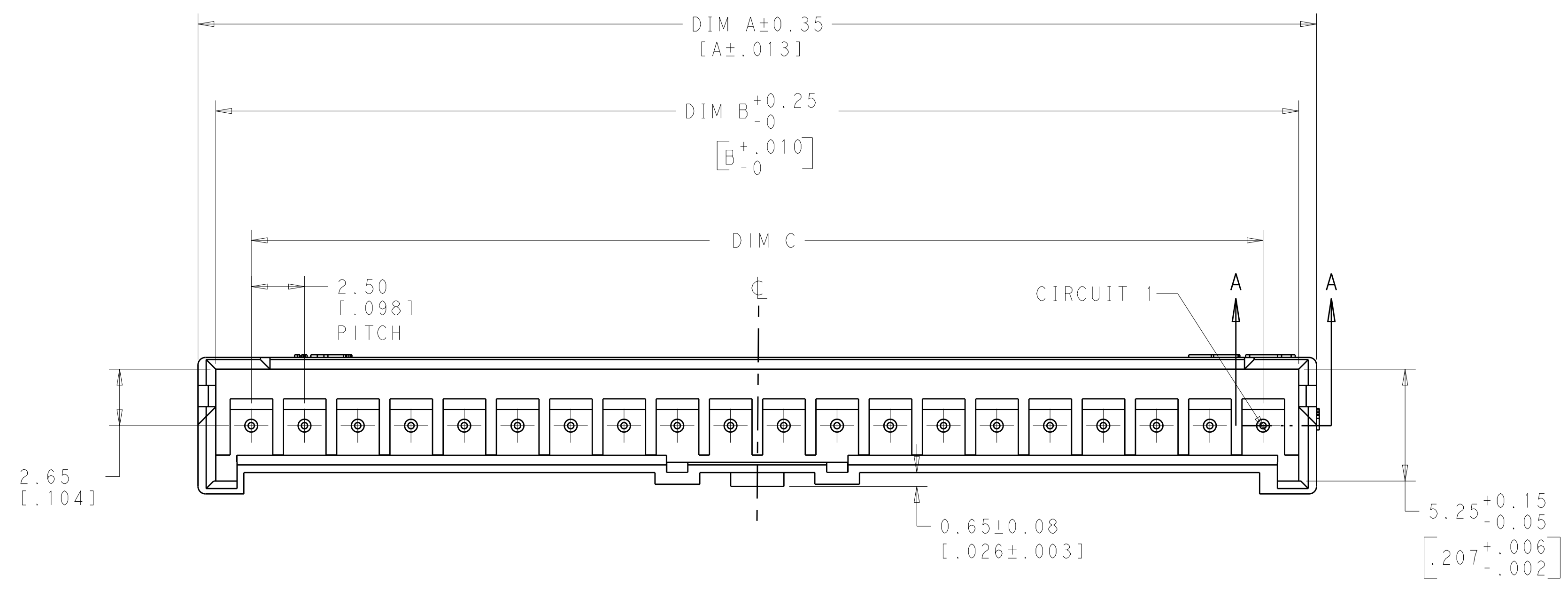


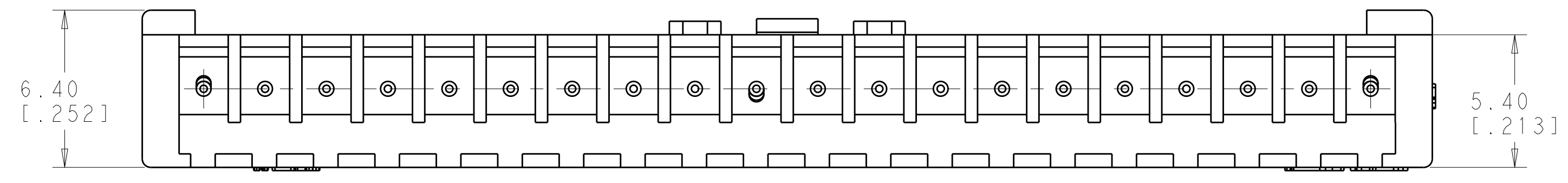
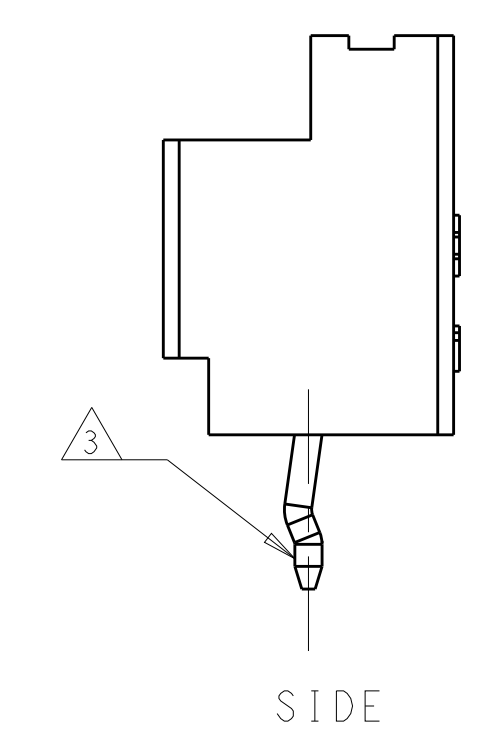
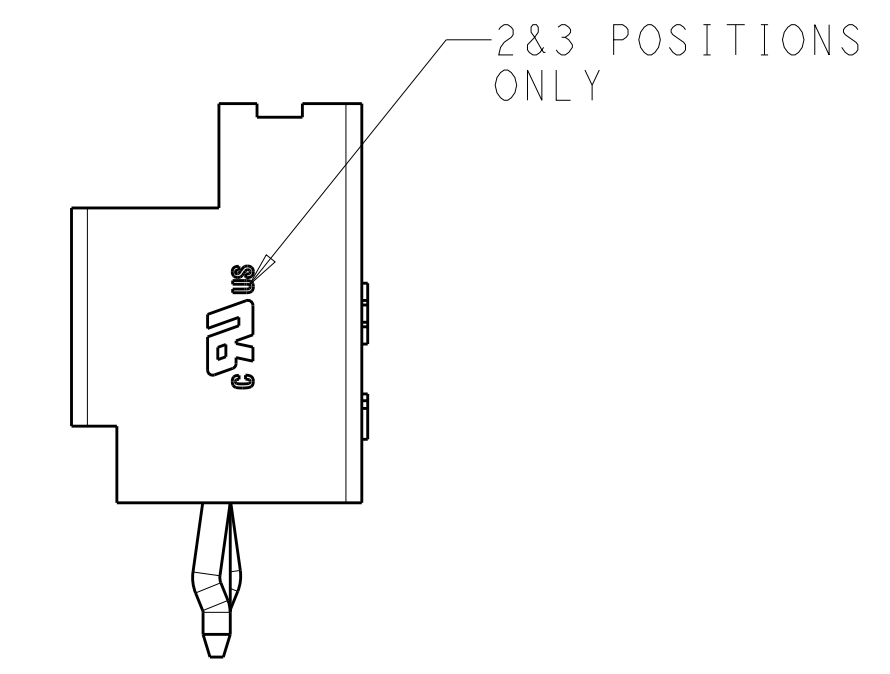
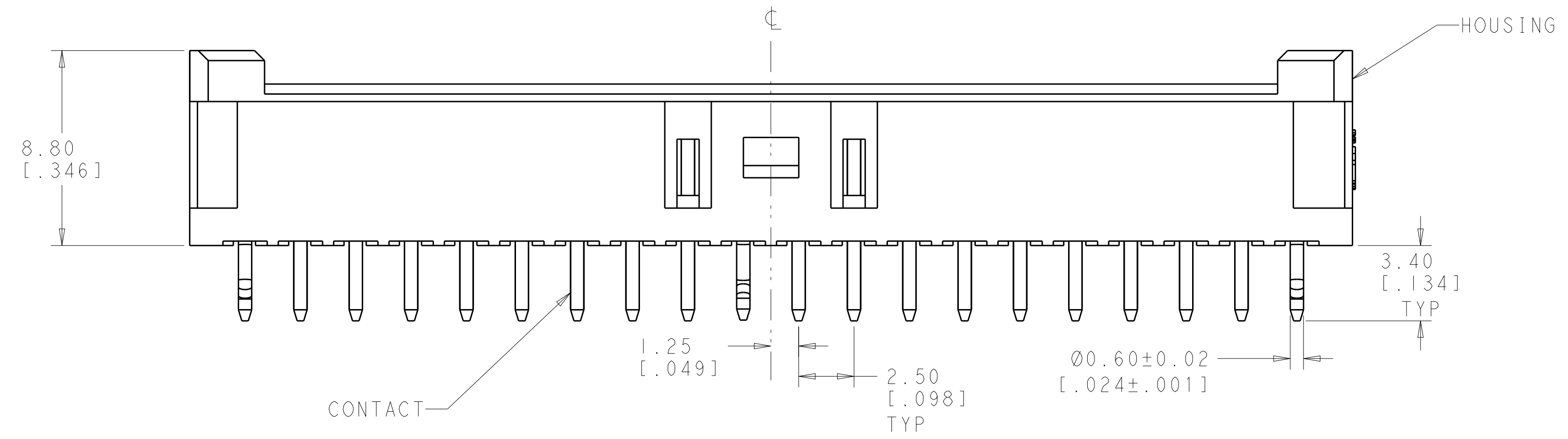
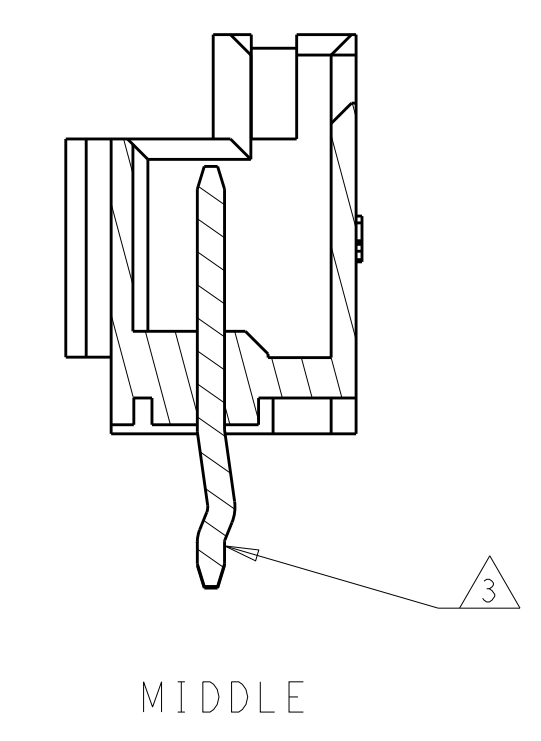
REVISIONS				
P.	LTN	DESCRIPTION	DATE	APVD
	D4	REVISED PER ECR-17-014071	30DEC2017	W, H, D, Z



- 1 MATERIAL: HOUSING: HIGH PERFORMANCE RESIN, UL94V-0, NATURAL.
CONTACT: BRASS, NICKEL UNDER PLATING,
TIN PLATING ON PIN AREA.
- 2 CONTACT RETENTION: 20 NEWTON [4.5 lbf] MIN.
- 3 CONTACT SOLDER TAIL KINK DIRECTION SEE BELOW TABLE.

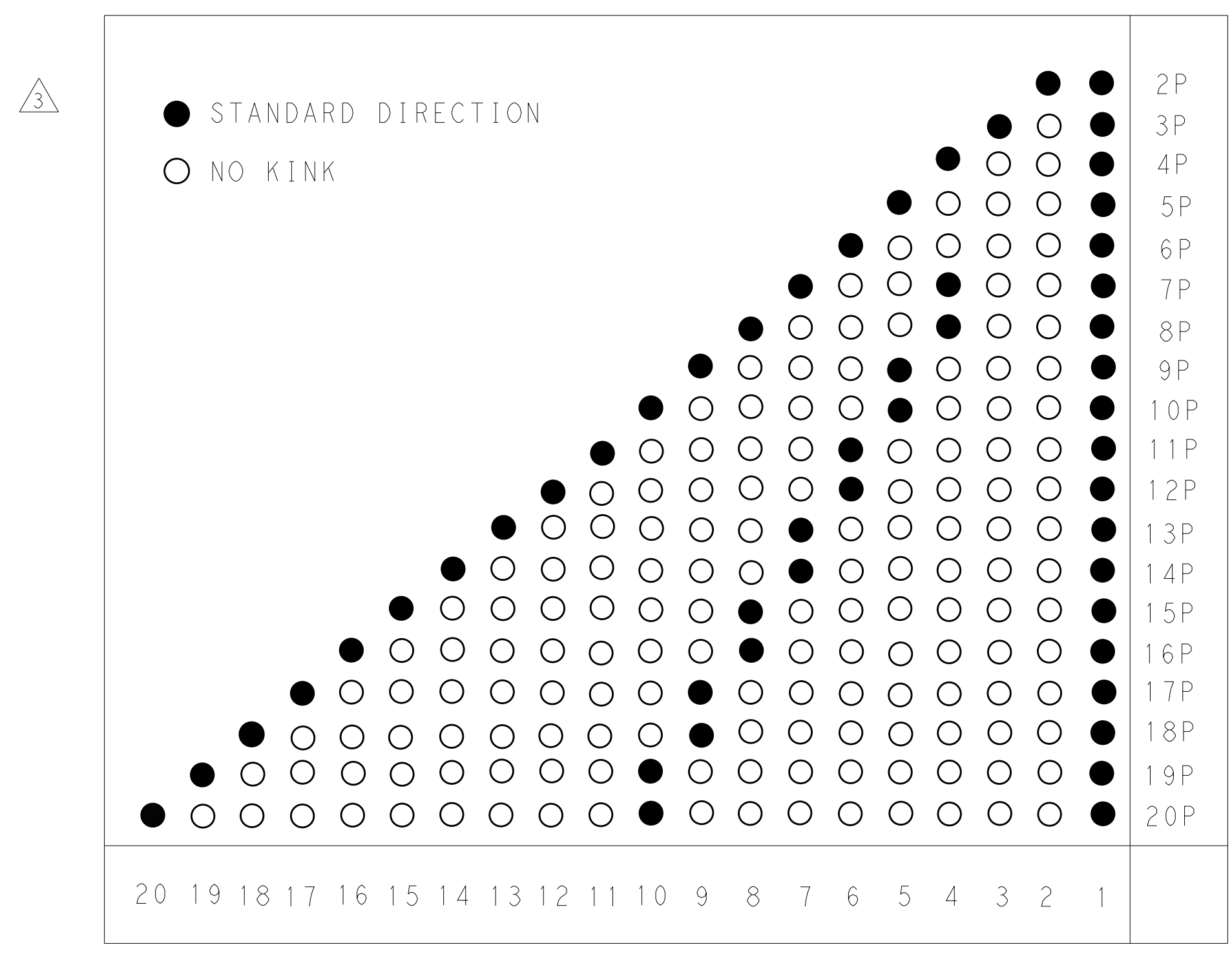
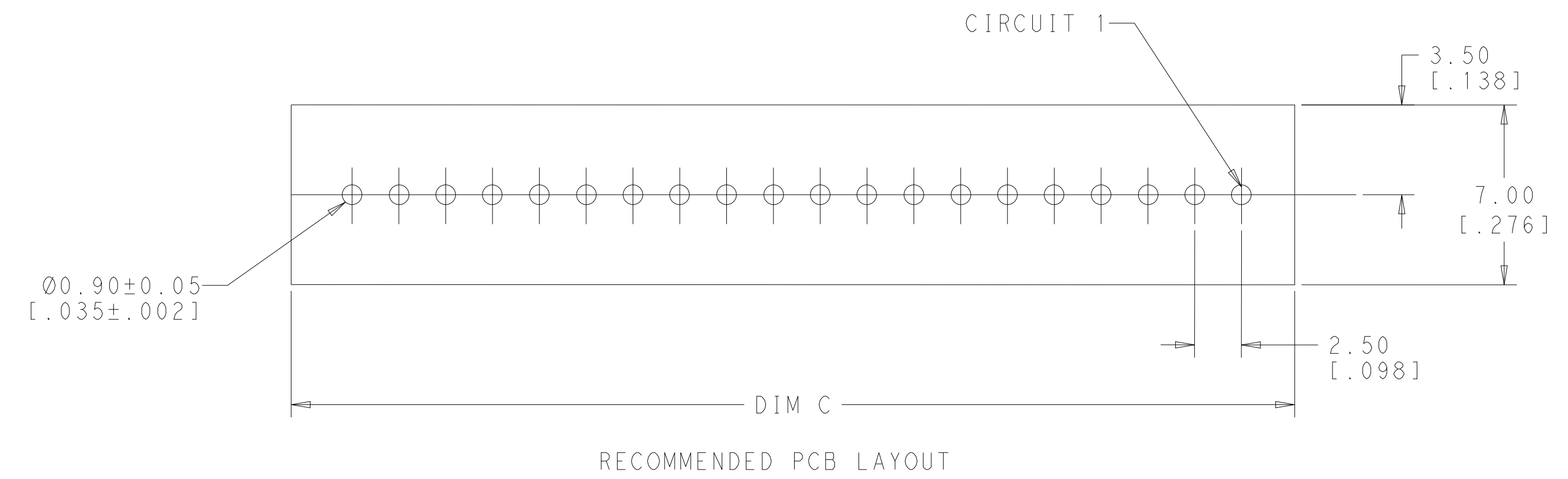
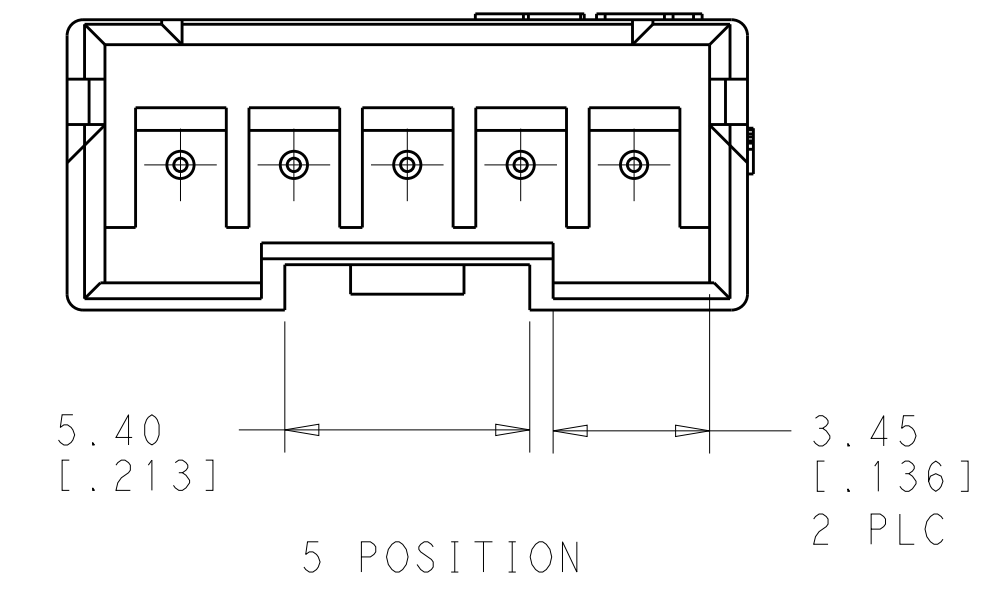
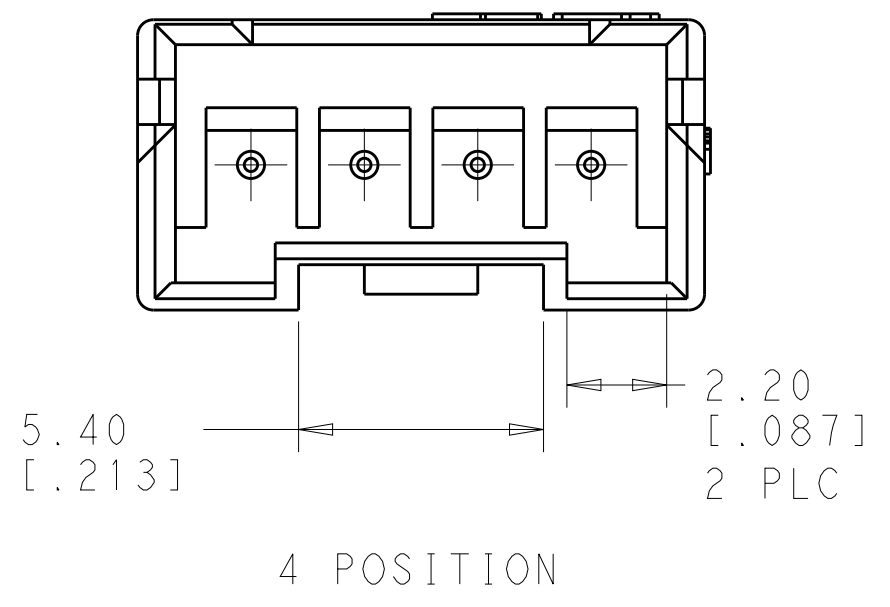
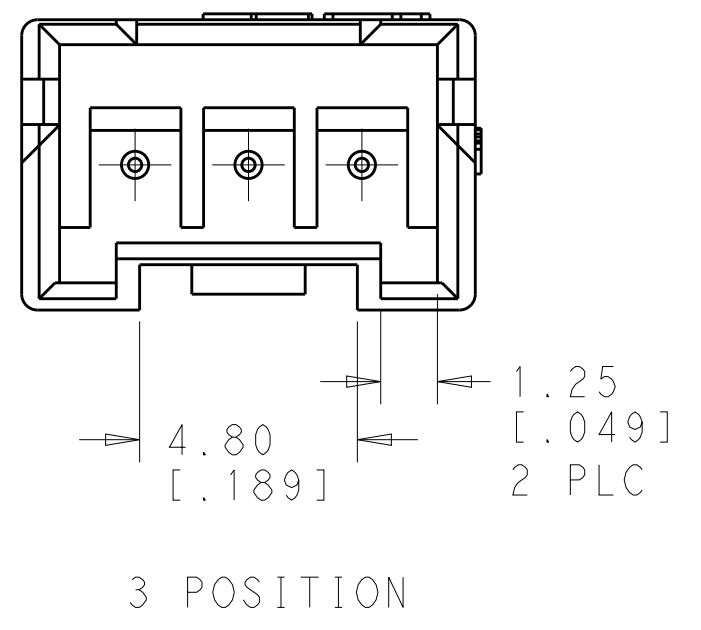
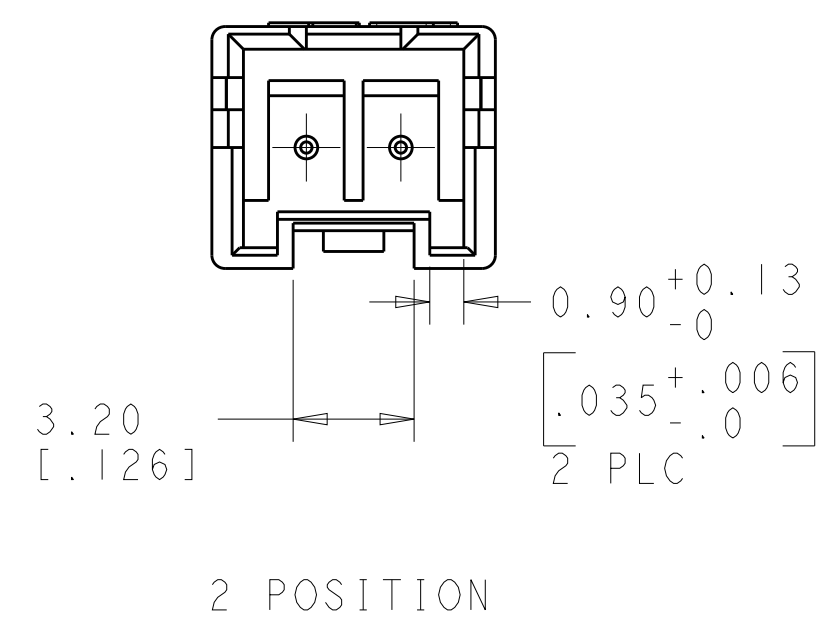


SECTION A-A



THIS DRAWING IS A CONTROLLED DOCUMENT.		OWN: RAGHAVENDRA 06JAN11	TE Connectivity NAME: HEADER ASSEMBLY, VERTICAL, ECONOMY POWER, 2.5mm CENTERLINE	
DIMENSIONS: mm [INCHES]		CHK: MACE SAMUEL 06JAN11		
TOLERANCES UNLESS OTHERWISE SPECIFIED:		PRODUCT SPEC: 108-2418	APPLICATION SPEC: 114-13315	SIZE: A1
0 PLC ±0.50	1 PLC ±0.30	2 PLC ±0.20	3 PLC ±0.10	4 PLC ±0.05
MATERIAL: -		FINISH: -	WEIGHT: -	CUSTOMER DRAWING
SCALE: 6:1		SHEET: 1 OF 2	REV: D4	RESTRICTED TO: -

REVISIONS				
P.	LTN	DESCRIPTION	DATE	APP'D
-	-	SEE SHEET 1	-	-



47.50[1.870]	50.83[2.001]	52.50[2.067]	20	2-2132415-0
45.00[1.772]	48.33[1.903]	50.00[1.968]	19	1-2132415-9
42.50[1.673]	45.83[1.804]	47.50[1.870]	18	1-2132415-8
40.00[1.575]	43.33[1.706]	45.00[1.772]	17	1-2132415-7
37.50[1.476]	40.83[1.607]	42.50[1.673]	16	1-2132415-6
35.00[1.378]	38.33[1.510]	40.00[1.575]	15	1-2132415-5
32.50[1.280]	35.83[1.411]	37.50[1.476]	14	1-2132415-4
30.00[1.181]	33.33[1.312]	35.00[1.378]	13	1-2132415-3
27.50[1.083]	30.83[1.214]	32.50[1.280]	12	1-2132415-2
25.00[.984]	28.33[1.115]	30.00[1.181]	11	1-2132415-1
22.50[.886]	25.83[1.016]	27.50[1.083]	10	1-2132415-0
20.00[.787]	23.33[.919]	25.00[.984]	9	2132415-9
17.50[.689]	20.83[.820]	22.50[.886]	8	2132415-8
15.00[.591]	18.33[.722]	20.00[.787]	7	2132415-7
12.50[.492]	15.83[.623]	17.50[.689]	6	2132415-6
10.00[.395]	13.33[.525]	15.00[.591]	5	2132415-5
7.50[.295]	10.83[.426]	12.50[.492]	4	2132415-4
5.00[.197]	8.33[.328]	10.00[.395]	3	2132415-3
2.50[.098]	5.83[.229]	7.50[.295]	2	2132415-2
DIM C	DIM B	DIM A	POS	PART NO

THIS DRAWING IS A CONTROLLED DOCUMENT. DWN: BRAGHAVENDRA 06JAN11
CHK: MACE SAMUEL 06JAN11

DIMENSIONS: mm [INCHES] TOLERANCES UNLESS OTHERWISE SPECIFIED:
0 PLC ±0.50
1 PLC ±0.30
2 PLC ±0.20
3 PLC ±0.10
4 PLC ±.0

MATERIAL: - FINISH: -

APPROVED: MACE SAMUEL 06JAN11
PRODUCT SPEC: 108-2418
APPLICATION SPEC: 114-13315

WEIGHT: -
CUSTOMER DRAWING

NAME: HEADER ASSEMBLY, VERTICAL, ECONOMY POWER, 2.5mm CENTERLINE
SIZE: A1 CAGE CODE: 100779 DRAWING NO: 2132415
RESTRICTED TO: -

SCALE: 6:1 SHEET: 2 OF 2 REV: D4