

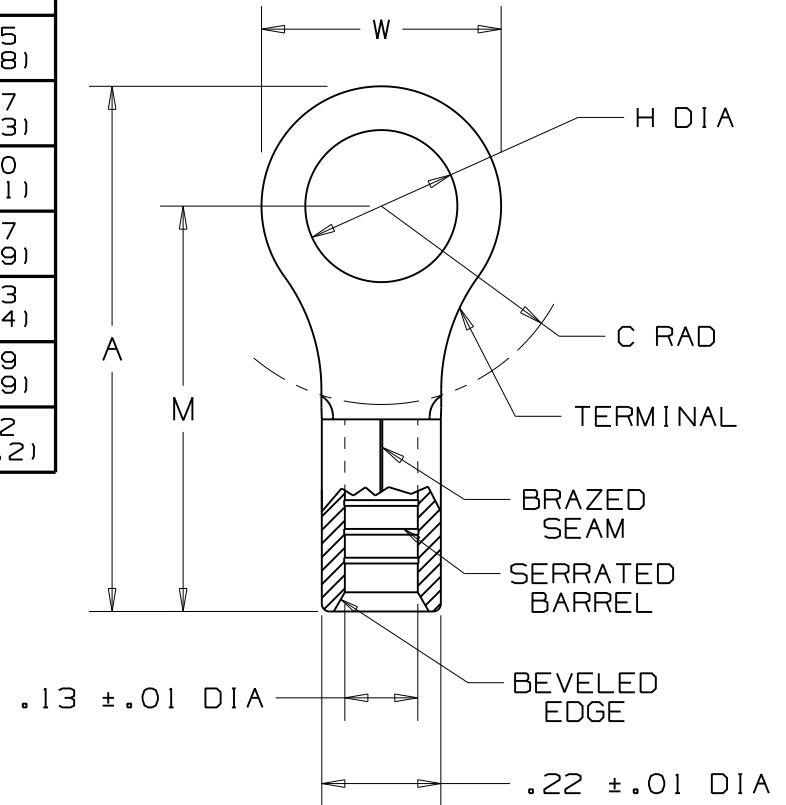
THIS COPY IS PROVIDED ON A RESTRICTED BASIS AND IS NOT TO BE USED IN ANY WAY DETRIMENTAL TO THE INTERESTS OF PANDUIT CORP.

PANDUIT PART NUMBER	MILITARY PART NO. AND CLASS	STUD SIZE	DIMENSIONS in.				
			A $\pm .03$	W $\pm .01$	C $\pm .02$	M $\pm .03$	H $\pm .01$
P10-6R	MS20659-165 CLASS 1 & 2	#6	.78 (19.8)	.31 (7.9)	.31 (7.9)	.62 (15.8)	.15 (3.8)
P10-8R	-----	#8	.78 (19.8)	.31 (7.9)	.31 (7.9)	.62 (15.8)	.17 (4.3)
P10-10R	MS20659-105 CLASS 1 & 2	#10	.81 (20.6)	.38 (9.7)	.31 (7.9)	.62 (15.8)	.20 (5.1)
P10-14R	-----	1/4"	.96 (24.4)	.52 (13.2)	.38 (9.7)	.70 (17.8)	.27 (6.9)
P10-56R	MS20659-106 CLASS 1 & 2	5/16"	.95 (24.1)	.52 (13.2)	.38 (9.7)	.70 (17.8)	.33 (8.4)
P10-38R	MS20659-128 CLASS 1 & 2	3/8"	1.05 (26.7)	.58 (14.7)	.44 (11.2)	.75 (19.1)	.39 (9.9)
P10-12R	-----	1/2"	1.20 (30.5)	.72 (18.3)	.53 (13.5)	.84 (21.3)	.52 (13.2)

NOTES:

- 1) UL LISTED AND CSA CERTIFIED FOR:
 - A. #14-10 AWG (2.5-6.0 mm²) SOLID OR STRANDED COPPER WIRE
 - B. 302°F. (150°C) MAX. TEMP. RATING
- 2) MATERIAL:
 - A. STAMPING- .04" (1.02) THK. COPPER, TIN PLATED
- 3) WIRE STRIP LENGTH- 9/32" +1/32, -0 (7.1, +.8, -0)
- 4) SEE www.panduit.com FOR PART NUMBER SUFFIX DESIGNATION FOR PACKAGE SIZE.
- 5) DIMENSIONS IN PARENTHESIS ARE IN MILLIMETERS
- 6) INSTALLATION TOOLS:
 - A. UL LISTED AND CSA CERTIFIED: CT-100, CT-100A, CT-200, CT-600A, CT-1570, CT-1701, CT-2500
 - B. PANDUIT APPROVED: CT-160, CT-260

Panduit part numbers shown on this drawing meet the material requirements of RoHS (EUROPEAN DIRECTIVES 2002/95/EC) as proposed by the Technical Adaptation Committee.



PANDUIT

CORP.

TINLEY PARK, ILLINOIS

NON-INSULATED,
12-10 BARREL, RINGS

REV	DATE	BY	DESCRIPTION	CUST	PM	DRAWN BY	CHK'D	SCALE	DRAWING NO.
09	5/11	SHOR	MODIFIED NOTE #4 AND ADDED INSTALLATION TOOLS			FES		NONE	A41188
08	11/07	SRB	ADDED INSTALLATION TOOL CT-1570						

Mouser Electronics

Authorized Distributor

Click to View Pricing, Inventory, Delivery & Lifecycle Information:

[Panduit:](#)

[P10-56R-L](#) [P10-8R-L](#) [P10-12R-L](#) [P10-10R-D](#) [P10-10R-Q](#) [P10-14R-D](#) [P10-38R-D](#) [P10-38R-L](#) [P10-56R-D](#) [P10-6R-D](#) [P10-8R-D](#) [P10-10R-L](#) [P10-6R-L](#) [P10-14R-L](#) [P10-6R-Q](#) [P10-10R-E](#) [P10-14R-E](#)