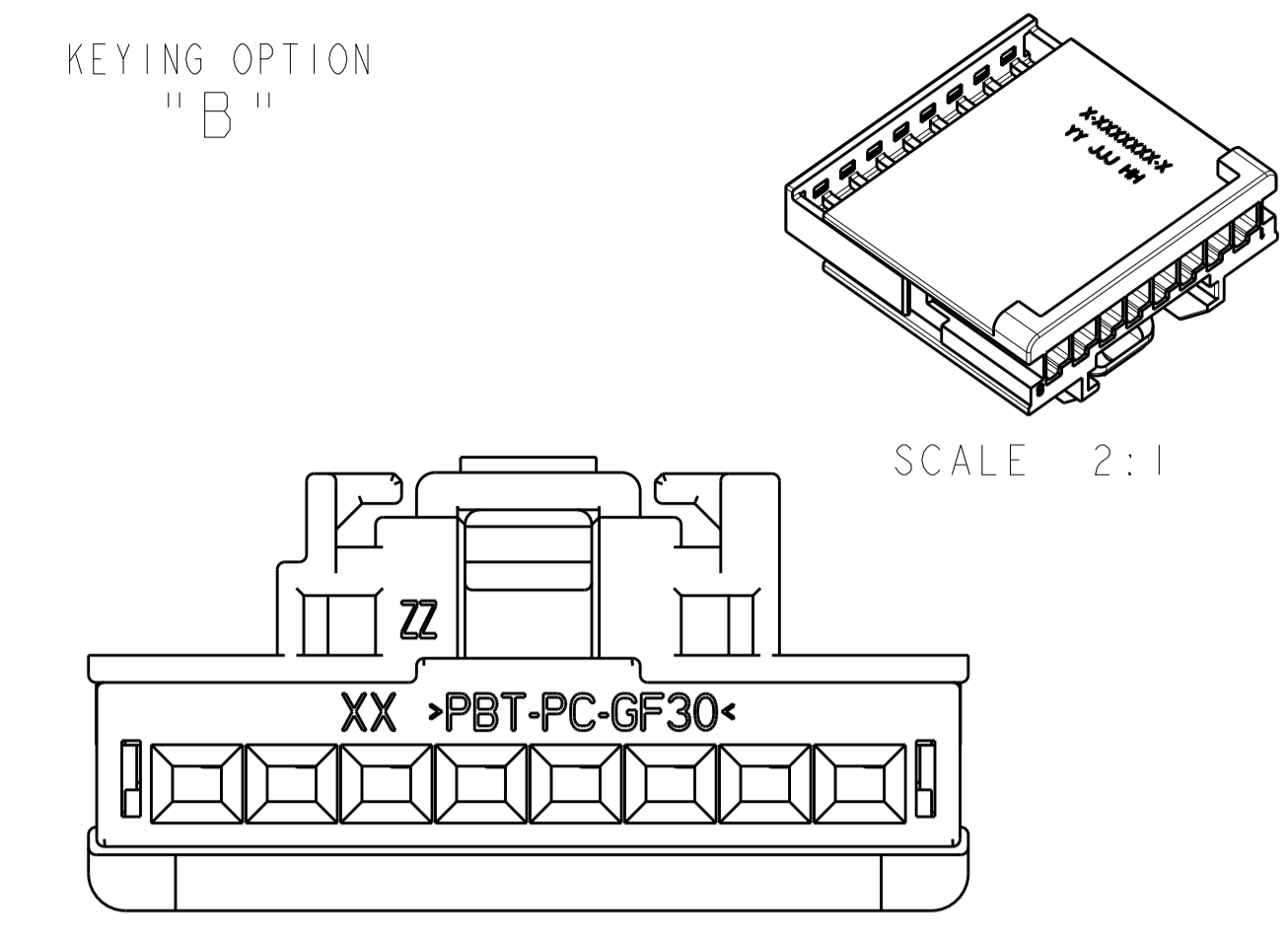
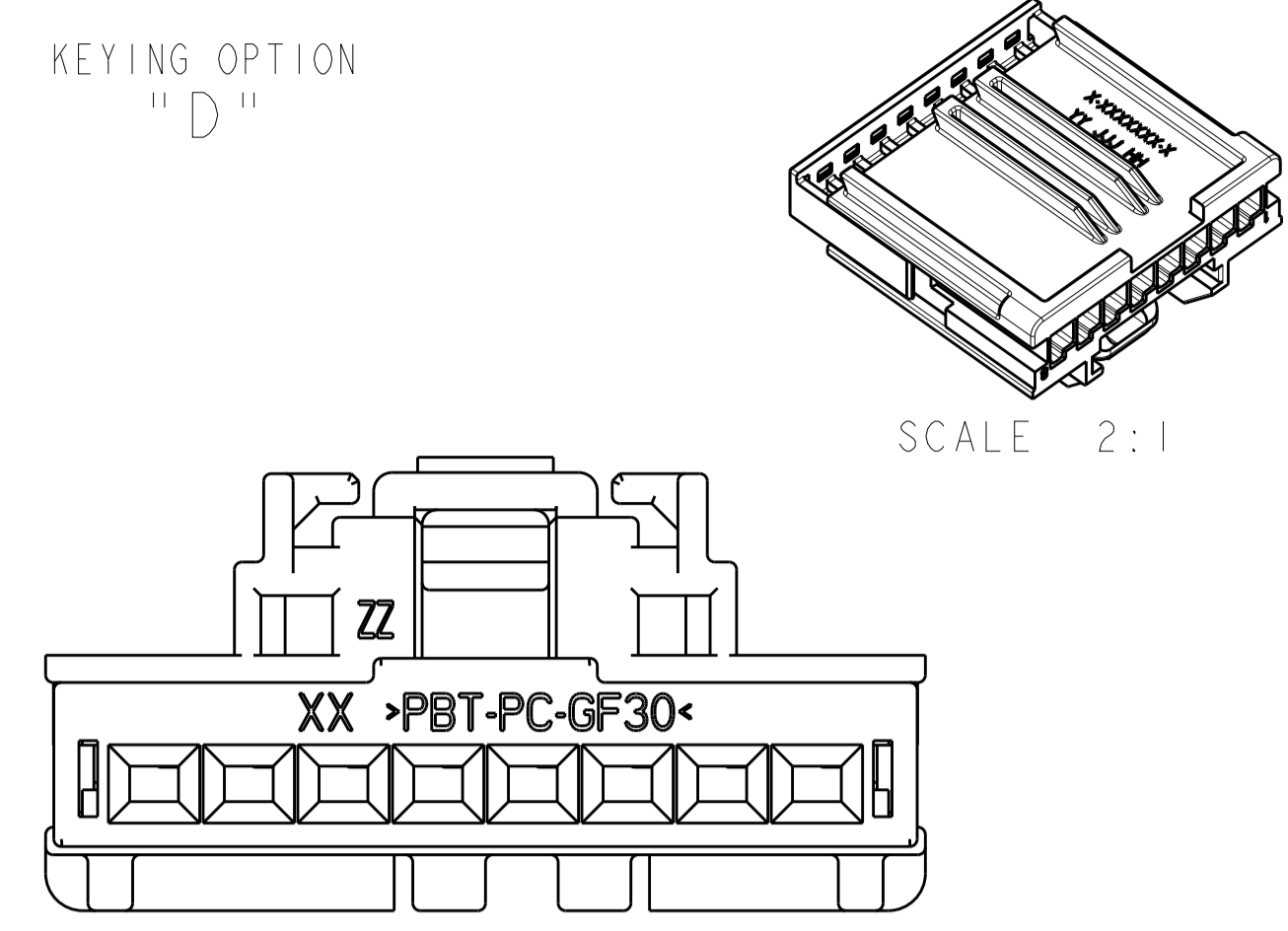
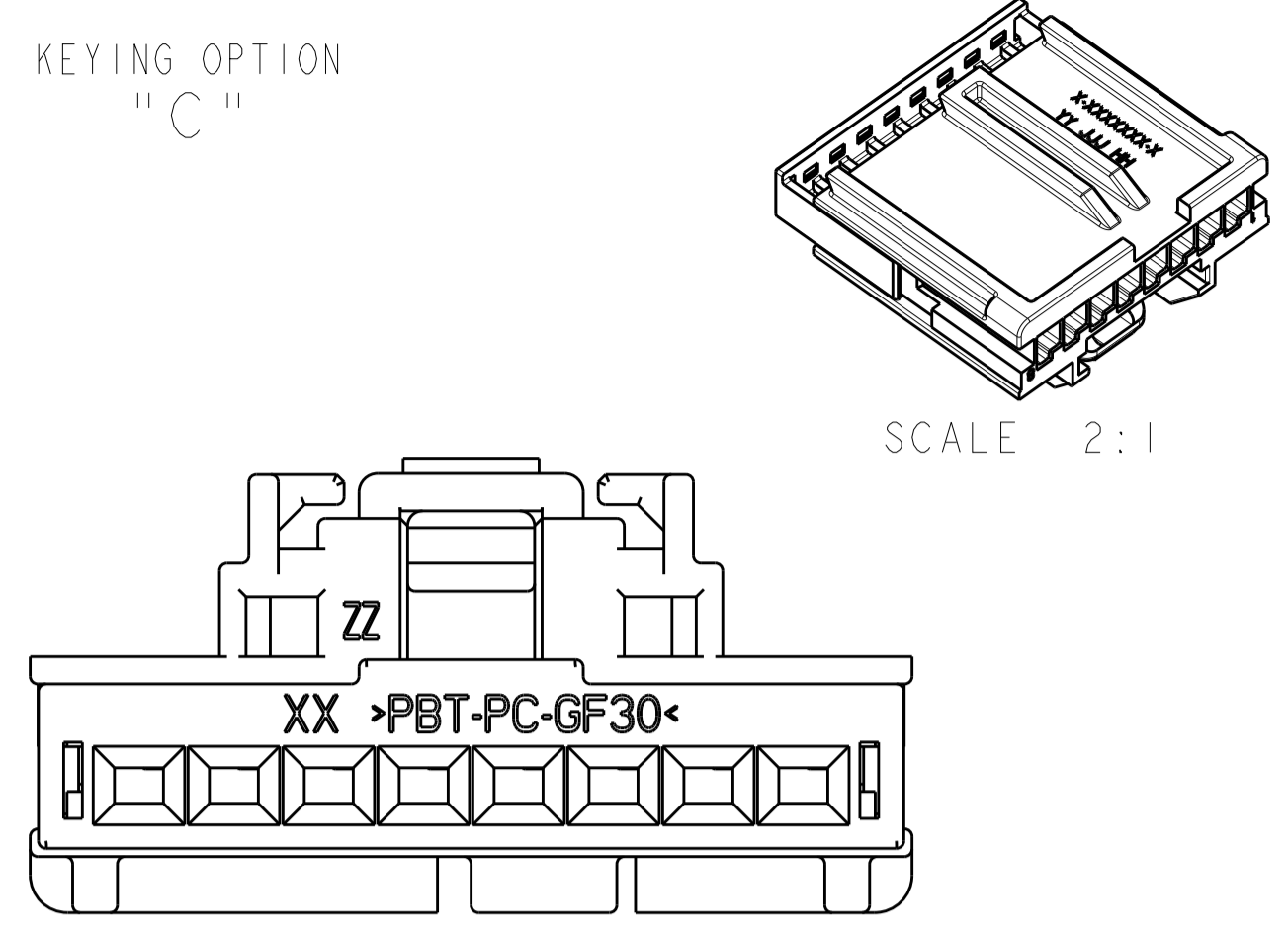
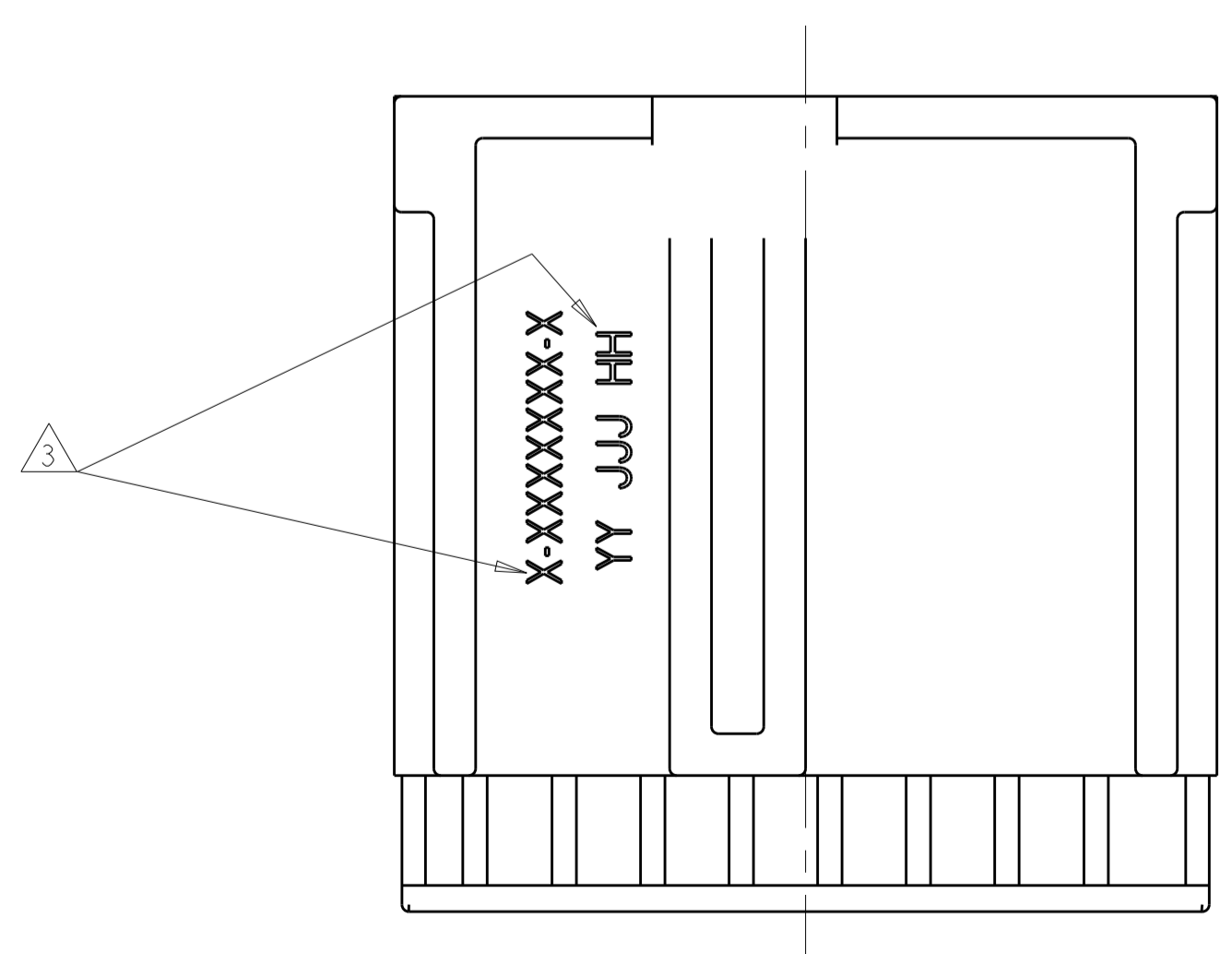
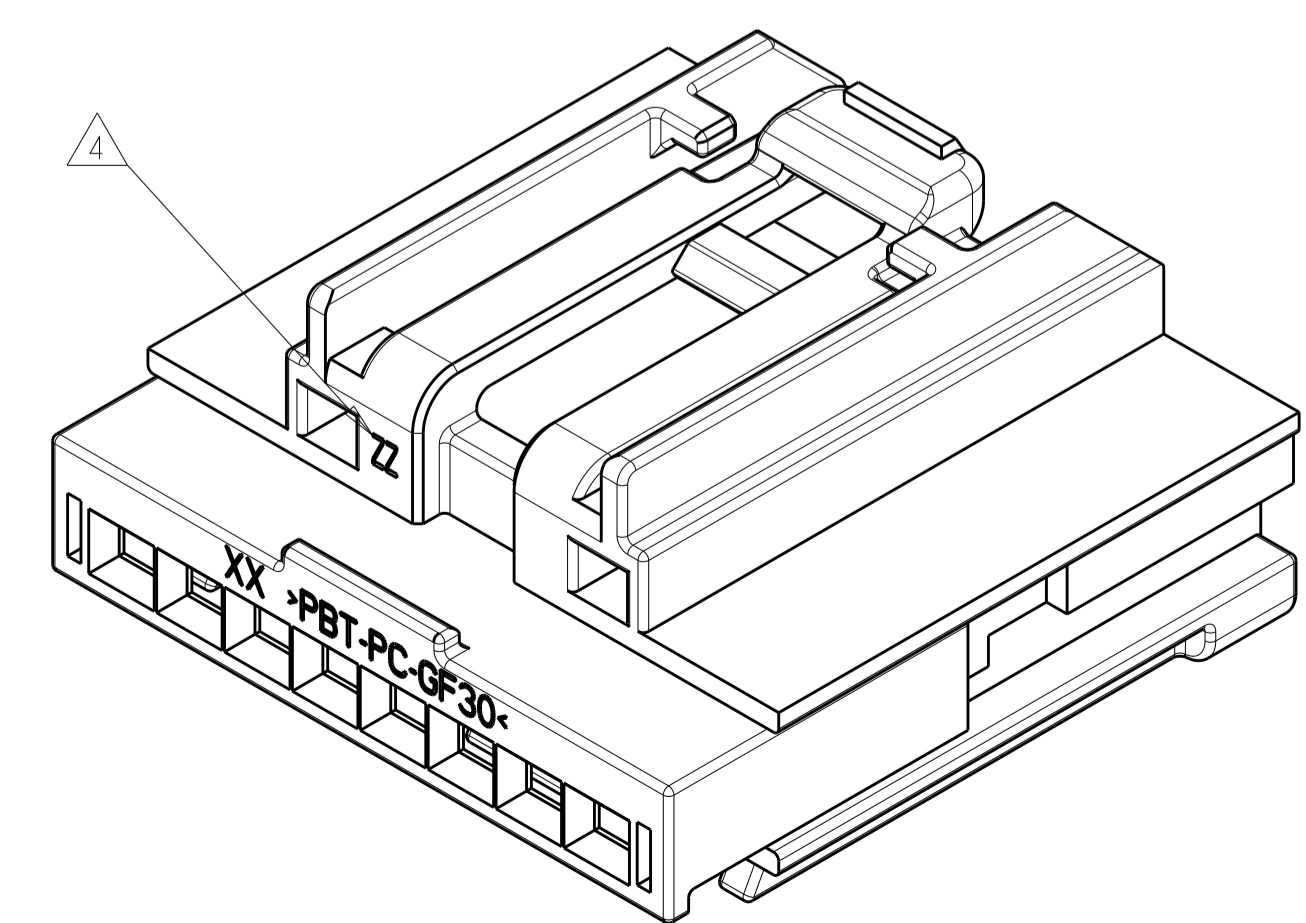
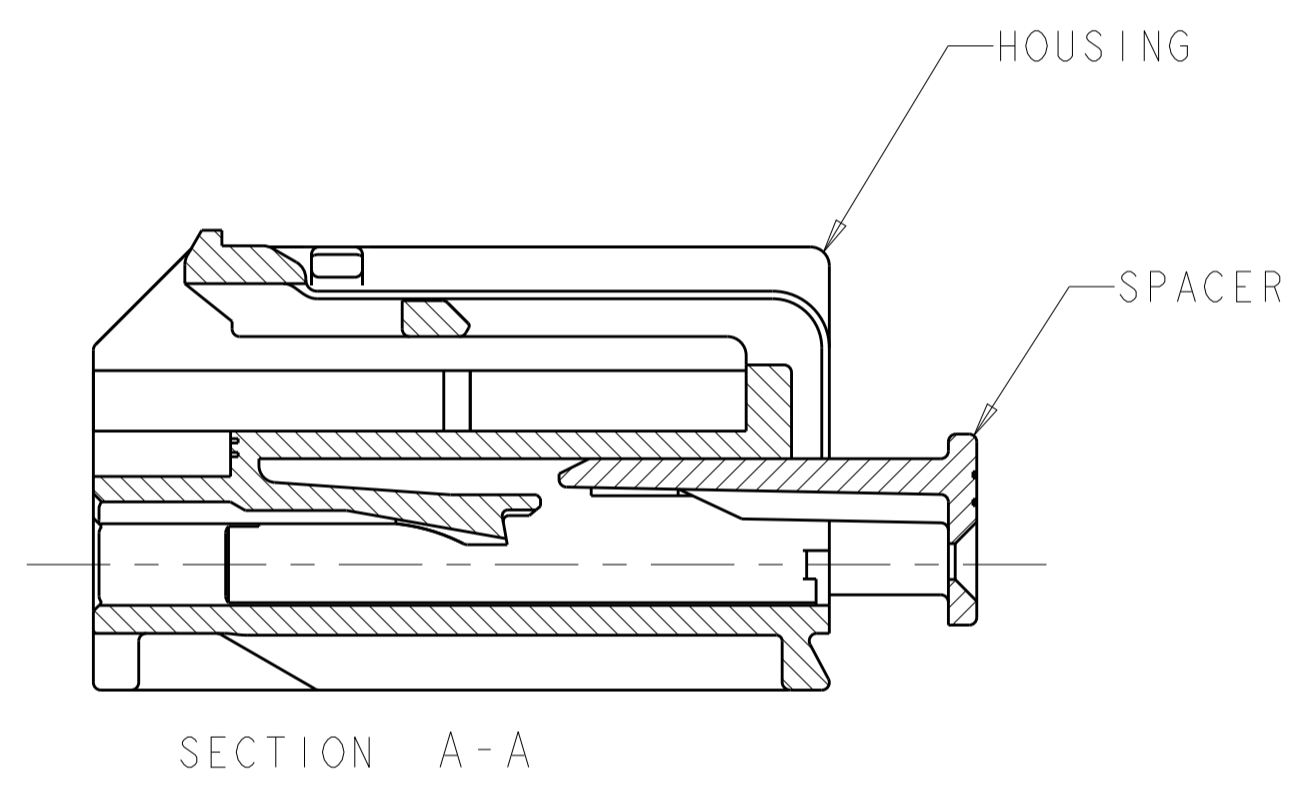
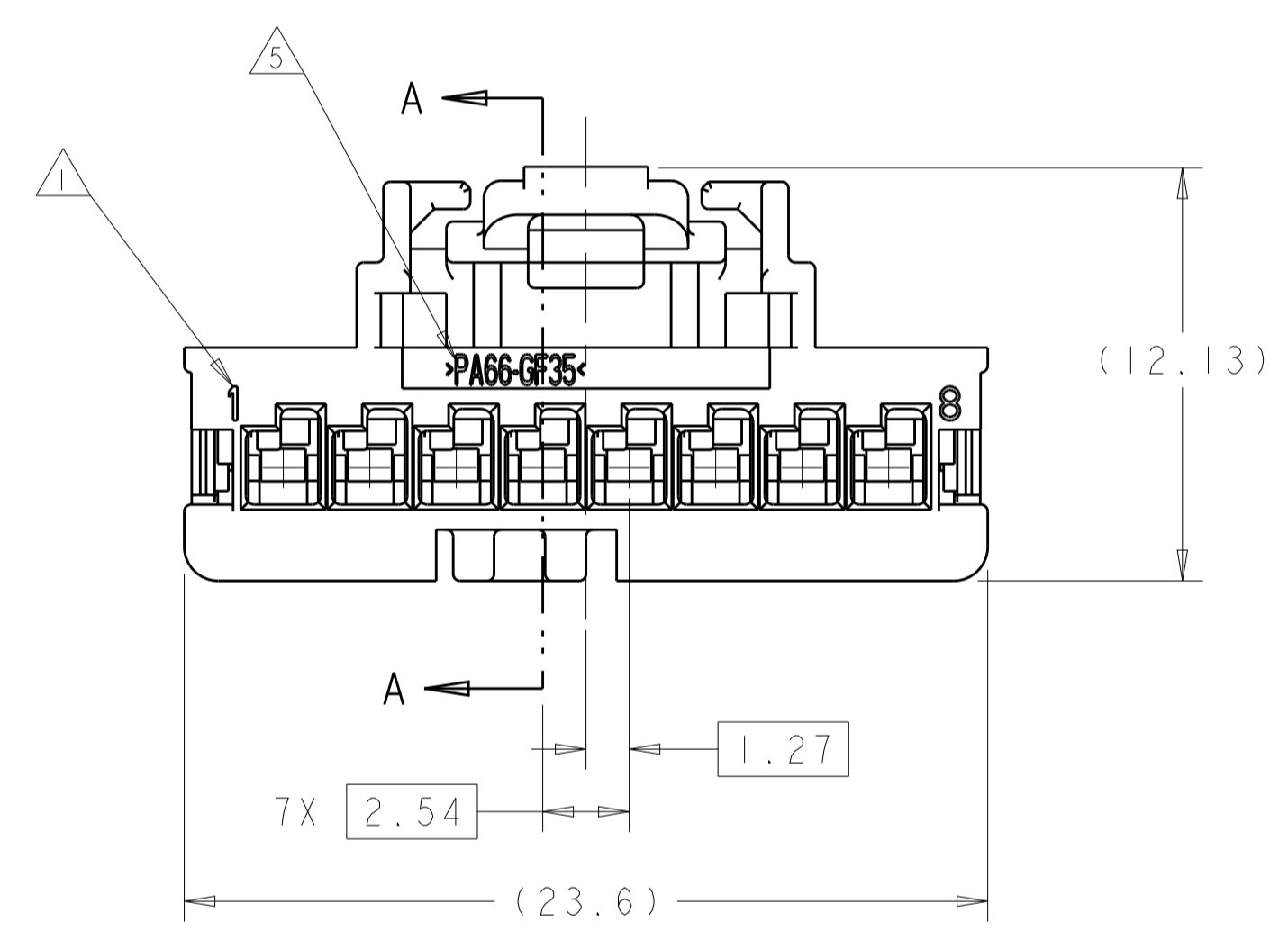
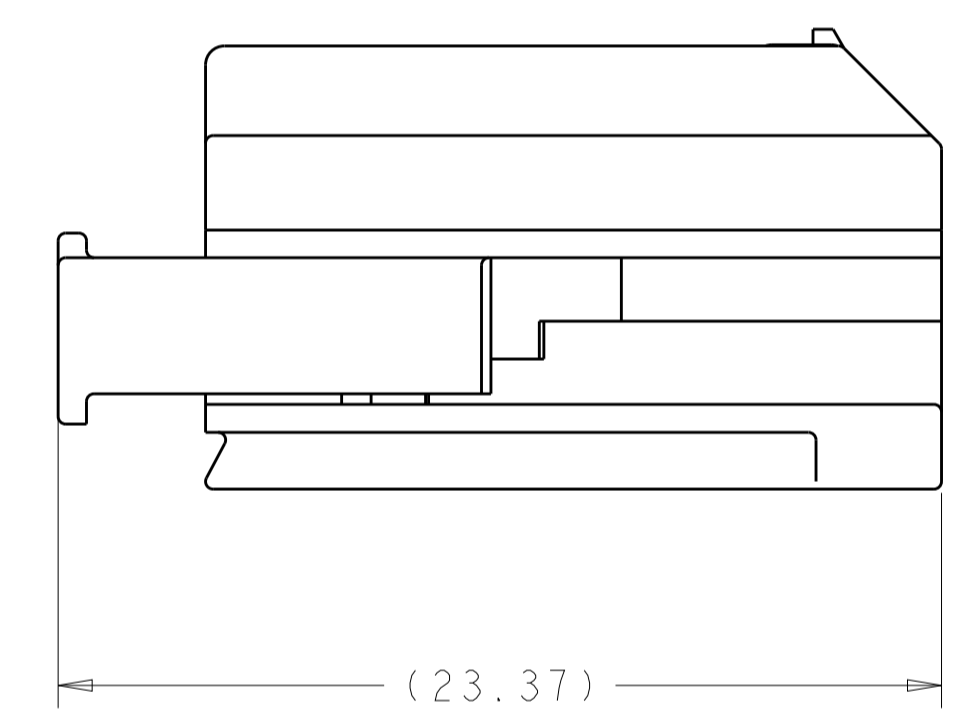
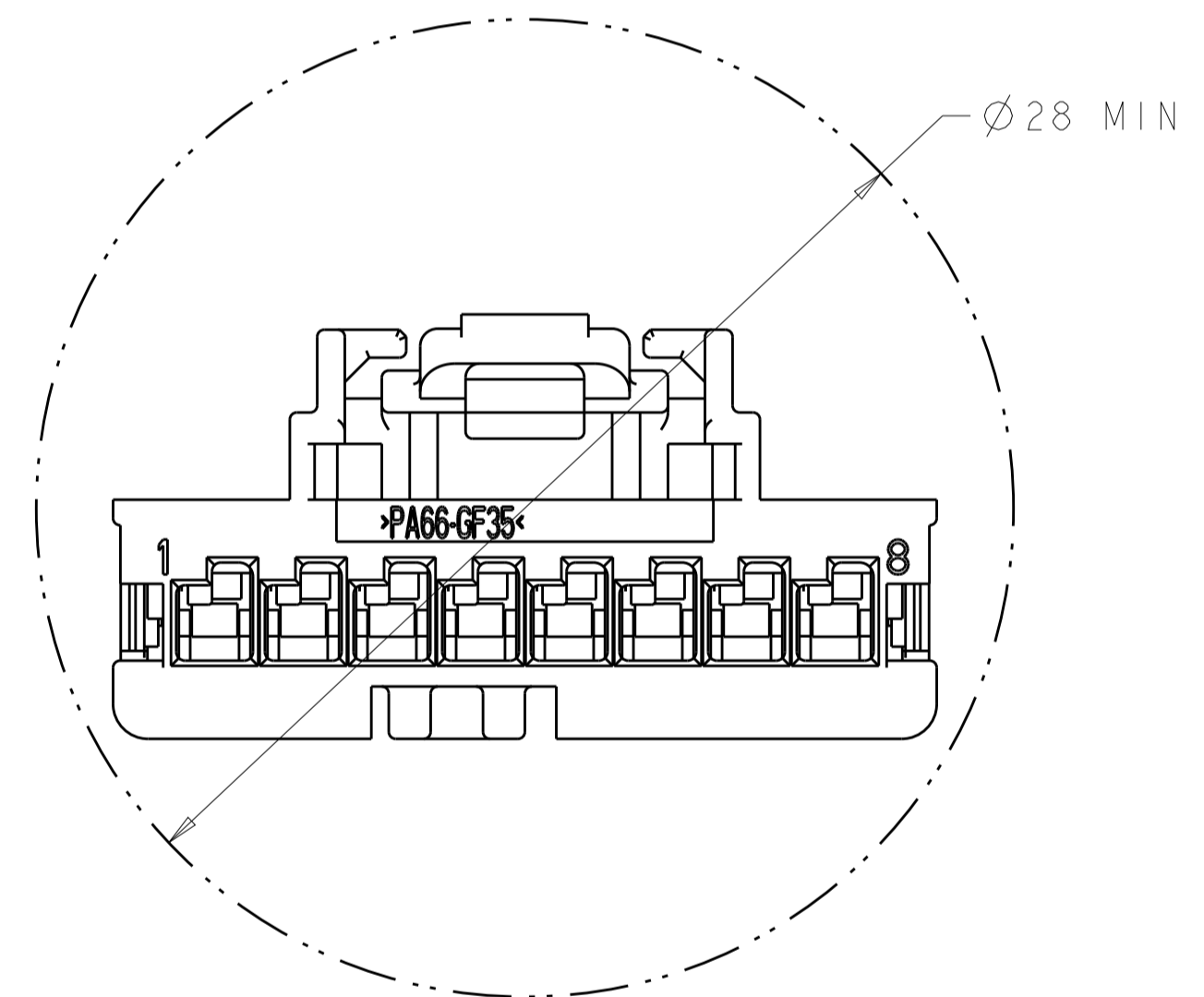


LOC	DIST	REVISIONS			
P	LTH	DESCRIPTION	DATE	DWN	APVD
A1		REVISED PER ECO-11-007403	08APR2011	DD	RL
A2		REVISED PER ECO-11-010896	31MAY2011	DD	RL
A3		REVISED PER ECO-11-015077	15SEP2011	DD	RL
A4		ECO-17-017583	01DEC2017	KP	CM



- 1. TERMINAL CAVITY ID.
- 2. SPACER IS SHIPPED IN PRE-ASSEMBLY POSITION.
- 3. TE ASSEMBLY PART NUMBER AND DATE CODE LOCATED ON THIS SURFACE. LOCATION AND ORIENTATION OPTIONAL.
- 4. MOLD CAVITY ID.
- 5. MATERIAL IDENTIFICATION.
- 6. PACKAGING: CONNECTOR ASSEMBLIES BULK PACKED IN CARDBOARD BOX.
- 7. DURING SHIPPING AND HANDLING THE TPA MAY BE DISPLACED TO IT'S LOCKED POSITION. THE CONNECTOR CAN BE RETURNED TO IT'S PROPER FUNCTION USING IS SHEET 408-10104.
- 8. APPLICABLE TERMINAL PART NUMBERS (SOLD SEPARATELY) GOLD APPLICATIONS 1393364 AND 1393365. TIN APPLICATIONS 1393366 AND 1393367 FOR TERMINATION AND REELING OPTIONS, SEE DRAWINGS: 1393364, 1393365, 1393366 AND 1393367.



"B"	PBT	RED	NYLON	BLACK	1924639-3
"D"	PBT	RED	NYLON	BLACK	1924639-2
"C"	PBT	RED	NYLON	BLACK	1924639-1
KEY	MATERIAL	COLOR	MATERIAL	COLOR	PART NUMBER
	SPACER		HOUSING		

THIS DRAWING IS A CONTROLLED DOCUMENT.

DWN: R. VESTAL 10AUG2007  
 CHK: D. STRAUSSER 10AUG2007  
 APVD: D. STRAUSSER 10AUG2007

TE Connectivity

NAME: IX8 POSITION, GET FEMALE CONNECTOR ASSEMBLY, UNSEALED, LOW PROFILE LATCH

SIZE: A1 CAGE CODE: 100779 DRAWING NO: 1924639

MATERIAL: - FINISH: - WEIGHT: - CUSTOMER DRAWING

SCALE: 5:1 SHEET 1 OF 1 REV: A4

# Mouser Electronics

Authorized Distributor

Click to View Pricing, Inventory, Delivery & Lifecycle Information:

[TE Connectivity:](#)

[1924639-2](#)