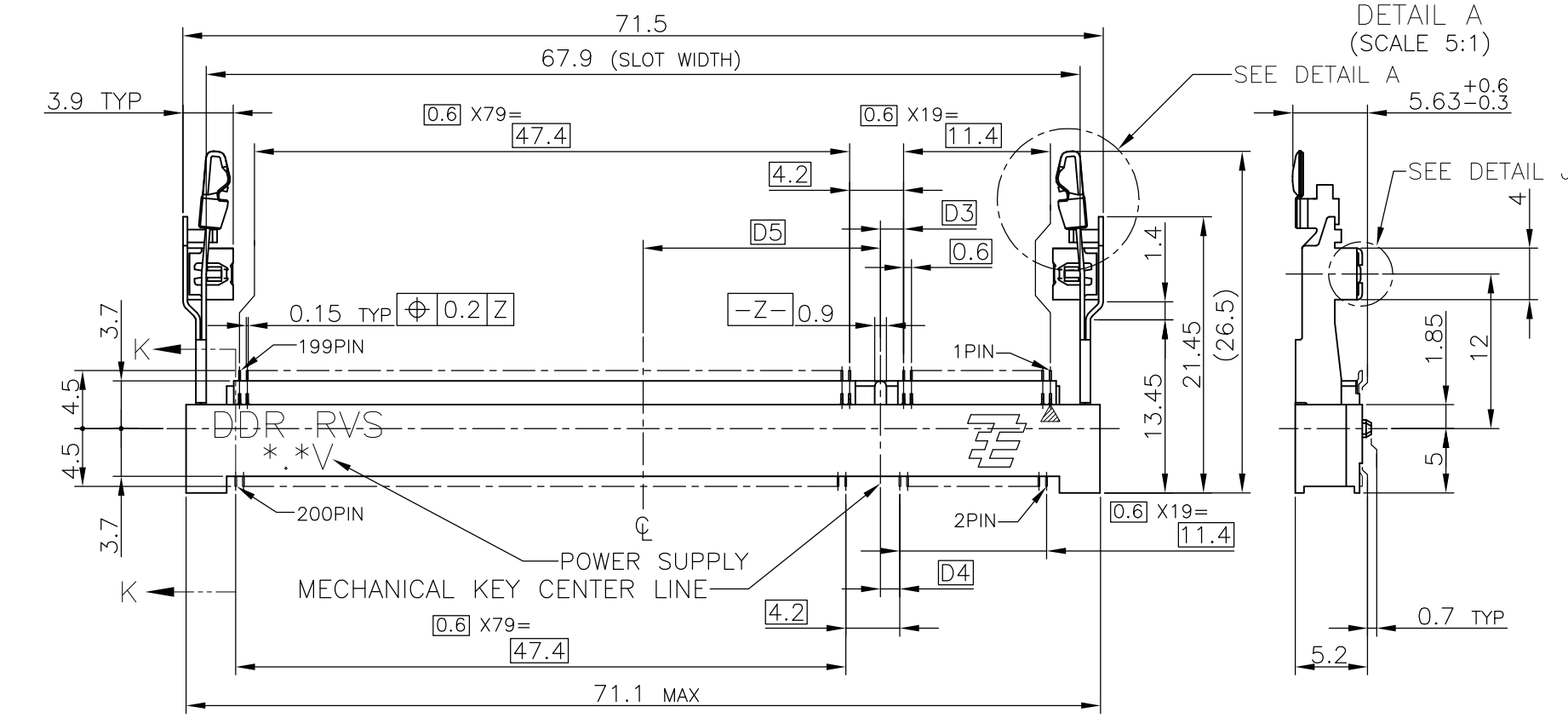
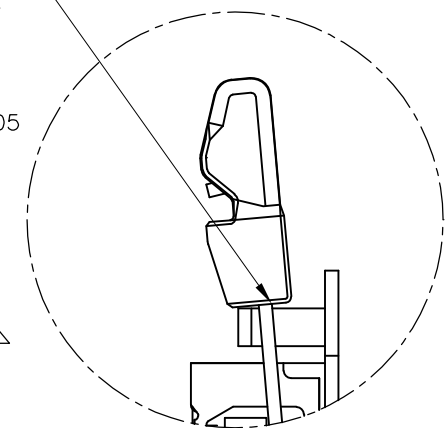
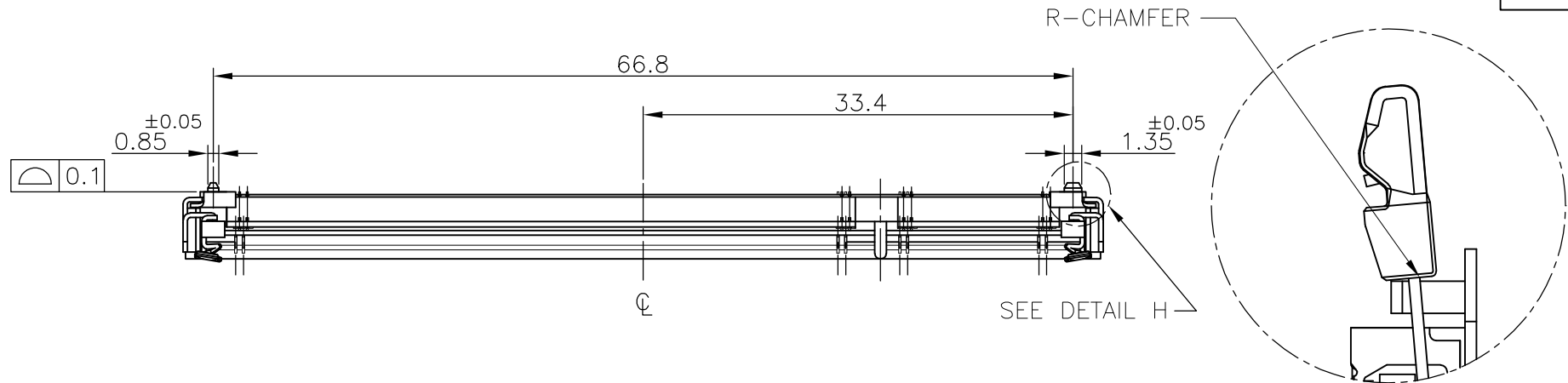
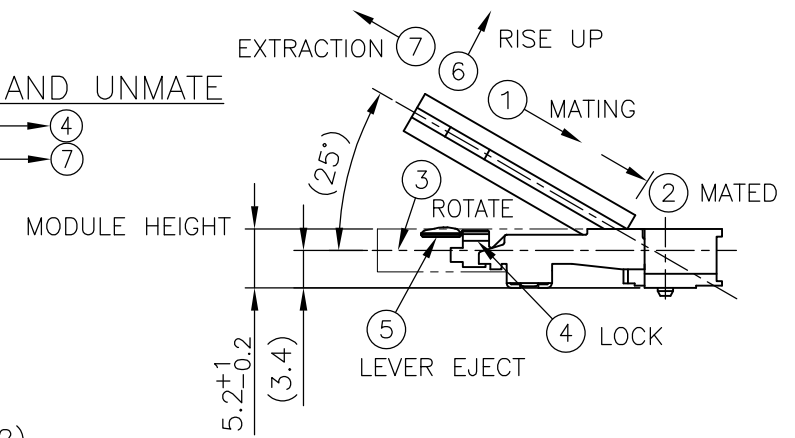
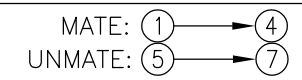


THIS DRAWING IS UNPUBLISHED. RELEASED FOR PUBLICATION OCT ,2001.  
 © COPYRIGHT 2001 BY TYCO ELECTRONICS CORPORATION. ALL RIGHTS RESERVED.

LOC		DIST		REVISIONS					
ES		/		P	LTR	DESCRIPTION	DATE	DWN	APVD
				B1	ECR-10-014987		19JUL10	B.W	S.Y

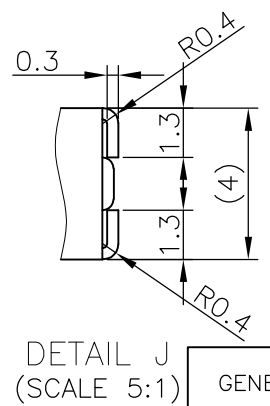
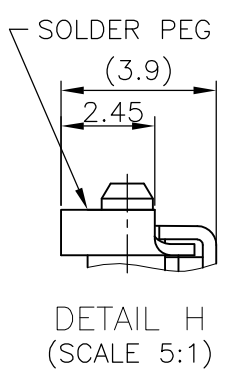
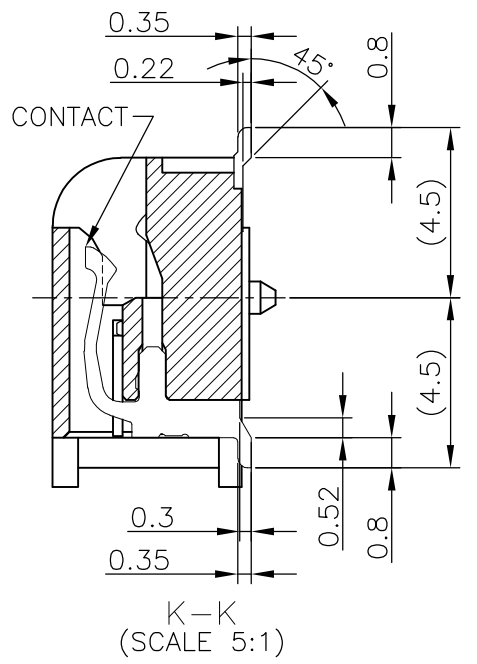


HOW TO MATE AND UNMATE



(APPLIED TO SHEET 1-2)

- MATERIAL ; HOUSING: HIGH TEMPERATURE THERMO PLASTIC UL94V-0  
CONTACT: COPPER ARROY  
LOCK LEVER STAINLESS STEEL  
SOLDER PEG: COPPER ARROY
- FINISH ; CONTACT AREA: GOLD FLASH ON 0.0013MIN ALL OVER NICKEL.  
SOLDERING AREA: GOLD FLASH PLT.  
SOLDER PEG: TIN PLATING.
- MECHANICAL KEY POSITION OF CONNECTOR SEE TABLE.
- TOLERANCES NON-CUMULATIVE.
- NOT TO SCALE.
- INSIDE MUST BE RESIST COAT EXCEPT SOLDER PATTERN.
- IF THE MODULE DOESN'T INSERT AND LOCK IN THE LATCH SMOOTHLY, OPEN WIDE BOTH LATCHES BY MANUAL. AND THE MODULE MUST BE INSERTED AND LOCKED IN THE LATCH.
- FINISH ; CONTACT AREA: 0.00076 GOLD ON 0.0013MIN ALL OVER NICKEL.  
SOLDERING AREA: GOLD FLASH PLT.  
SOLDER PEG: TIN PLATING.



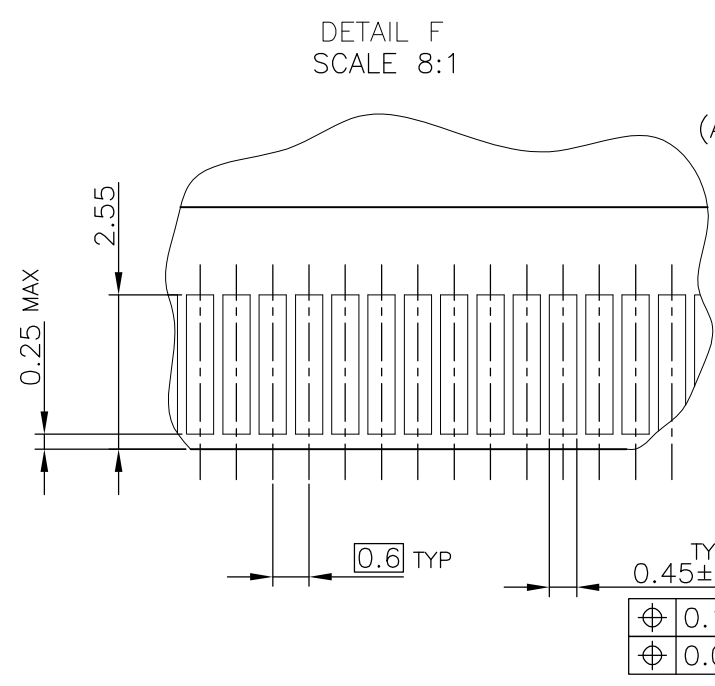
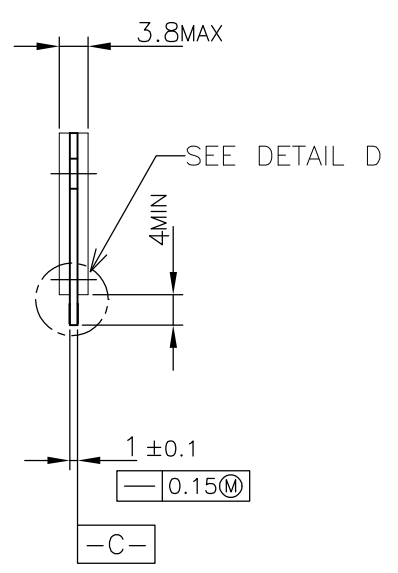
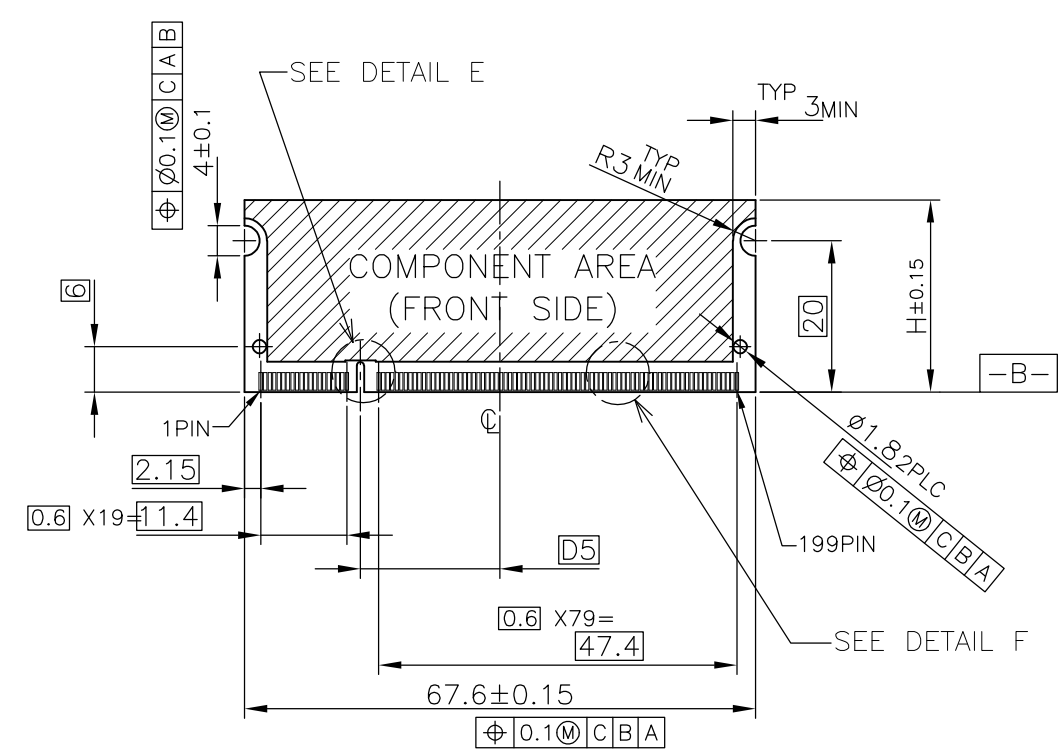
GENERAL TOLERANCE  
 10 ≥ : ±0.2  
 30 ≥ > 10 : ±0.25  
 100 ≥ > 30 : ±0.3  
 ANGLES : ±3°

△	-	1.8V (DDR2)	17.55	2.4	2.7	200	1932180-1
FINISH	TOOLING STATUS	POWER SUPPLY	D5	D4	D3	POS	PART NO.
THIS DRAWING IS A CONTROLLED DOCUMENT.		DWN C.KEVIN 24SEP08	Tyco Electronics Corporation Shanghai, P.R.China, 200233				
DIMENSIONS: MM		CHK T.FUMIKURA 26SEP08					
TOLERANCES UNLESS OTHERWISE SPECIFIED:		APVD Y.STEVEN 27SEP08					
		PRODUCT SPEC 108-5701	NAME DDR2 SODIMM SOCKET 0.6mm PITCH 200POS STANDARD PROFILE REVERSE TYPE (NEW PEG TYPE)				
MATERIAL		FINISH	WEIGHT	SIZE	CAGE CODE	DRAWING NO	RESTRICTED TO
			-	A3	00779	C-1932180	
CUSTOMER DRAWING						SCALE 2:1	SHEET 1 OF 5 REV B1

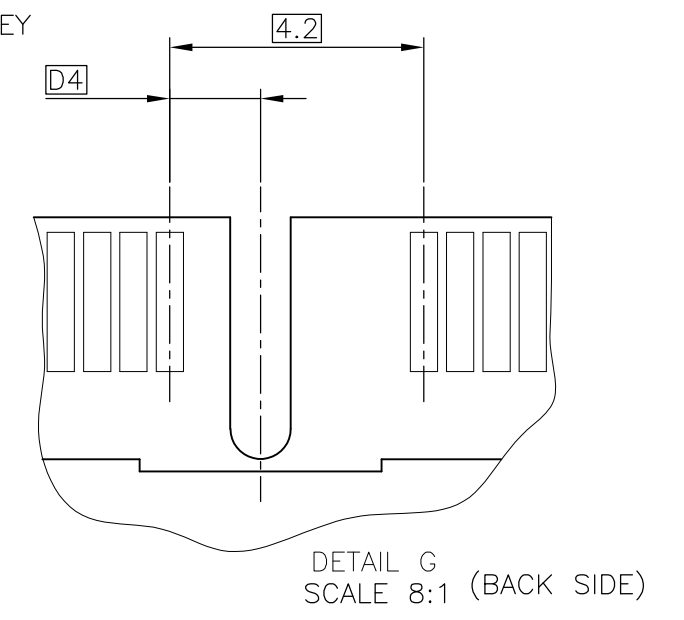
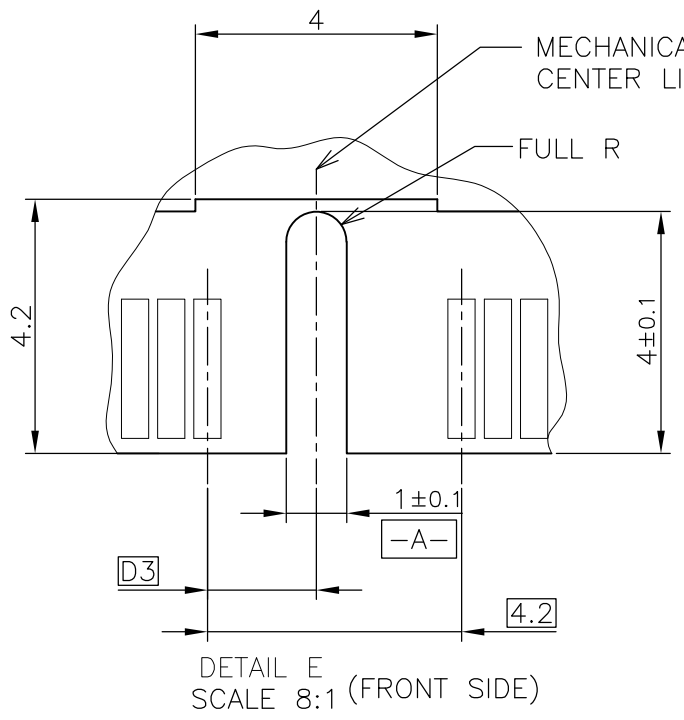
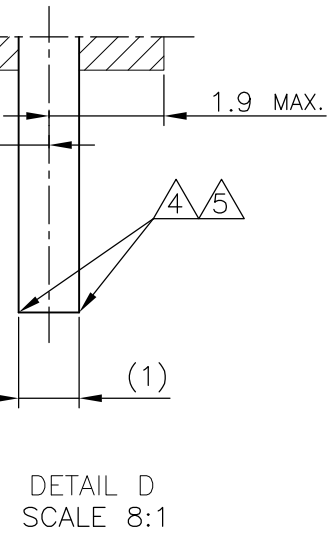
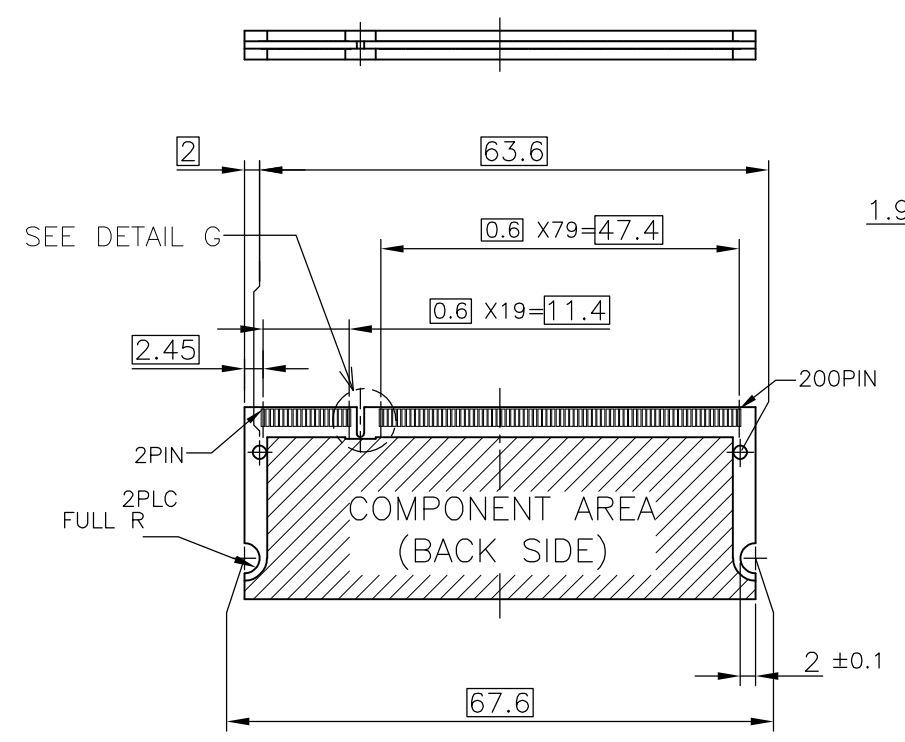


THIS DRAWING IS UNPUBLISHED. RELEASED FOR PUBLICATION OCT., 2001.  
 © COPYRIGHT 2001 BY TYCO ELECTRONICS CORPORATION. ALL RIGHTS RESERVED.

LOC		DIST		REVISIONS					
ES				P	LTR	DESCRIPTION	DATE	DWN	APVD
					-	SEE SHEET 1	-	-	-



- (APPLIED TO SHEET 3)
1. TOLERANCES ON ALL DIMENSIONS ±0.15 UNLESS OTHERWISE SPECIFIED.
  2. P.C. BOARD THICKNESS APPLIES ACROSS TABS AND INCLUDES PLATING AND/OR METALIZATION.
  3. FINISH OF PAD : GOLD PLATING 0.00076 MIN. OVER Ni PLATING 0.002MIN.
- ▲ NO BURR
- ▲ CHAMFER 0.25 MAX x 45° IF EXIST.

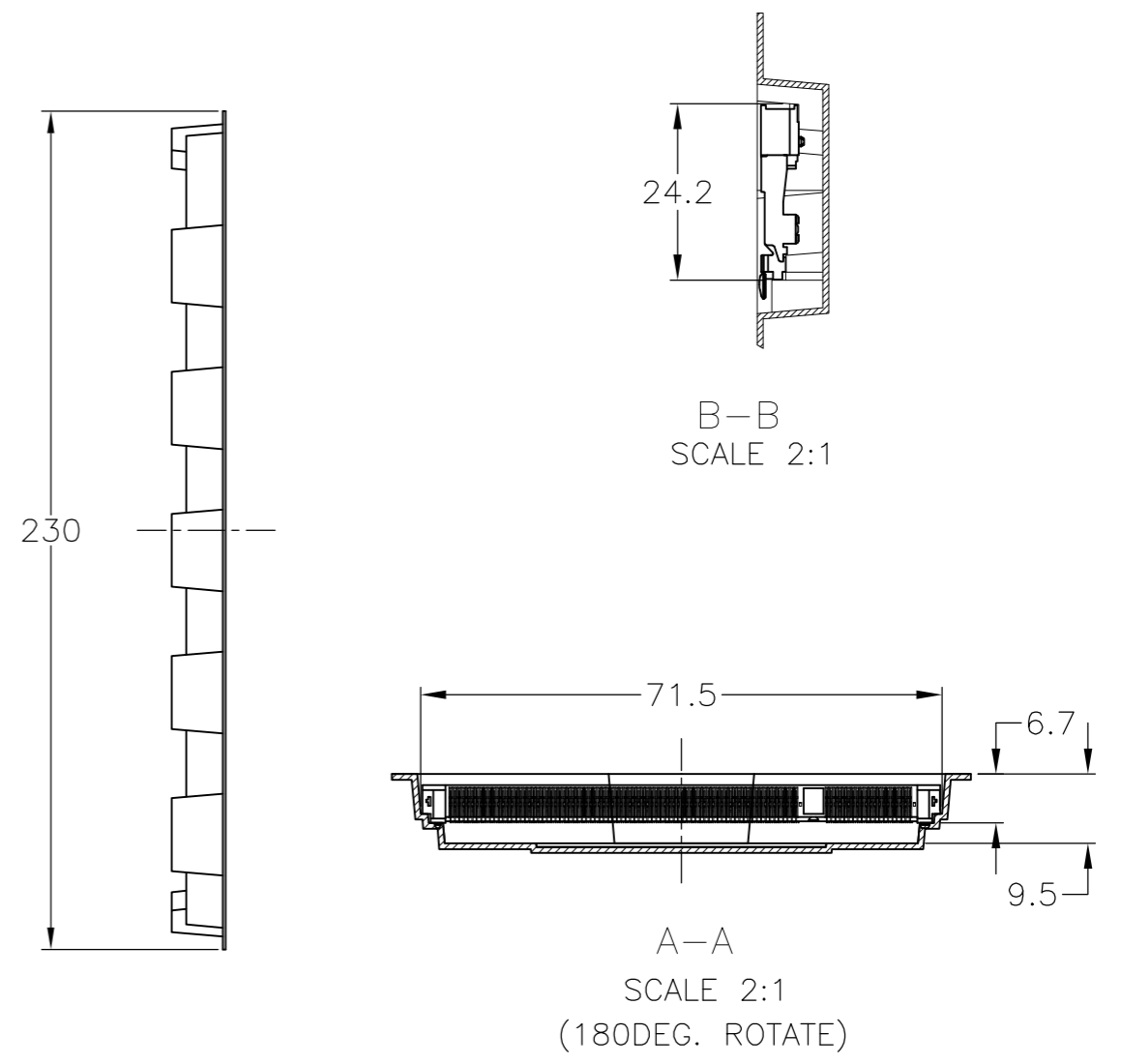
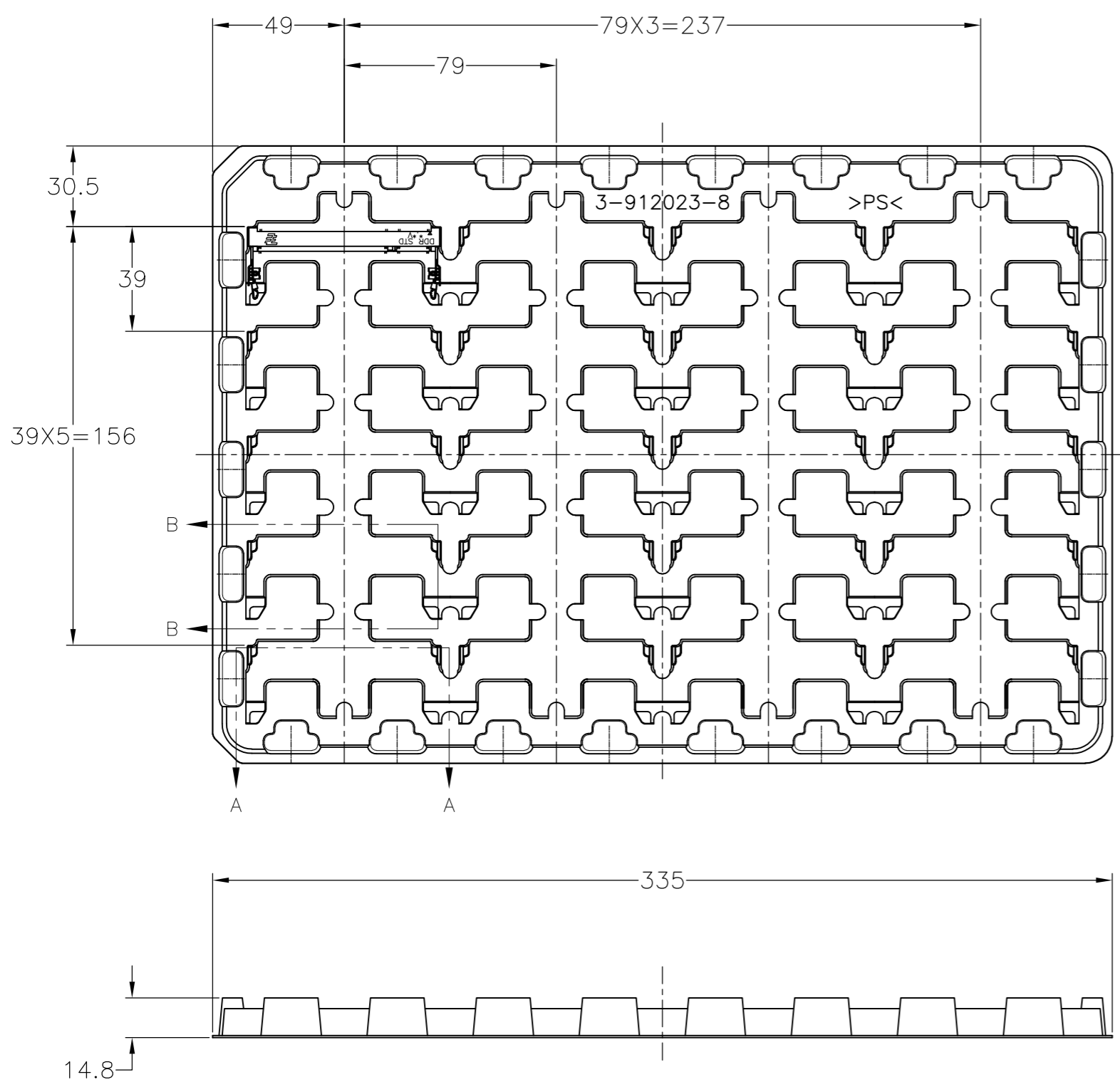


RECOMMENDED MATING P.C.B CONFIGURATION

THIS DRAWING IS A CONTROLLED DOCUMENT.		DWN	31.75			
DIMENSIONS: MM		CHK	H			
TOLERANCES UNLESS OTHERWISE SPECIFIED:		APVD	1.8V			
0 PLC ±		PRODUCT SPEC	17.55			
1 PLC ±		APPLICATION SPEC	2.4			
2 PLC ±		WEIGHT	2.7			
3 PLC ±		CUSTOMER DRAWING	POWER SUPPLY			
4 PLC ±			D5 D4 D3			
ANGLES ±		Tyco Electronics Corporation Shanghai, P.R.China, 200233				
FINISH		NAME DDR2 SODIMM SOCKET 0.6mm PITCH 200POS STANDARD PROFILE REVERSE TYPE (NEW PEG TYPE)				
MATERIAL		SIZE	CAGE CODE	DRAWING NO	RESTRICTED TO	
		A3	00779	C-1932180	-	
		SCALE 2:1		SHEET 3 OF 5		REV B1

THIS DRAWING IS UNPUBLISHED. RELEASED FOR PUBLICATION OCT , 2001.  
 © COPYRIGHT 2001 BY TYCO ELECTRONICS CORPORATION. ALL RIGHTS RESERVED.

LOC	DIST	REVISIONS			
P	LTR	DESCRIPTION	DATE	DWN	APVD
ES		SEE SHEET 1	-	-	-

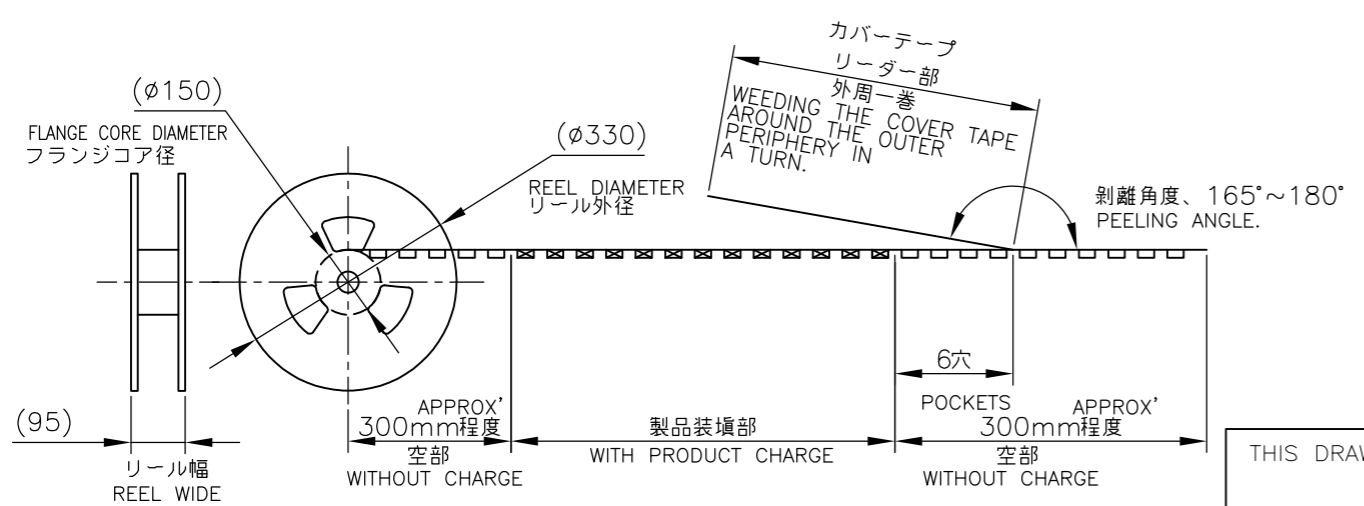
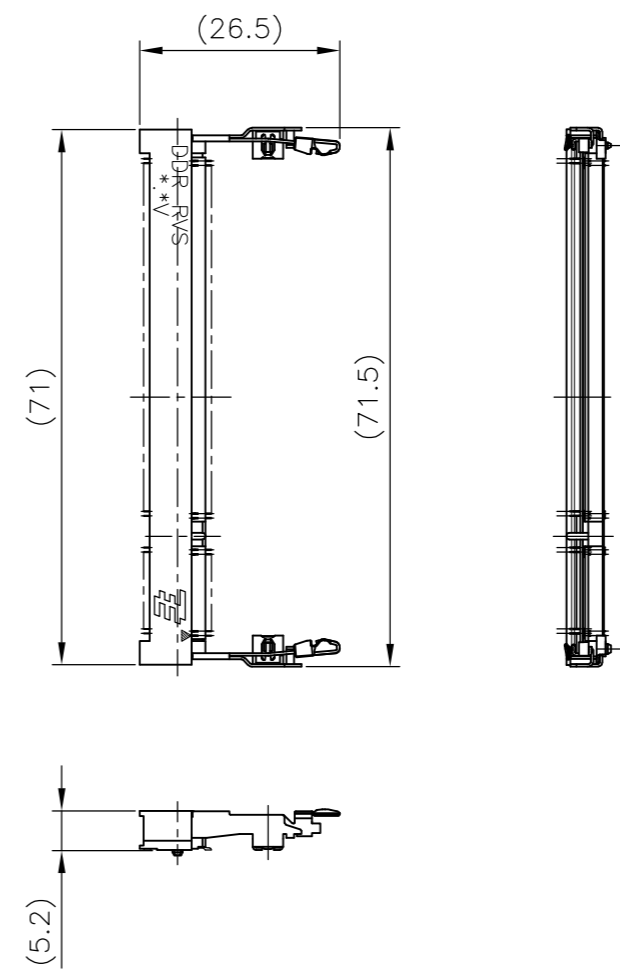
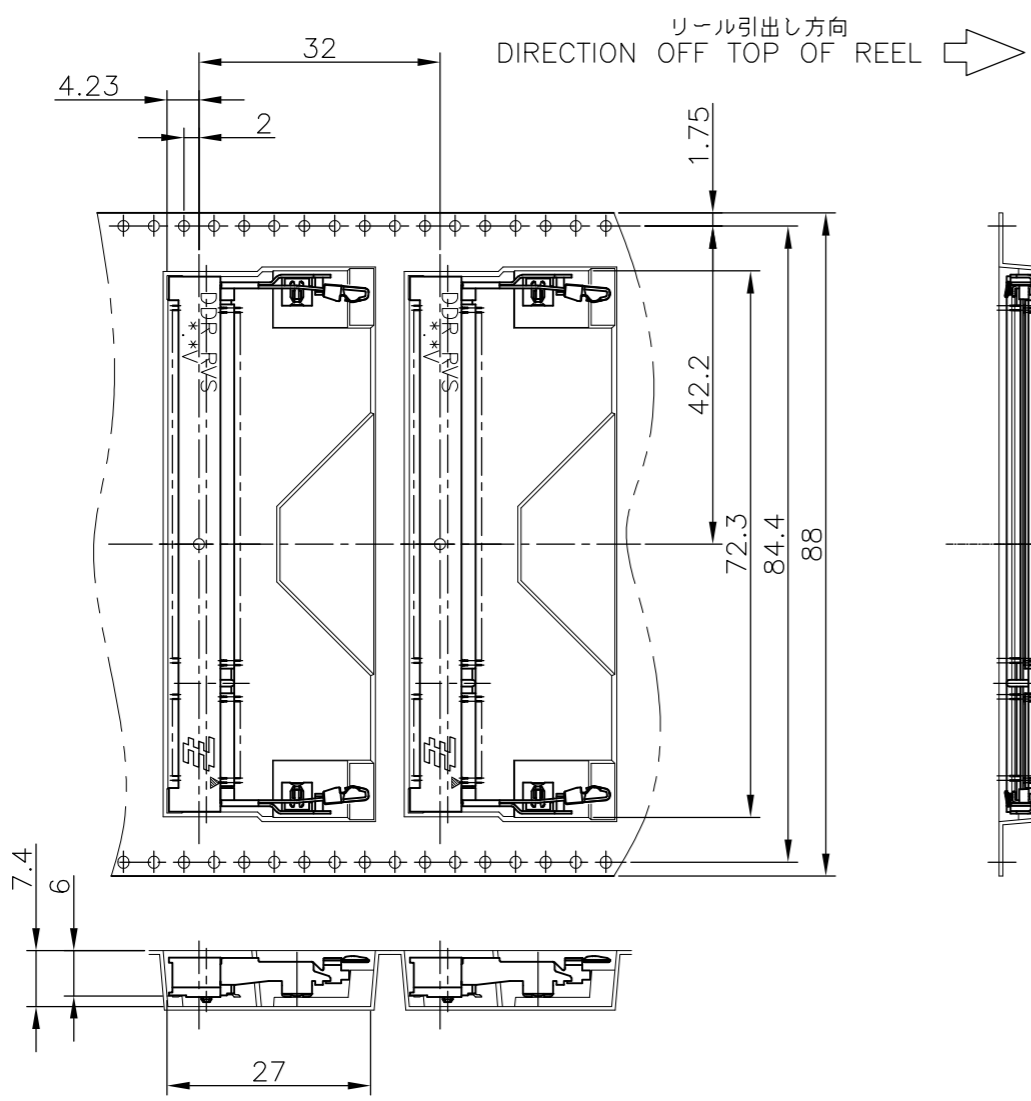


- (APPLIED TO SHEET 4)
1. THE DIRECTION OF EACH CONNECTOR ON A TRAY IS REFERRED TO THIS DRAWING.
  2. GENERAL TOLERANCE: ±0.5

THIS DRAWING IS A CONTROLLED DOCUMENT.		DWN	Tyco Electronics Corporation Shanghai, P.R.China, 200233			
DIMENSIONS: MM		CHK				
TOLERANCES UNLESS OTHERWISE SPECIFIED:		APVD	NAME			
0 PLC ±		PRODUCT SPEC	DDR2 SODIMM SOCKET			
1 PLC ±		APPLICATION SPEC	0.6mm PITCH 200POS			
2 PLC ±		WEIGHT	STANDARD PROFILE REVERSE TYPE (NEW PEG TYPE)			
3 PLC ±		CUSTOMER DRAWING	SIZE	CAGE CODE	DRAWING NO	RESTRICTED TO
4 PLC ±			A3	00779	1932180	-
ANGLES ±		SCALE	SHEET		REV	
FINISH		1:2	4 OF 5		B1	

THIS DRAWING IS UNPUBLISHED. RELEASED FOR PUBLICATION OCT., 2001.  
 © COPYRIGHT 2001 BY TYCO ELECTRONICS CORPORATION. ALL RIGHTS RESERVED.

LOC	DIST	REVISIONS					
		P	LTR	DESCRIPTION	DATE	DWN	APVD
ES			-	SEE SHEET 1	-	-	-



1.8V (DDR2)	150EA/REEL	1932180-2
POWER SUPPLY (TYPE)	QTY	P/N

THIS DRAWING IS A CONTROLLED DOCUMENT.		DWN	Tyco Electronics Corporation Shanghai, P.R. China, 200233	
DIMENSIONS: MM		CHK		
		APVD	NAME	
TOLERANCES UNLESS OTHERWISE SPECIFIED:		PRODUCT SPEC	DDR2 SODIMM SOCKET	
0 PLC ± 0.3		APPLICATION SPEC	0.6mm PITCH 200POS	
1 PLC ± 0.3		WEIGHT	STANDARD PROFILE REVERSE TYPE (NEW PEG TYPE)	
2 PLC ± 0.3		CUSTOMER DRAWING	SIZE	RESTRICTED TO
3 PLC ± 0.3			A3	-
4 PLC ± 0.3			CAGE CODE	DRAWING NO
ANGLES ± 5'			00779	1932180
FINISH			SCALE	SHEET
			1:1	5 OF 5
			REV	B1

# Mouser Electronics

Authorized Distributor

Click to View Pricing, Inventory, Delivery & Lifecycle Information:

[TE Connectivity:](#)

[1932180-2](#)