

THIS DRAWING IS UNPUBLISHED.

RELEASED FOR PUBLICATION

ALL RIGHTS RESERVED.

© COPYRIGHT - By -

LOC J DIST -

REVISIONS

変更

DESCRIPTION

DATE

DWN

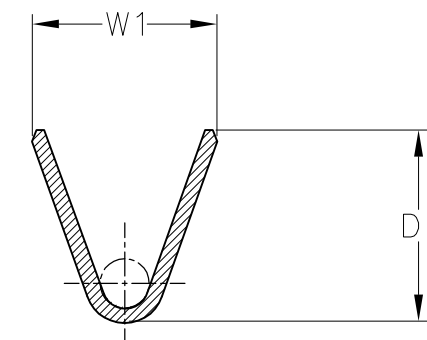
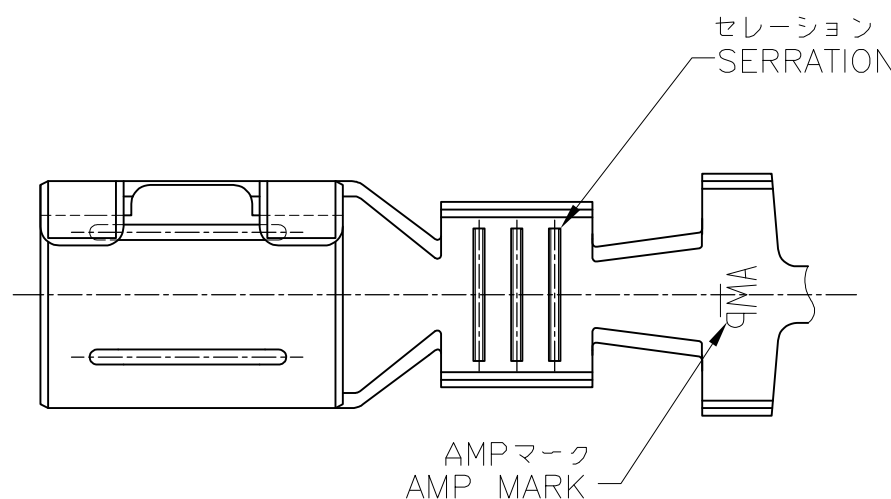
APVD

P LTR P REVISED PER ECO-11-005140

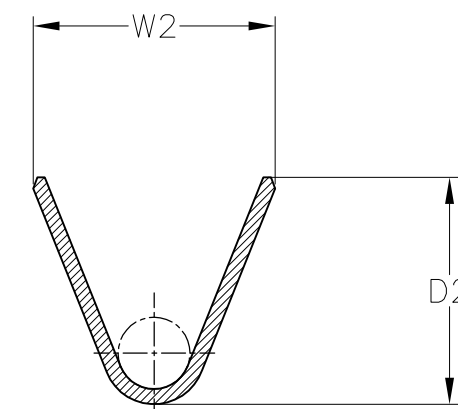
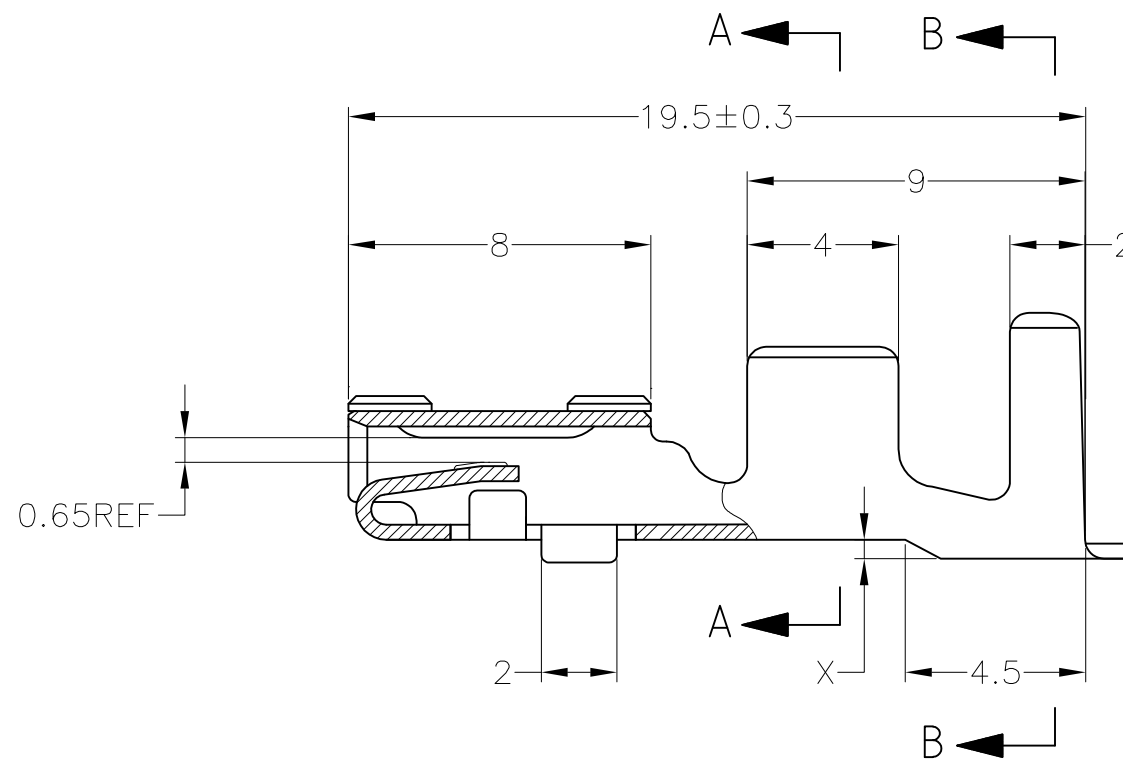
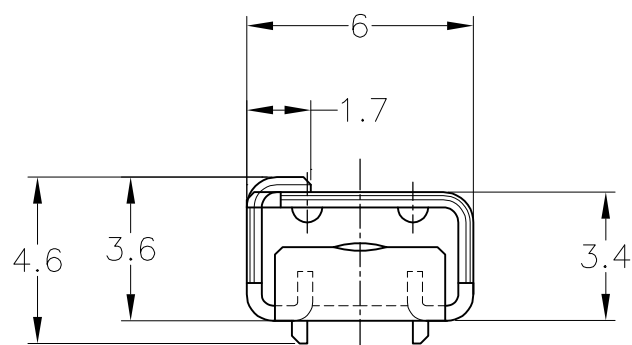
28MAR11

RK

HMR



A-A



B-B

1. APPLIED TAB CONTACT: 175087-1 (M), 175088-1 (L)

1. 適合タブコンタクト: 175087-1 (M), 175088-1 (L)

2~3	5.5	4.7	6.9	4.9	0.8	Pre Tin	BRASS 0.4t	175091-1
0.5~1.25	4.3	3.4	5.7	3.6	0.6	Pre Tin	BRASS 0.4t	175090-1
WIRE RANGE (mm ²)	D2	D1	W2	W1	X	FINISH	MATERIAL	PART NUMBER

THIS DRAWING IS A CONTROLLED DOCUMENT.

DWN M.SUGAWARA 15DEC06

CHK T.SHINOHARA 15DEC06

APVD K.BETSUI 15DEC06

PRODUCT SPEC 製品規格

APPLICATION SPEC 取付適用規格

114-5126

WEIGHT -

CUSTOMER DRAWING

STE TE Connectivity

187 SERIES SEALED CONNECTOR RECEPTACLE CONTACT

SIZE	CAGE CODE	DRAWING NO 番号	RESTRICTED TO
A3	00779	C-175090	-

TOLERANCES UNLESS OTHERWISE SPECIFIED: 一般公差	
10 _±	±0.2
30 _± > 10	±0.25
100 _± > 30	±0.3
ANGLE	±3°

DIMENSIONS: 単位: 耗 mm	TOLERANCES UNLESS OTHERWISE SPECIFIED: 一般公差
0 PLC ±-	1 PLC ±-
2 PLC ±-	3 PLC ±-
4 PLC ±-	ANGLES ±-
MATERIAL 材料	FINISH 仕上
SEE TABLE	SEE TABLE

TOLERANCES UNLESS OTHERWISE SPECIFIED: 一般公差	
10 _±	±0.2
30 _± > 10	±0.25
100 _± > 30	±0.3
ANGLE	±3°

SCALE 尺度	SHEET	REV
5:1	1 OF 1	P

Mouser Electronics

Authorized Distributor

Click to View Pricing, Inventory, Delivery & Lifecycle Information:

[TE Connectivity:](#)

[175090-1](#) [175090-1 \(Loose Piece\)](#)